

## SUMMARY

### # Wires



*Image is for illustrative purpose only*

Series	2S
Termination type	No contacts / Accessory
IP rating	0
AWG wire size	0.00 - 0.00
Cable Ø	0.00 - 0.00 mm
Status	active

### Download

[Request a quote](#)

[Catalog](#)

## TECHNICAL DETAILS

### Mechanics

Shell Style/Model	GRA*: Insulating washer
Keying	No keying
Housing Material	PEEK (Polyetheretherketone) shell and collet nut, nickel plated [SAE AMS QQ N 290] brass latch sleeve and mid pieces
Weight	.26 g

### Performance

- Configuration
- Insulator
- Rated Current

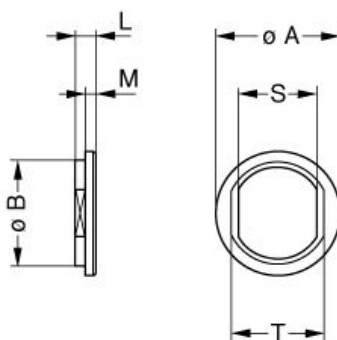
### Others

- Temp (min / max): -50°C / +90°C
- Humidity (max): <=95% [at 60 deg C / 140 F]
- Vibration: 15 g [10 Hz - 2000 Hz]
- Shock Resistance: 100 g [ 6 ms]

*LEMO products and services are provided "as is". LEMO makes no warranties or representations with regard to LEMO product & services or use of them, express, implied or statutory, including for accuracy, completeness, or security. The user is fully responsible for his products and applications using LEMO components.*

Climatical Category: 50/175/21  
Shielding (min): 75 dB (10 MHz)  
Shielding (min): 40 dB (1 GHz)

## DRAWINGS



**No keying**

### Dimensions

	A	B	L	M	S	T
mm.	21.1	17.9	2.3	1.3	13.6	16.2
in.	0,83	0,70	0,09	0,05	0,54	0,64

## RECOMMENDED BY LEMO

### Tools

*LEMO products and services are provided "as is". LEMO makes no warranties or representations with regard to LEMO product & services or use of them, express, implied or statutory, including for accuracy, completeness, or security. The user is fully responsible for his products and applications using LEMO components.*