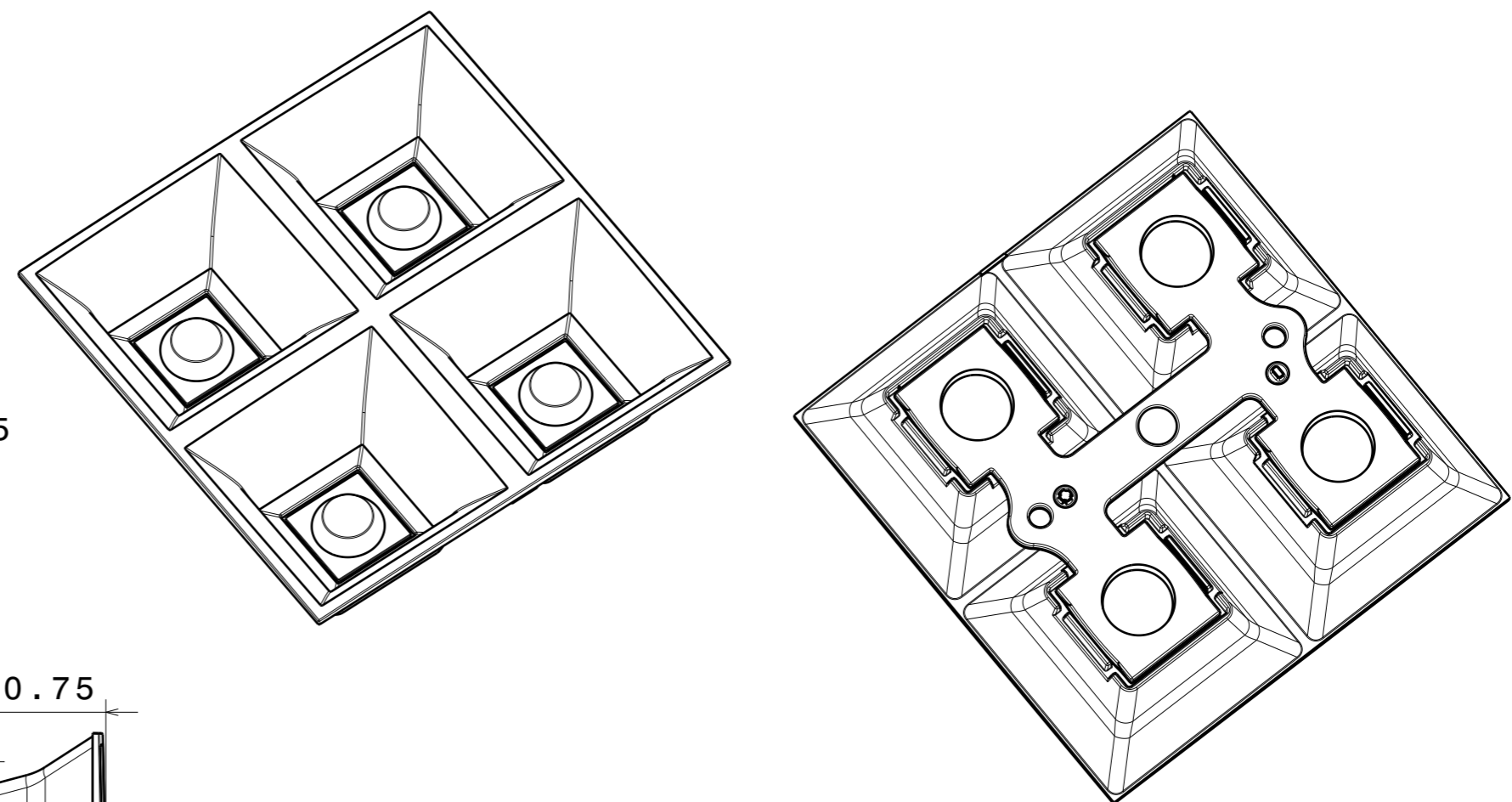


**Notes**

- PCB or heatsink level.
- LED location
- Ensure LED fitting from a product specific 3D model available from [www.ledil.com](http://www.ledil.com)
- For more details about installation please see LEDiL Installation Guide on [www.ledil.com](http://www.ledil.com)



CN16868\_\_DAISY-2x2-WW\_Datasheet

**COMPONENTS**

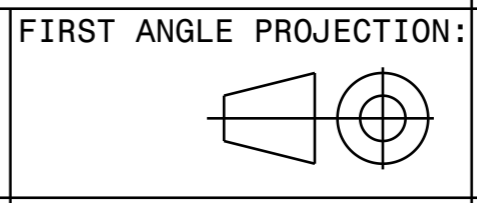
INDEX	PART	TYPE	MATERIAL	COLOR / COATING
1	C16866__DAISY-2x2-SHD_MechanicalModel		PC	Black
2	C16862__Daisy-2x2-WW_MechanicalModel		PMMA	Clear

**MECHANICAL DRAWING**

PRODUCT **DAISY**



Plastic moulding general tolerances according to DIN 16901-130 and applies if not otherwise shown in the drawing.  
 Silicone moulding general tolerances according to ISO 3302-1 Class M3 and applies if not otherwise shown in the drawing.



This drawing is the property of LEDiL Oy. It may not be copied or otherwise distributed without prior written permission from LEDiL Oy.

SCALE	1:1	WEIGHT	29,7 g	A3	SHEET 1/1
-------	-----	--------	--------	----	-----------