

## Evaluating the ADMV8416 and ADMV8432 Tunable Band-Pass Filters

### FEATURES

- Enables quick breadboarding and prototyping
- User defined circuit configuration
- End launch 2.4 mm connector provisions
- Easy connection to test equipment and other circuits

### GENERAL DESCRIPTION

The ADMV8416-EVALZ/ADMV8432-EVALZ evaluation boards aid in the evaluation of the [ADMV8416](#) and [ADMV8432](#) band-pass filters with selectable pass band frequency.

The ADMV8416-EVALZ/ADMV8432-EVALZ evaluation boards have end launch 2.4 mm connectors on both the input and the output to allow an efficient connection to test equipment and other circuitry.

Optimized power and ground planes ensure low noise and high speed operation. Component placement and power supply bypassing are optimized for maximum circuit flexibility and performance.

All components are placed on the primary side. No components are placed on the secondary side (see Figure 1 and Figure 2). Note that the ADMV8432-EVALZ evaluation board is labeled ADMV8416-EVALZ. The [ADMV8416](#) and [ADMV8432](#) are evaluated using the same printed circuit board (PCB).

The [ADMV8416](#) and [ADMV8432](#) data sheets, available at [www.analog.com](http://www.analog.com), provide full specifications for the [ADMV8416](#) and [ADMV8432](#). Consult the [ADMV8416](#) and [ADMV8432](#) data sheets in conjunction with this user guide when using the evaluation boards.

### ADMV8416-EVALZ/ADMV8432-EVALZ EVALUATION BOARD PHOTOGRAPHS

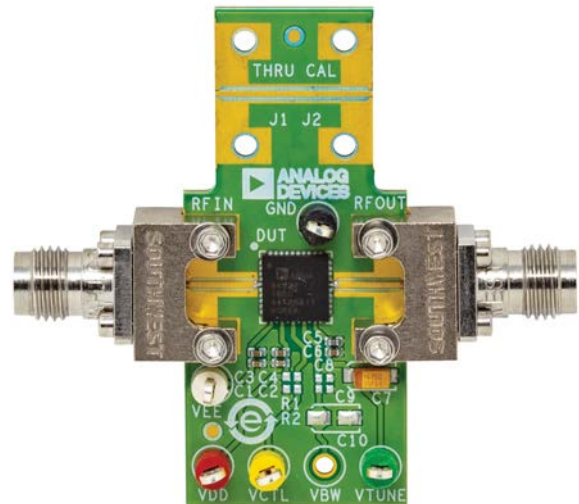


Figure 1. ADMV8416-EVALZ Primary Side

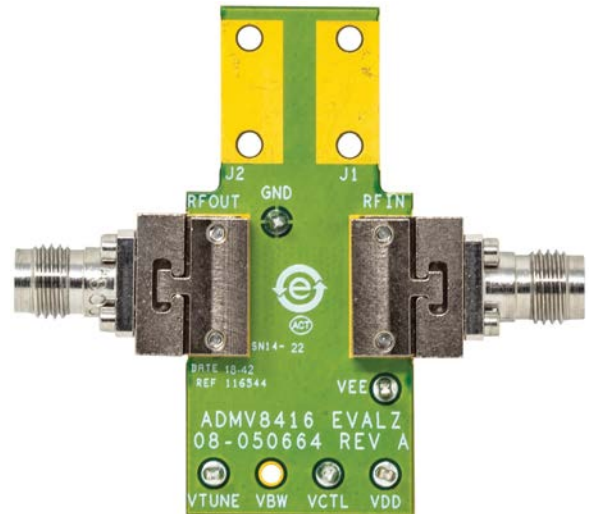


Figure 2. ADMV8416-EVALZ Secondary Side

**TABLE OF CONTENTS**

Features .....	1	Power Supply Setup.....	3
General Description .....	1	Filter Control .....	3
ADMV8416-EVALZ/ADMV8432-EVALZ Evaluation Board Photographs.....	1	Evaluation Board Stackup .....	3
Revision History .....	2	Evaluation Board Schematic and Artwork.....	4
Evaluation Board Hardware.....	3	Ordering Information.....	5
RF Connections .....	3	Bill of Materials.....	5

**REVISION HISTORY**

6/2019—Revision 0: Initial Version

## EVALUATION BOARD HARDWARE

### RF CONNECTIONS

The RF input and output of the [ADMV8416](#) and [ADMV8432](#) are accessible by connecting to the J3 and J4. A THRU CAL trace is available on the evaluation boards by means of installing end launch connectors onto J1 and J2.

### POWER SUPPLY SETUP

Connect a power supply to VDD and set the voltage to 5V. Connect a power supply to VEE and set the voltage to -5 V. Both VDD and VEE draw minimal current within the microampere range.

### FILTER CONTROL

The VCTL pin allows users to select either the low band or high band portion of the device. Connect a power supply to the VCTL pin and set the voltage to 0 V to select the high band-pass filter or set the voltage to 2.5 V to select the low band-pass filter. The center frequency is adjustable by supplying the VTUNE voltage, which varies from 0 V to 15 V.

### EVALUATION BOARD STACKUP

All RF traces are routed on Layer 1 (primary side), and all other layers are ground planes that provide a solid ground for RF transmission lines, as shown in Figure 3. The top dielectric material is Rogers 4350, offering low loss performance. The prepreg material in Layer 2 attaches the core layers together, which includes a 370HR laminate with copper traces above and below. Both the prepreg material and the Isola 370HR core layer are used to achieve the required board finish thickness.

The circuit board used in the application uses RF circuit design techniques. Signal lines must have 50 Ω impedance while the package ground leads and exposed pad must be connected directly to the ground plane (see Figure 3). Use a sufficient number of via holes to connect the top and bottom ground planes. The ADMV8416-EVALZ/ADMV8432-EVALZ evaluation boards are available from Analog Devices, Inc., upon request.

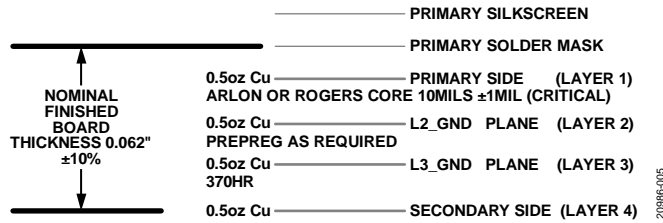


Figure 3. 4-Layer Stackup

EVALUATION BOARD SCHEMATIC AND ARTWORK

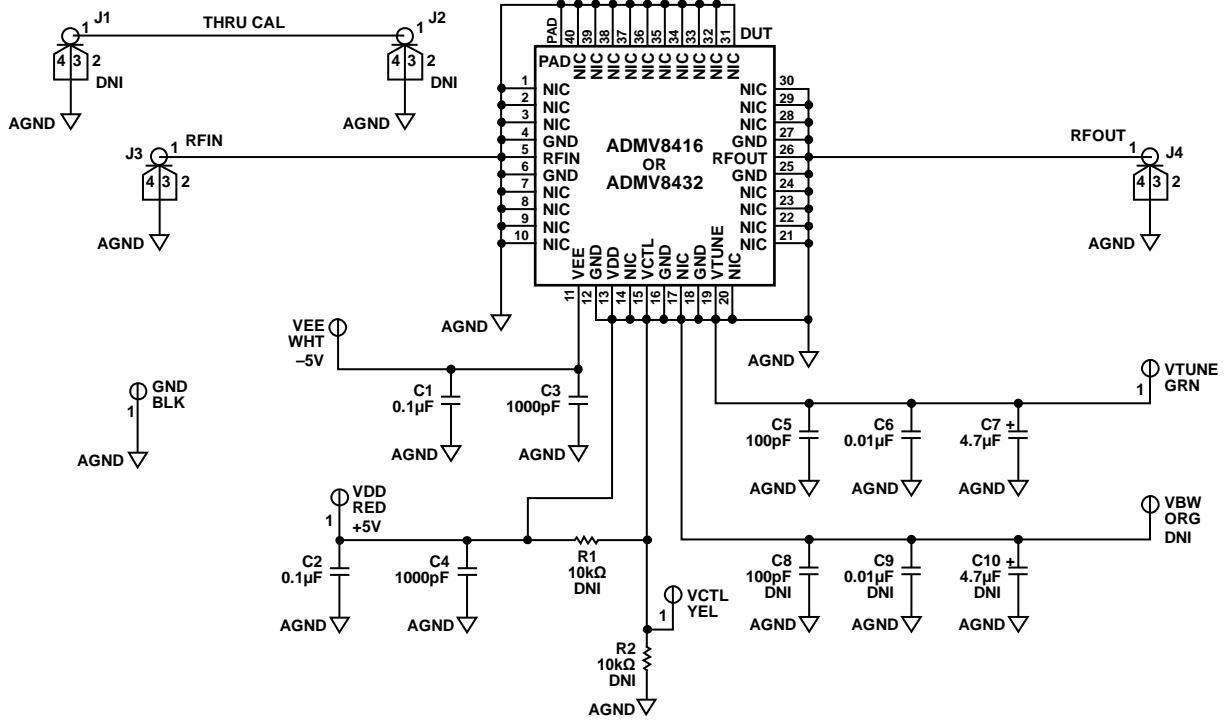


Figure 4. ADMV8416-EVALZ/ADMV8432-EVALZ Evaluation Board Schematic

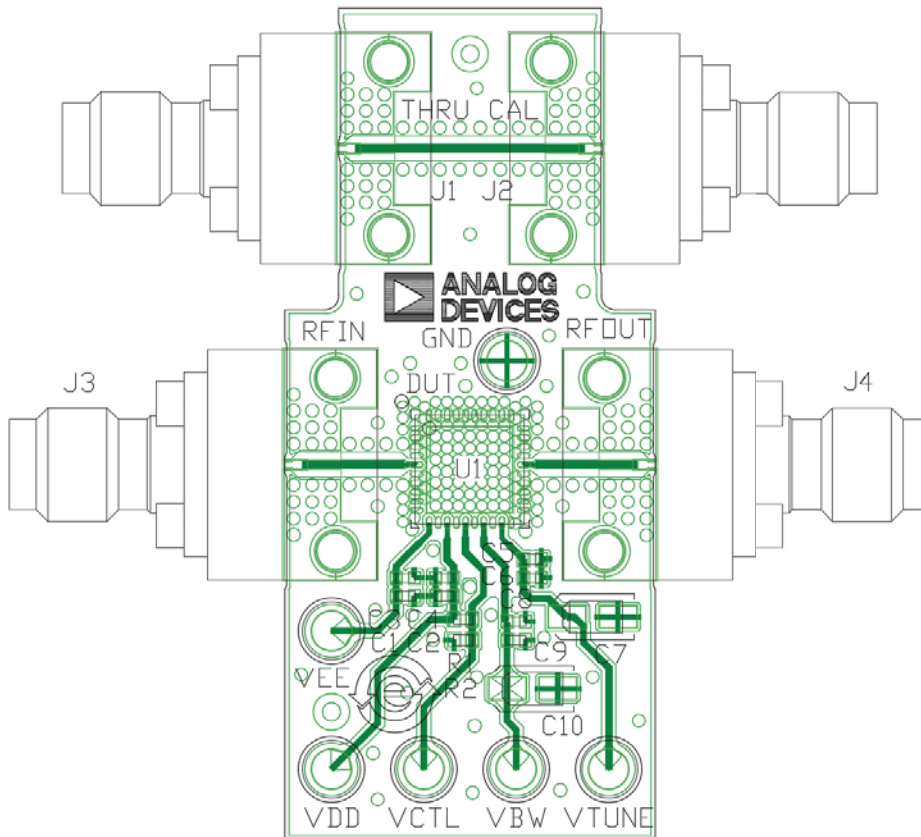


Figure 5. ADMV8416-EVALZ/ADMV8432-EVALZ Top Layer

## ORDERING INFORMATION

### BILL OF MATERIALS

Table 1.

Item	Description
J1 to J2	Unpopulated end launch connectors
J3 to J4	End launch connectors
VEE, VDD, VCTL, VTUNE, GND	Through hole mount test points
VBW	Unpopulated through hole mount test point
U1	ADMV8416 or ADMV8432
C1, C2	0.1 $\mu$ F capacitors, 0402 package
C3, C4	1000 pF capacitors, 0402 package
C5	100 pF capacitors, 0402 package
C6	0.01 $\mu$ F capacitors, 0402 package
C7	4.7 $\mu$ F capacitors, 3216 package
C8,C9	Unpopulated 0402 capacitors
C10	Unpopulated 3216 capacitor
R1, R2	Unpopulated 0402 resistors
08-050664 <sup>1</sup>	Evaluation PCB <sup>2</sup>

<sup>1</sup> Circuit board material: Arlon 25FR or Rogers 25FR.

<sup>2</sup> 08-050664 is the raw bare PCB identifier.



#### ESD Caution

**ESD (electrostatic discharge) sensitive device.** Charged devices and circuit boards can discharge without detection. Although this product features patented or proprietary protection circuitry, damage may occur on devices subjected to high energy ESD. Therefore, proper ESD precautions should be taken to avoid performance degradation or loss of functionality.

#### Legal Terms and Conditions

By using the evaluation board discussed herein (together with any tools, components documentation or support materials, the "Evaluation Board"), you are agreeing to be bound by the terms and conditions set forth below ("Agreement") unless you have purchased the Evaluation Board, in which case the Analog Devices Standard Terms and Conditions of Sale shall govern. Do not use the Evaluation Board until you have read and agreed to the Agreement. Your use of the Evaluation Board shall signify your acceptance of the Agreement. This Agreement is made by and between you ("Customer") and Analog Devices, Inc. ("ADI"), with its principal place of business at One Technology Way, Norwood, MA 02062, USA. Subject to the terms and conditions of the Agreement, ADI hereby grants to Customer a free, limited, personal, temporary, non-exclusive, non-sublicensable, non-transferable license to use the Evaluation Board FOR EVALUATION PURPOSES ONLY. Customer understands and agrees that the Evaluation Board is provided for the sole and exclusive purpose referenced above, and agrees not to use the Evaluation Board for any other purpose. Furthermore, the license granted is expressly made subject to the following additional limitations: Customer shall not (i) rent, lease, display, sell, transfer, assign, sublicense, or distribute the Evaluation Board; and (ii) permit any Third Party to access the Evaluation Board. As used herein, the term "Third Party" includes any entity other than ADI, Customer, their employees, affiliates and in-house consultants. The Evaluation Board is NOT sold to Customer; all rights not expressly granted herein, including ownership of the Evaluation Board, are reserved by ADI. CONFIDENTIALITY. This Agreement and the Evaluation Board shall all be considered the confidential and proprietary information of ADI. Customer may not disclose or transfer any portion of the Evaluation Board to any other party for any reason. Upon discontinuation of use of the Evaluation Board or termination of this Agreement, Customer agrees to promptly return the Evaluation Board to ADI. ADDITIONAL RESTRICTIONS. Customer may not disassemble, decompile or reverse engineer chips on the Evaluation Board. Customer shall inform ADI of any occurred damages or any modifications or alterations it makes to the Evaluation Board, including but not limited to soldering or any other activity that affects the material content of the Evaluation Board. Modifications to the Evaluation Board must comply with applicable law, including but not limited to the RoHS Directive. TERMINATION. ADI may terminate this Agreement at any time upon giving written notice to Customer. Customer agrees to return to ADI the Evaluation Board at that time. LIMITATION OF LIABILITY. THE EVALUATION BOARD PROVIDED HEREUNDER IS PROVIDED "AS IS" AND ADI MAKES NO WARRANTIES OR REPRESENTATIONS OF ANY KIND WITH RESPECT TO IT. ADI SPECIFICALLY DISCLAIMS ANY REPRESENTATIONS, ENDORSEMENTS, GUARANTEES, OR WARRANTIES, EXPRESS OR IMPLIED, RELATED TO THE EVALUATION BOARD INCLUDING, BUT NOT LIMITED TO, THE IMPLIED WARRANTY OF MERCHANTABILITY, TITLE, FITNESS FOR A PARTICULAR PURPOSE OR NON-INFRINGEMENT OF INTELLECTUAL PROPERTY RIGHTS. IN NO EVENT WILL ADI AND ITS LICENSORS BE LIABLE FOR ANY INCIDENTAL, SPECIAL, INDIRECT, OR CONSEQUENTIAL DAMAGES RESULTING FROM CUSTOMER'S POSSESSION OR USE OF THE EVALUATION BOARD, INCLUDING BUT NOT LIMITED TO LOST PROFITS, DELAY COSTS, LABOR COSTS OR LOSS OF GOODWILL. ADI'S TOTAL LIABILITY FROM ANY AND ALL CAUSES SHALL BE LIMITED TO THE AMOUNT OF ONE HUNDRED US DOLLARS (\$100.00). EXPORT. Customer agrees that it will not directly or indirectly export the Evaluation Board to another country, and that it will comply with all applicable United States federal laws and regulations relating to exports. GOVERNING LAW. This Agreement shall be governed by and construed in accordance with the substantive laws of the Commonwealth of Massachusetts (excluding conflict of law rules). Any legal action regarding this Agreement will be heard in the state or federal courts having jurisdiction in Suffolk County, Massachusetts, and Customer hereby submits to the personal jurisdiction and venue of such courts. The United Nations Convention on Contracts for the International Sale of Goods shall not apply to this Agreement and is expressly disclaimed.

©2019 Analog Devices, Inc. All rights reserved. Trademarks and registered trademarks are the property of their respective owners.  
UG20986-0-6/19(0)



www.analog.com