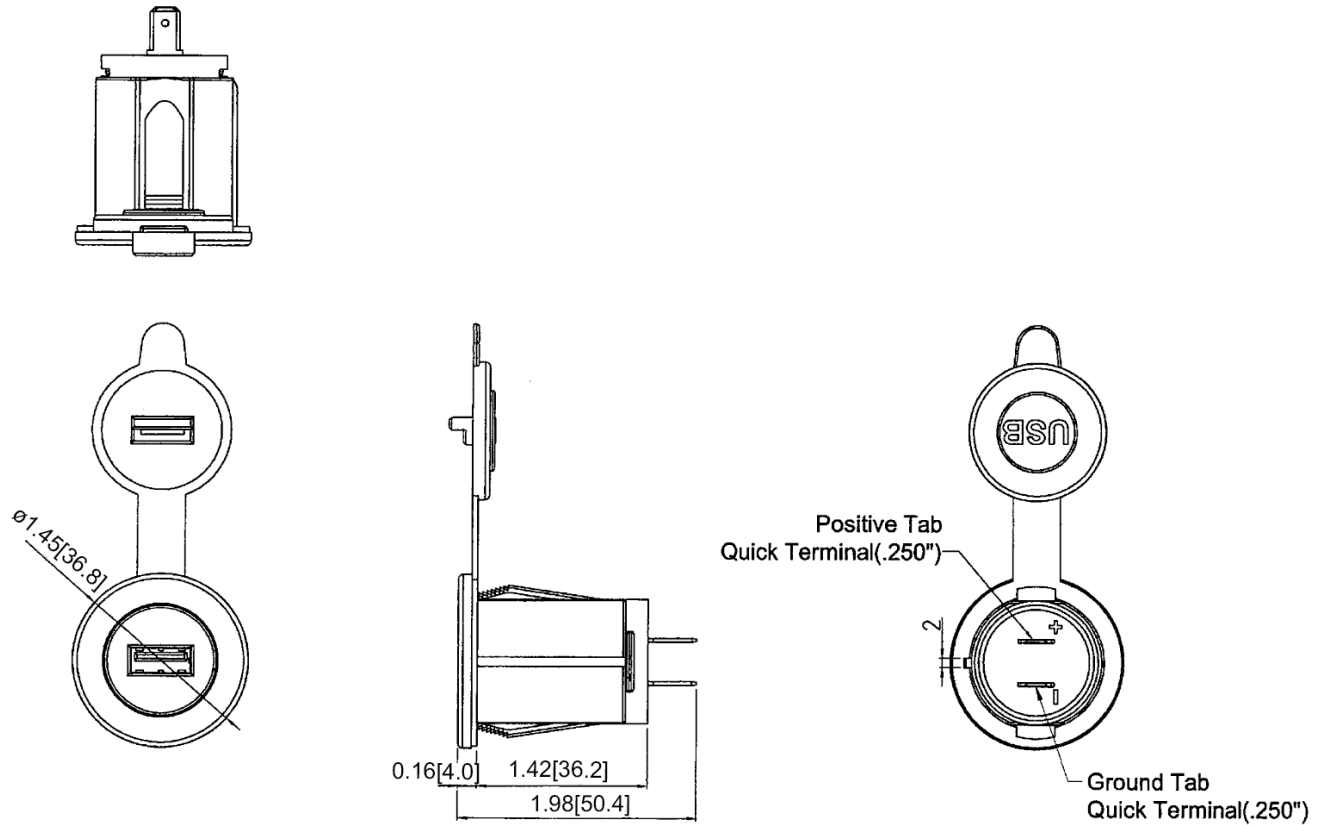
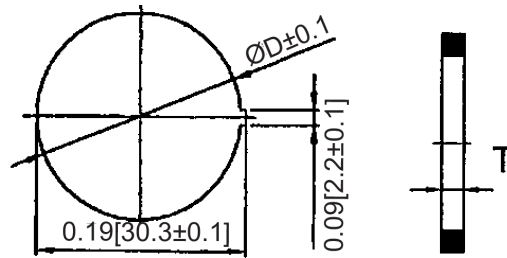


Mechanical Dimensions: Inches [mm]

Tolerances ± 0.012 [0.3] Unless Otherwise Specified



Mounting Hole



T	0.1[2.5]	0.15[3.8]	0.25[6.3]	0.29[7.3]
D	Ø1.14[29.0]	Ø1.14[29.0]	Ø1.16[29.5]	Ø1.17[29.8]

Electrical Specifications

Input Rating	12/24V
Output Rating	5V 2.1A max DC
Insulation Resistance	DC 500V 100M ohms
Dielectric Strength	AC 1500V 1 min
Operating Temperature	-20°C ~ 45°C

Material Specifications

	LED power indicator inside
Housing	Nylon with Fiberglass (UL94-HB), Black
Cap	PVC

Rev Date of issue Revision Notes

Designed Approved

A	12-03-2020	Initial Drawing	RC	OF
---	------------	-----------------	----	----