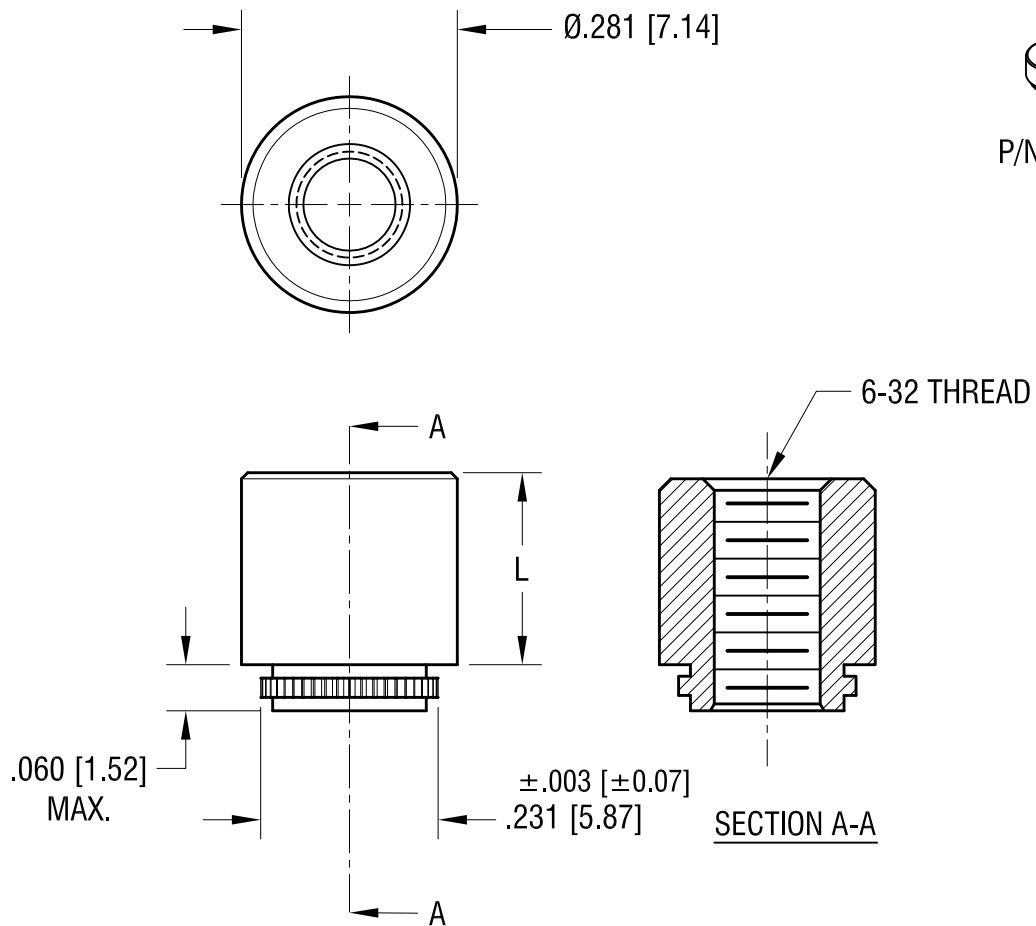


THIS DOCUMENT IS THE PROPERTY OF  
KEYSTONE ELECTRONICS CORP. AND  
SHALL NOT BE REPRODUCED, DISTRIBUTED  
OR USED AS A BASIS FOR MANUFACTURE  
WITHOUT PRIOR WRITTEN PERMISSION  
FROM KEYSTONE ELECTRONICS CORP.

ACTUAL SIZE



P/N 4867



PART NO.	'L' DIM.
4866	.065 [1.65]
4867	.125 [3.18]
4868	.250 [6.35]
4869	.375 [9.53]

<b>KEYSTONE ELECTRONICS CORP.</b>			
www.keyelco.com • NEW HYDE PARK NY 11040 • Tel (516)328-7500			
PART NAME FORCE-FIT STANDOFF, THREADED			
MATERIAL STAINLESS STEEL			
FINISH NONE		DRN BY BOONE	DATE 10.10.96
		APP'D LN	SCALE 4X
TOLERANCES INCH [MM] DECIMAL ± .005 [± 0.13 ] ANGULAR ± 1° UNLESS OTHERWISE SPECIFIED	CODE C	DWG NO. <b>4866 - 4869</b>	

11.22.21	CHANGE AS PER ECN21-148	B
12.19.05	CHANGE AS PER ECN 05-086	A
DATE	DESCRIPTION	REV.