

Signal isolator - MACX MCR-EX-SL-RPSS-2I-2I-SP - 2924676

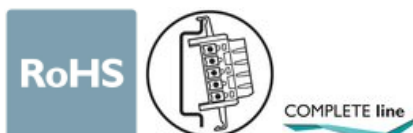
Please be informed that the data shown in this PDF Document is generated from our Online Catalog. Please find the complete data in the user's documentation. Our General Terms of Use for Downloads are valid (<http://phoenixcontact.com/download>)



Ex i measuring transducer repeater power supply, 2-channel, HART-transparent. Supplies Ex i 2-conductor measuring transducers and transmits the 4...20 mA signal from the Ex area to the safe area. 5-way electrical isolation, Push-in connection, up to SIL 3, PL.

Your advantages

- ✓ 2-channel
- ✓ 4 mA ... 20 mA input, intrinsically safe, [Ex ia], powered
- ✓ Output 4 mA ... 20 mA, active
- ✓ HART-compatible
- ✓ Error indication according to NAMUR NE 43
- ✓ Up to SIL 3 according to IEC/EN 61508
- ✓ 5-way electrical isolation
- ✓ Power supply possible via DIN rail connector
- ✓ Installation in Ex zone 2 permitted
- ✓ Plug-in connection terminals, push-in connection technology
- ✓ Housing width: 12.5 mm
- ✓ Minimal power dissipation
- ✓ High transmission accuracy



Key Commercial Data

Packing unit	1 pc
GTIN	
GTIN	4046356665483

Technical data

Note

Utilization restriction	EMC: class A product, see manufacturer's declaration in the download area
-------------------------	---

Dimensions

Signal isolator - MACX MCR-EX-SL-RPSS-2I-2I-SP - 2924676

Technical data

Dimensions

Width	12.5 mm
Height	116 mm
Depth	113.7 mm
	114.5 mm (Snapped onto DIN rail NS 35/7,5 in accordance with EN 60715)

Ambient conditions

Ambient temperature (operation)	-20 °C ... 60 °C (Any mounting position)
Ambient temperature (storage/transport)	-40 °C ... 80 °C
Maximum altitude	≤ 2000 m
Permissible humidity (operation)	10 % ... 95 % (non-condensing)
Degree of protection	IP20 (not assessed by UL)
Noise immunity	EN 61000-6-2 When being exposed to interference, there may be minimal deviations.

Input data

Signal input	Intrinsically safe
Current input signal	4 mA ... 20 mA
Transmitter supply voltage	> 16 V (at 20 mA)
Underload/overload signal range	0 mA ... 24 mA

Output data

Signal output	Current output
Current output signal	4 mA ... 20 mA (active)
Transmission Behavior	1:1 to input signal
Load/output load current output	≤ 450 Ω (20 mA)
	≤ 375 Ω (24 mA)
Output behavior in the event of an error	< 3.6 mA (In the event of cable break at the input (as per NE 43))
	> 22.5 mA (In the event of cable short circuit at the input (as per NE 43))

Power supply

Nominal supply voltage	24 V DC
Supply voltage range	19.2 V DC ... 30 V DC (24 V DC -20%...+25%)
Max. current consumption	< 100 mA (24 V / 20 mA)
Power dissipation	< 1.4 W (at 24 V DC / 20 mA)

Connection data

Connection method	Push-in connection
Stripping length	8 mm
Conductor cross section solid	0.2 mm ² ... 1.5 mm ²
Conductor cross section flexible	0.2 mm ² ... 1.5 mm ²
Conductor cross section AWG	24 ... 16

Connection data 2

Connection name	Test socket
-----------------	-------------

Signal isolator - MACX MCR-EX-SL-RPSS-2I-2I-SP - 2924676

Technical data

Connection data 2

Max. diameter	2.3 mm
---------------	--------

General

No. of channels	2
Maximum transmission error	< 0.1 % (of final value)
Transmission error, typical	< 0.05 % (of final value)
Maximum temperature coefficient	< 0.01 %/K
Step response (10-90%)	< 1.3 ms (for 4 mA ... 20 mA step)
Status display	Green LED (supply voltage)
Degree of pollution	2
Overvoltage category	II
Electromagnetic compatibility	Conformance with EMC directive
Interference emission	EN 61000-6-4
Housing material	PA 6.6-FR
Color	gray
Designation	Input/output, power supply
Rated insulation voltage	300 V _{rms}
Test voltage	2.5 kV AC (50 Hz, 1 min.)
Insulation	Safe isolation in accordance with IEC/EN 61010-1
Designation	Input/output
Electrical isolation	375 V (Peak value in accordance with IEC/EN 60079-11)
Designation	Input/power supply
Electrical isolation	375 V (Peak value in accordance with IEC/EN 60079-11)
Designation	Output 1/output 2/ power supply
Test voltage	1.5 kV AC (50 Hz, 1 min.)

Data communication (bypass)

HART function	Yes
Protocols supported	HART

Safety data

Max. output voltage U _o	25.2 V
Max. output current I _o	93 mA
Max. output power P _o	587 mW
Group	IIC
Max. external inductivity L _o	2 mH
Max. external capacitance C _o	107 nF
Additional text	simple circuit
Group	IIC
Max. external inductivity L _o	2 mH
Max. external capacitance C _o	49 nF
Additional text	mixed circuit

Signal isolator - MACX MCR-EX-SL-RPSS-2I-2I-SP - 2924676

Technical data

Safety data

Group	IIC
Max. external inductivity L _o	1 mH
Max. external capacitance C _o	63 nF
Additional text	mixed circuit
Group	IIC
Max. external inductivity L _o	500 µH
Max. external capacitance C _o	80 nF
Additional text	mixed circuit
Group	IIC
Max. external inductivity L _o	200 µH
Max. external capacitance C _o	107 nF
Additional text	mixed circuit
Group	IIB
Max. external inductivity L _o	4 mH
Max. external capacitance C _o	820 nF
Additional text	simple circuit
Group	IIB
Max. external inductivity L _o	4 mH
Max. external capacitance C _o	370 nF
Additional text	mixed circuit
Group	IIB
Max. external inductivity L _o	1 mH
Max. external capacitance C _o	430 nF
Additional text	mixed circuit
Group	IIB
Max. external inductivity L _o	500 µH
Max. external capacitance C _o	510 nF
Additional text	mixed circuit
Group	IIB
Max. external inductivity L _o	200 µH
Max. external capacitance C _o	660 nF
Additional text	mixed circuit
Group	IIB
Max. external inductivity L _o	100 µH
Max. external capacitance C _o	820 nF
Additional text	mixed circuit
Safety-related maximum voltage U _m	253 V AC (125 V DC)

Standards and Regulations

Electromagnetic compatibility	Conformance with EMC directive
-------------------------------	--------------------------------

Signal isolator - MACX MCR-EX-SL-RPSS-2I-2I-SP - 2924676

Technical data

Standards and Regulations

Noise emission	EN 61000-6-4
Designation	GB Standard
Standards/regulations	GB 3626.20
	GB 3836.1
	GB 3836.4
	GB 3836.8
	GB 12476.1
	GB 12476.4
Group	IIC
	IIC
	IIC
	IIC
	IIC
	IIB

Conformance/approvals

Designation	CE
Certificate	CE-compliant
Additional text	and EN 61326
Designation	ATEX
Identification	# II (1) G [Ex ia Ga] IIC
	# II (1) D [Ex ia Da] IIIC
	# II 3(1) G Ex nA [ia Ga] IIC T4 Gc
Certificate	BVS 13 ATEX E 001 X
Designation	IECEX
Identification	[Ex ia Ga] IIC
	[Ex ia Da] IIIC
	Ex nA [ia Ga] IIC T4 Gc
Certificate	IECEX BVS 13.0007X
Designation	CCC / China-Ex
Identification	[Ex ia Ga] IIC
	[Ex iaD]
	Ex nA [ia Ga] IIC T4 Gc
Certificate	NEPSI GYJ20.1307X
Designation	UL, USA/Canada
Identification	IS for Class I, II, III Div 1
	Class I, Div. 2
Certificate	#, C.D.-No 83104549
Designation	UL, USA/Canada
Identification	Class I Div 2; IS for Class I, II, III Div 1
Certificate	#, C.D.-No 83104549

Signal isolator - MACX MCR-EX-SL-RPSS-2I-2I-SP - 2924676

Technical data

Conformance/approvals

Designation	KC-s
Identification	[Ex ia] IIC/IIB
Certificate	17-KA4BO-0401X
Designation	Shipbuilding approval
Certificate	DNV GL TAA000020C
Designation	Safety Integrity Level (SIL, IEC 61508)
Identification	3
Designation	Performance Level (ISO 13849)
Identification	d
Designation	EAC Ex
Identification	# [Ex ia Ga] IIC
	# [Ex ia Da] IIIC
Certificate	RU C-DE.AB72.B.00093/19
Designation	INMETRO
Identification	[Ex ia Ga] IIC/IIB
	[Ex ia Da] IIIC
	Ex nA [ia Ga] IIC/IIB T4 Gc
Certificate	DNV 18.0140 X
Temperature	B
Humidity	B
Vibration	A
EMC	A
Enclosure	Required protection according to the Rules shall be provided upon installation on board

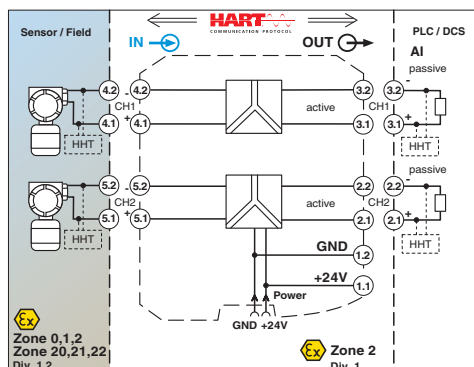
Environmental Product Compliance

REACH SVHC	Lead 7439-92-1
China RoHS	Environmentally Friendly Use Period = 50 years
	For details about hazardous substances go to tab "Downloads", Category "Manufacturer's declaration"

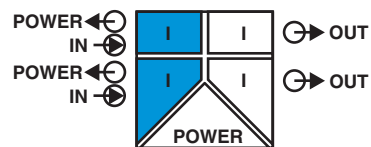
Drawings

Signal isolator - MACX MCR-EX-SL-RPSS-2I-2I-SP - 2924676

Block diagram



Pictogram



Classifications

eCl@ss

eCl@ss 10.0.1	27210120
eCl@ss 11.0	27210120
eCl@ss 4.0	27210100
eCl@ss 4.1	27210100
eCl@ss 5.0	27210100
eCl@ss 5.1	27210100
eCl@ss 6.0	27210100
eCl@ss 7.0	27210120
eCl@ss 9.0	27210120

ETIM

ETIM 4.0	EC002653
ETIM 6.0	EC002653
ETIM 7.0	EC002653

UNSPSC

UNSPSC 6.01	30211506
UNSPSC 7.0901	39121008
UNSPSC 11	39121008
UNSPSC 12.01	39121008
UNSPSC 13.2	39121008
UNSPSC 18.0	39121008
UNSPSC 19.0	39121008
UNSPSC 20.0	39121008
UNSPSC 21.0	39121008

Signal isolator - MACX MCR-EX-SL-RPSS-2I-2I-SP - 2924676

Approvals

Approvals

Approvals

UL Listed / cUL Listed / Functional Safety / DNV GL / CCC / cULus Listed

Ex Approvals

KC-s / IECEx / UL Listed / cUL Listed / EAC Ex / ATEX / INMETRO / cULus Listed

Approval details

UL Listed		http://database.ul.com/cgi-bin/XYV/template/LISEXT/1FRAME/index.htm	FILE E 330267
-----------	--	---	---------------

cUL Listed		http://database.ul.com/cgi-bin/XYV/template/LISEXT/1FRAME/index.htm	FILE E 330267
------------	--	---	---------------

Functional Safety			BVS Pb 04/13
-------------------	--	--	--------------

DNV GL		https://approvalfinder.dnvgl.com/	TAA000020C
--------	--	---	------------

CCC			2020322 316001580
-----	--	--	-------------------

cULus Listed			
--------------	--	--	--

Accessories

Accessories

Device marking

Signal isolator - MACX MCR-EX-SL-RPSS-2I-2I-SP - 2924676

Accessories

Plastic label - UC-EMLP (11X9) - 0819291



Plastic label, Sheet, white, unlabeled, can be labeled with: BLUEMARK ID COLOR, BLUEMARK ID, BLUEMARK CLED, PLOTMARK, CMS-P1-PLOTTER, mounting type: adhesive, lettering field size: 11 x 9 mm, Number of individual labels: 10

Plastic label - UC-EMLP (11X9) YE - 0822602



Plastic label, Sheet, yellow, unlabeled, can be labeled with: BLUEMARK ID COLOR, BLUEMARK ID, BLUEMARK CLED, PLOTMARK, CMS-P1-PLOTTER, mounting type: adhesive, lettering field size: 11 x 9 mm, Number of individual labels: 10

Plastic label - UC-EMLP (11X9) SR - 0828094



Plastic label, Sheet, silver, unlabeled, can be labeled with: BLUEMARK ID COLOR, BLUEMARK ID, BLUEMARK CLED, PLOTMARK, CMS-P1-PLOTTER, mounting type: adhesive, lettering field size: 11 x 9 mm, Number of individual labels: 10

Plastic label - US-EMLP (11X9) - 0828789



Plastic label, Card, white, unlabeled, can be labeled with: BLUEMARK ID COLOR, BLUEMARK ID, THERMOMARK PRIME, THERMOMARK CARD 2.0, THERMOMARK CARD, mounting type: adhesive, lettering field size: 11 x 9 mm, Number of individual labels: 135

Plastic label - US-EMLP (11X9) YE - 0828871



Plastic label, Card, yellow, unlabeled, can be labeled with: BLUEMARK ID COLOR, BLUEMARK ID, THERMOMARK PRIME, THERMOMARK CARD 2.0, THERMOMARK CARD, mounting type: adhesive, lettering field size: 11 x 9 mm, Number of individual labels: 135

Signal isolator - MACX MCR-EX-SL-RPSS-2I-2I-SP - 2924676

Accessories

Plastic label - US-EMLP (11X9) SR - 0828872



Plastic label, Card, silver, unlabeled, can be labeled with: BLUEMARK ID COLOR, BLUEMARK ID, THERMOMARK PRIME, THERMOMARK CARD 2.0, THERMOMARK CARD, mounting type: adhesive, lettering field size: 11 x 9 mm, Number of individual labels: 135

Device marker - LS-EMLP (11X9) WH - 0831678



Device marker, Sheet, white, unlabeled, can be labeled with: TOPMARK NEO, TOPMARK LASER, mounting type: adhesive, lettering field size: 11 x 9 mm, Number of individual labels: 255

Device marker - LS-EMLP (11X9) SR - 0831705



Device marker, Sheet, silver, unlabeled, can be labeled with: TOPMARK NEO, TOPMARK LASER, mounting type: adhesive, lettering field size: 11 x 9 mm, Number of individual labels: 255

Device marker - LS-EMLP (11X9) YE - 0831732



Device marker, Sheet, yellow, unlabeled, can be labeled with: TOPMARK NEO, TOPMARK LASER, mounting type: adhesive, lettering field size: 11 x 9 mm, Number of individual labels: 255

DIN rail connector

DIN rail bus connectors - ME 6,2 TBUS-2 1,5/5-ST-3,81 GY - 2695439



DIN rail connector (TBUS), 5-pos., for bridging the supply voltage, can be snapped onto NS 35/... DIN rails according to EN 60715

Insulating sleeve

Signal isolator - MACX MCR-EX-SL-RPSS-2I-2I-SP - 2924676

Accessories

Insulating sleeve - MPS-IH WH - 0201663

Insulating sleeve, color: white



Insulating sleeve - MPS-IH RD - 0201676

Insulating sleeve, color: red



Insulating sleeve - MPS-IH BU - 0201689

Insulating sleeve, color: blue



Insulating sleeve - MPS-IH YE - 0201692

Insulating sleeve, color: yellow



Insulating sleeve - MPS-IH GN - 0201702

Insulating sleeve, color: green



Signal isolator - MACX MCR-EX-SL-RPSS-2I-2I-SP - 2924676

Accessories

Insulating sleeve - MPS-IH GY - 0201728

Insulating sleeve, color: gray



Insulating sleeve - MPS-IH BK - 0201731

Insulating sleeve, color: black



Labeled device marker

Plastic label - UC-EMLP (11X9) CUS - 0824547

Plastic label, can be ordered: by sheet, white, labeled according to customer specifications, mounting type: adhesive, lettering field size: 11 x 9 mm



Plastic label - UC-EMLP (11X9) YE CUS - 0824548

Plastic label, can be ordered: by sheet, yellow, labeled according to customer specifications, mounting type: adhesive, lettering field size: 11 x 9 mm



Plastic label - UC-EMLP (11X9) SR CUS - 0828098

Plastic label, can be ordered: by sheet, silver, labeled according to customer specifications, mounting type: adhesive, lettering field size: 11 x 9 mm, Number of individual labels: 10



Module carrier

Signal isolator - MACX MCR-EX-SL-RPSS-2I-2I-SP - 2924676

Accessories

Module carrier - TC-2D37SUB-ADIO32-2EX-P-UNI - 2904684



Universal Termination Carrier for connecting 16 two-channel MACX Analog Ex i signal conditioners to digital or analog I/O cards, via two D-SUB connectors, 37-pos. (1:1 connection)

Power module

Power and error message module - MACX MCR-PTB - 2865625



Power and fault signaling module with screw connection, including corresponding ME 17,5 TBUS 1,5/ 5-ST-3,81 GY DIN rail connector

Power and error message module - MACX MCR-PTB-SP - 2924184



Power and fault signaling module with Push-in connection, including corresponding ME 17,5 TBUS 1,5/ 5-ST-3,81 GY DIN rail connector

Programming cable

Cable adapter - GW HART USB MODEM - 1003824



USB HART modem cable for communication between a PC and HART devices, cable length: 1m.

Test plug terminal block

Test plugs - MPS-MT - 0201744



Test plugs, with solder connection up to 1 mm² conductor cross section, color: gray

Phoenix Contact 2021 © - all rights reserved
<http://www.phoenixcontact.com>

PHOENIX CONTACT GmbH & Co. KG
Flachsmarktstr. 8
32825 Blomberg
Germany
Tel. +49 5235 300
Fax +49 5235 3 41200
<http://www.phoenixcontact.com>