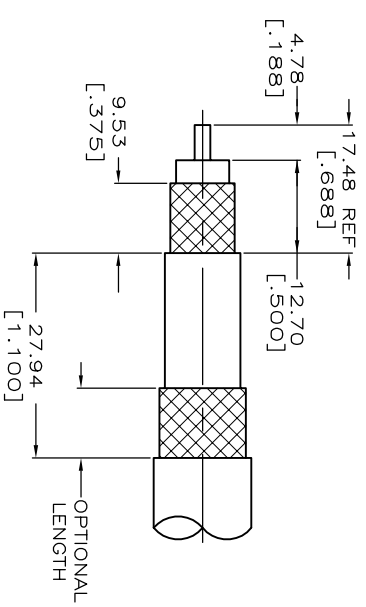
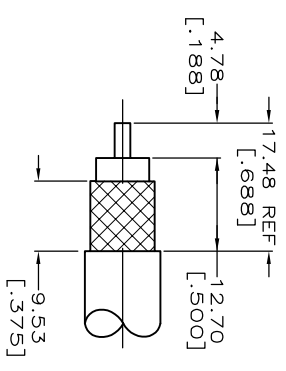


- 1. FOR USE WITH, INTERCOMP RG-11/U TYPE CABLE, .068 DIA CENTER CONDUCTOR, .285 DIA DIELECTRIC, .385 O.D. JACKET, USE STRIP LENGTH A.
- 2. FOR USE WITH, BELDEN 8213 CABLE & THE COAX PORTION OF BELDEN 9232 CABLE, USE STRIP LENGTH B.
- 3. USE CRIMPING TOOL: 220015-1.
- 4. SEE I.S. 1914-1
- 5. RG-9/U, RG-9A/U, RG-9B/U, RG-214/U, RG-8/U, RG-8A/U & RG-213/U.
- 6. OBSOLETE PARTS: OBSOLETE CIS STREAMLINING PER DRENAUD/D/SINISI



VIEW A

RECOMMENDED STRIP LENGTH  
SCALE 2:1



VIEW B

	OBSOLETE	RG-11/U	B	9-51713-0	225526-4	225887-2	225886-8
	SUPERSEDED BY	5225886-7	TIMES FM-8	B	9-51713-0	225887-6	225886-7
	OBSOLETE	A/A	A OR B, SEE CABLE	B	9-51713-0	22596-4	225886-6
	OBSOLETE	ALPHA 9847	B	51713-2	22596-4	225887-3	225886-5
	SUPERSEDED BY	5225886-4	RG-11/U	B	9-51713-2	225526-4	9-225887-0
	OBSOLETE	RG-9/U,9A/U,9B/U & 214/U	B	51713-2	225526-4	22596-2	225886-4
	SUPERSEDED BY	5225886-1	A/A	B	9-51713-4	22596-2	9-225887-0
				B			225886-1
	FOR USE WITH CABLE:		VIEW	3 FERRULE QTY=1	2 CONTACT QTY=1	1 PLUG ASSY QTY=1	PART NUMBER

THIS DRAWING IS A CONTROLLED DOCUMENT.

DATE	9-18-90	BY	J. LIPPERT
CHK	11-7-91	DATE	11-7-91

OTHER PARTS SHEETS:

NO. OF P.C.	0	NO. OF P.C.	1
NO. OF P.C.	2	NO. OF P.C.	2
NO. OF P.C.	4	NO. OF P.C.	4
NO. OF P.C.	4	NO. OF P.C.	4

APPROVALS:

APPROVED	J. LIPPERT	DATE	11-7-91
PRODUCT SPEC	108-12020	DATE	11-7-91
APPLICATION SPEC		DATE	

SIZE: A2  
CODE: 00779  
DRAWING NO: 225886

RESTRICTED TO: K/S

REV	DATE	DESCRIPTION
1	19NOV2017	LN
2		RS