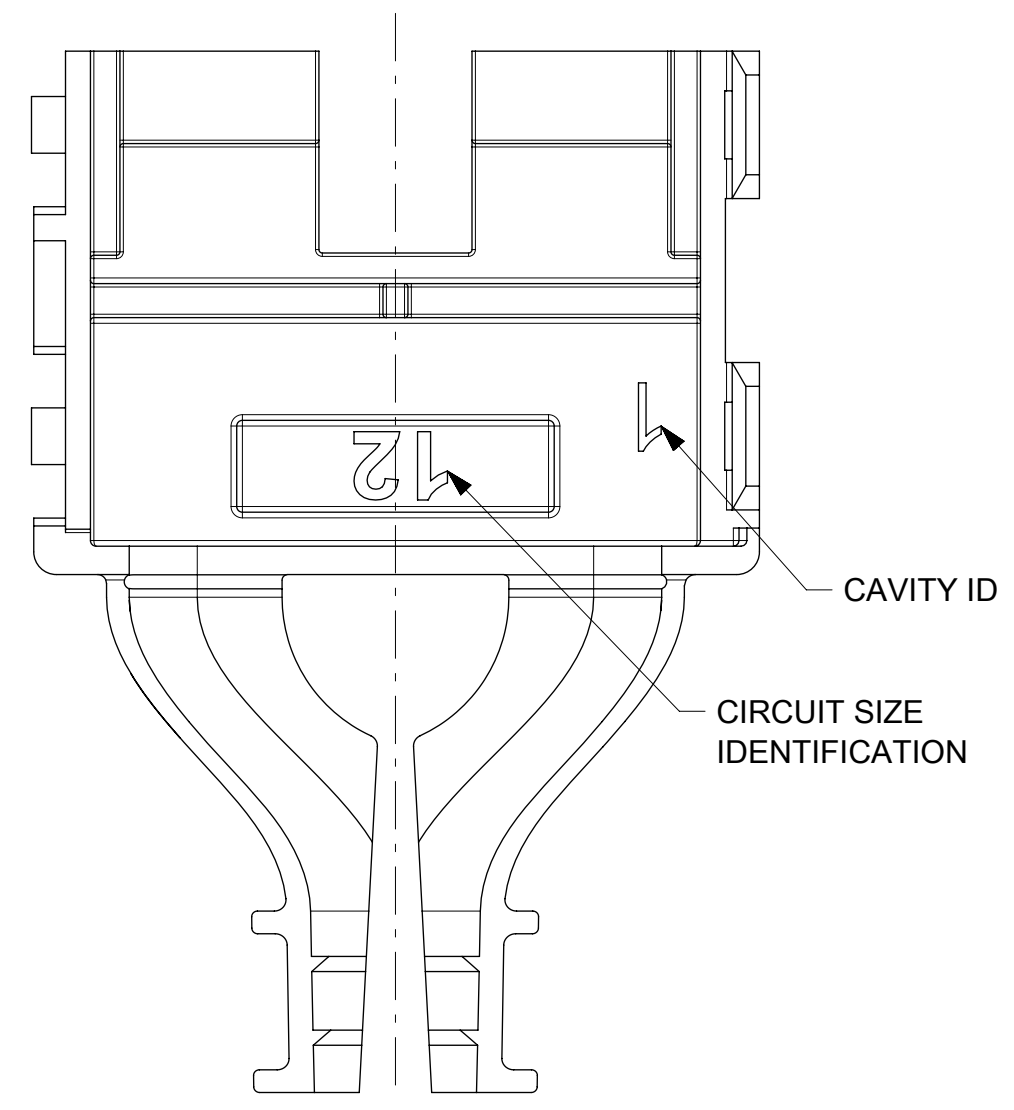
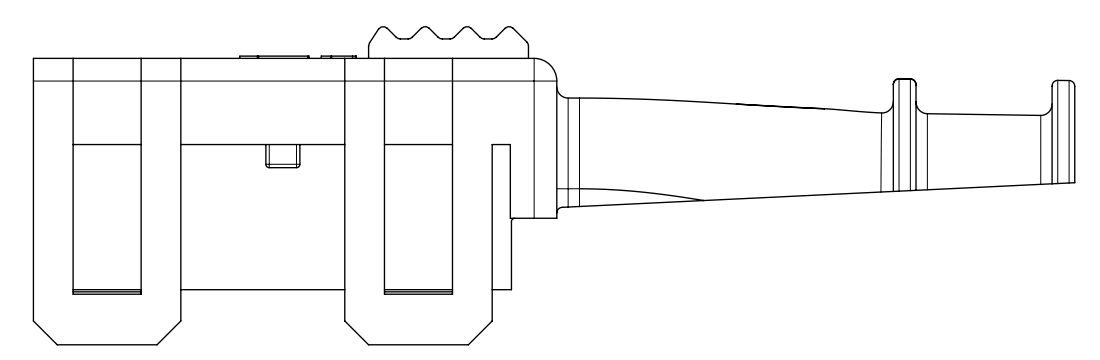
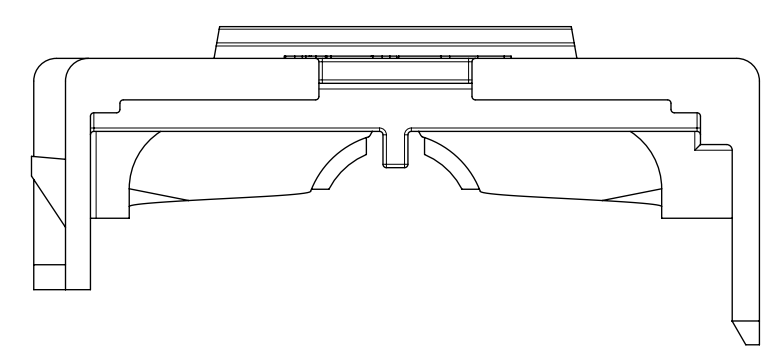
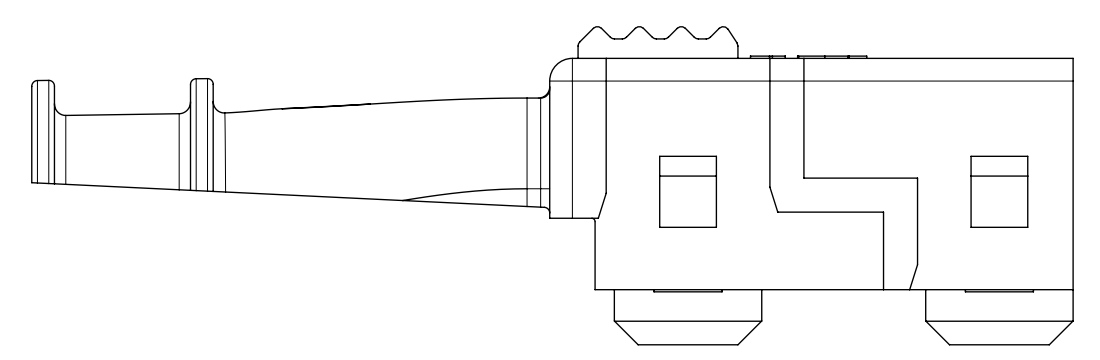
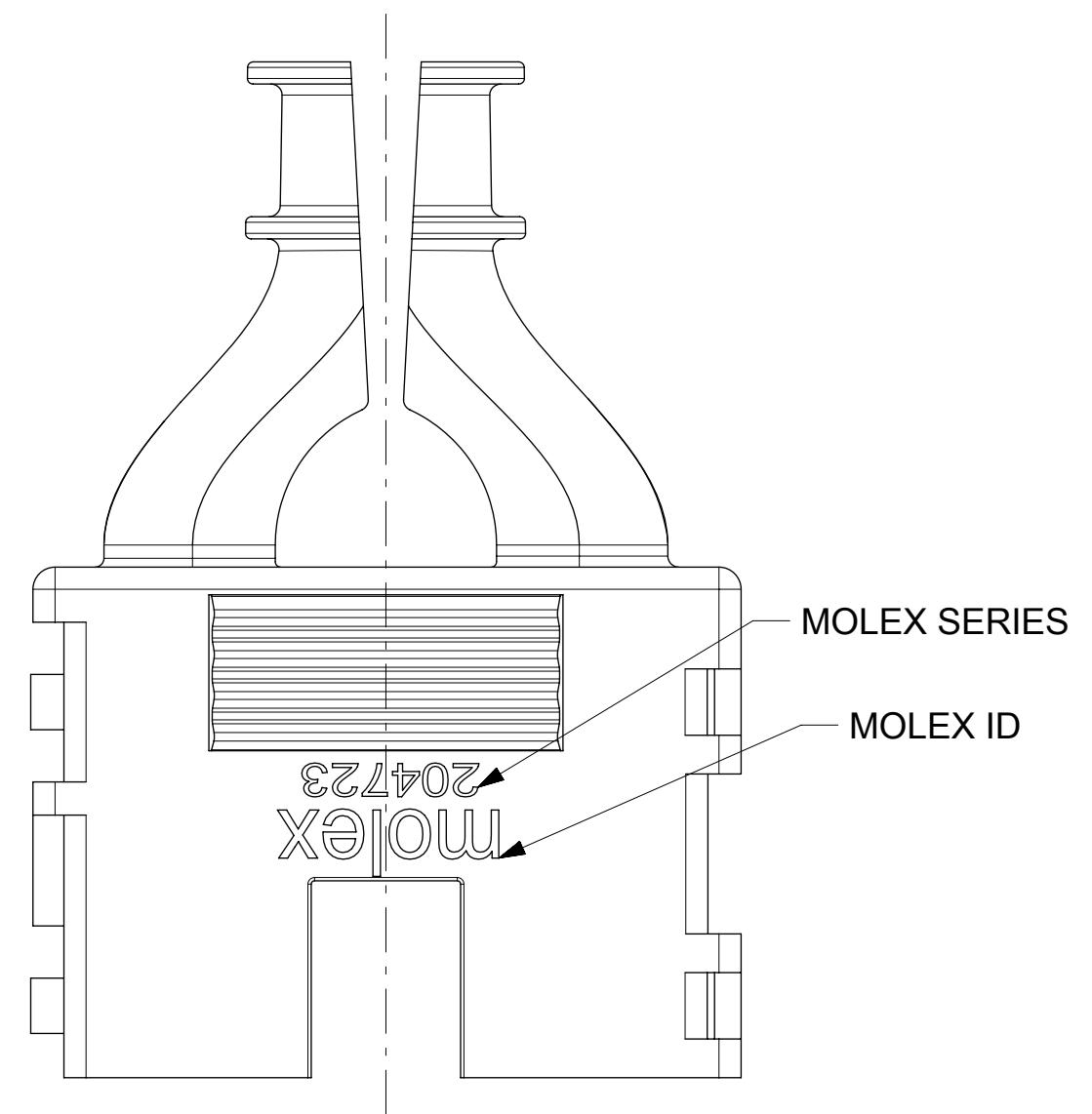


ISOMETRIC VIEW FOR 12 CKT



NOTES:

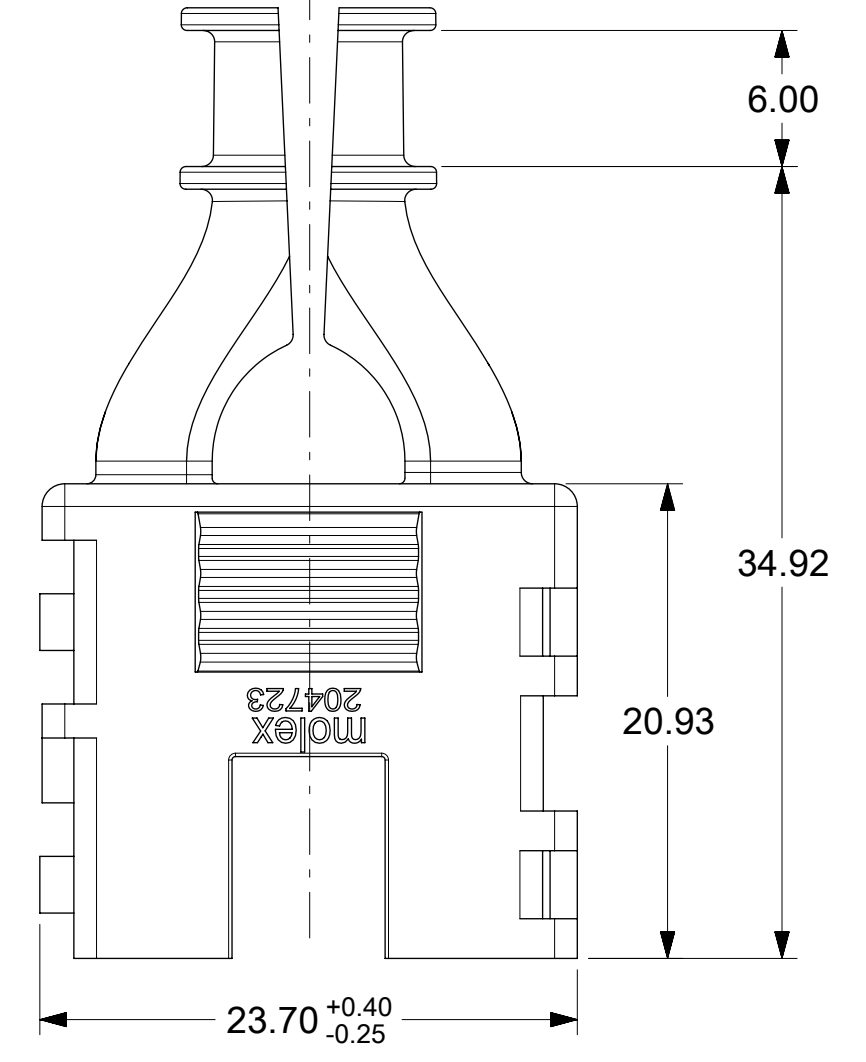
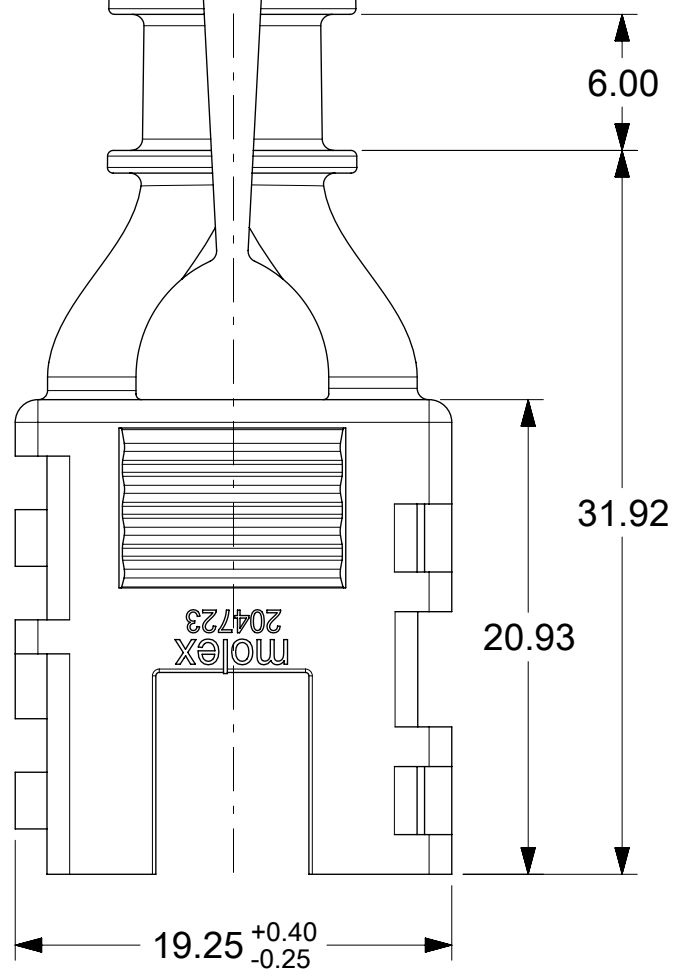
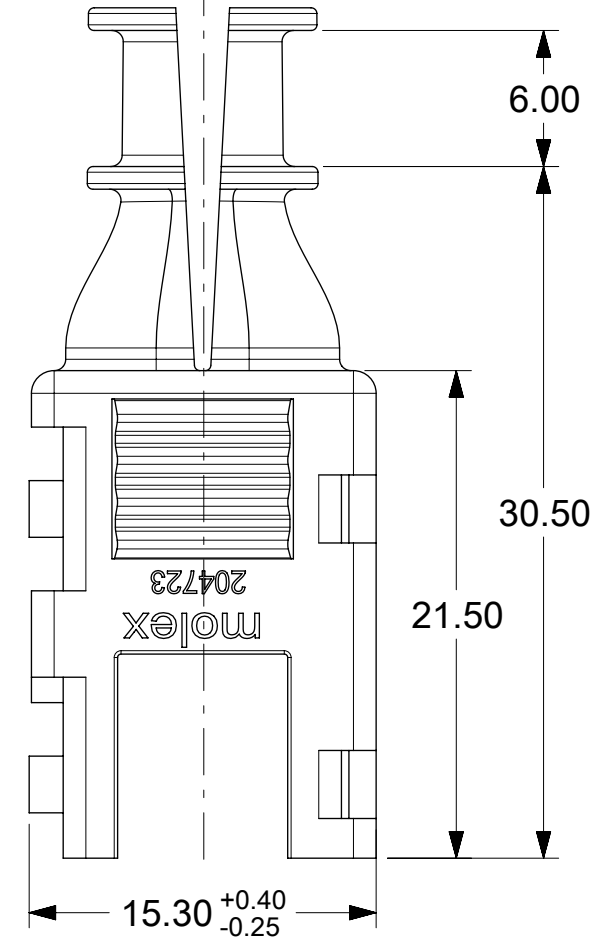
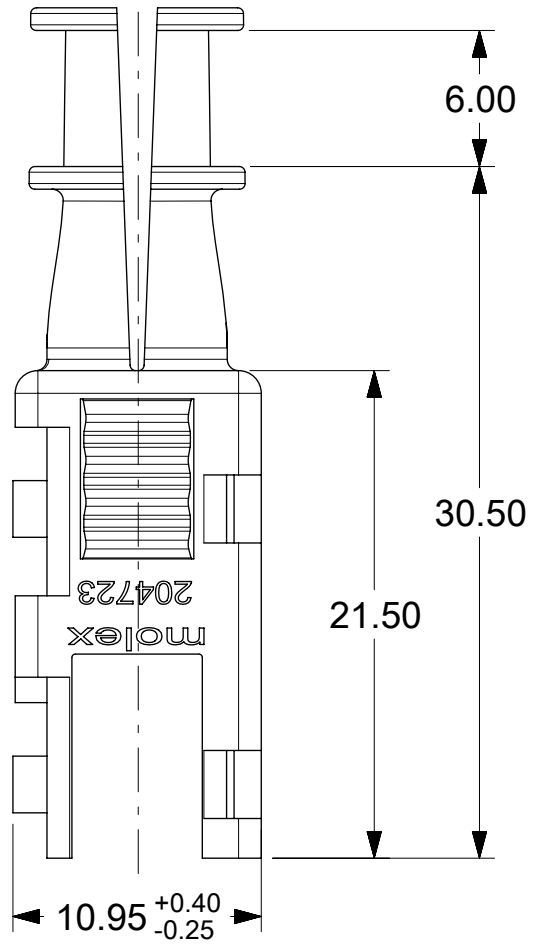
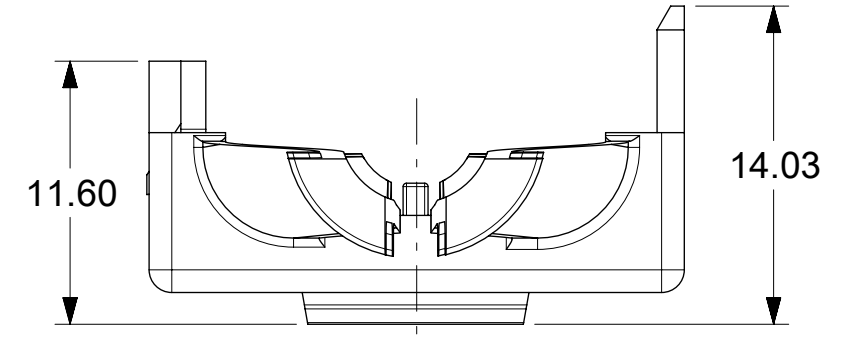
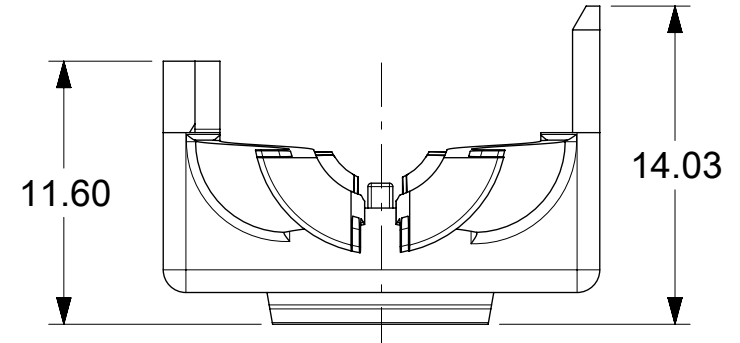
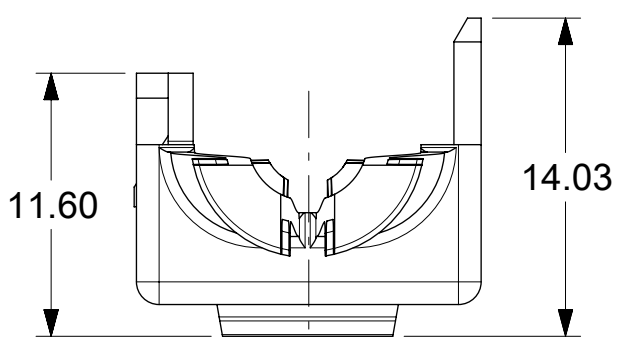
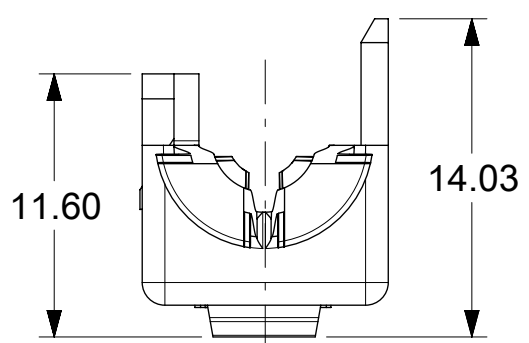
1. MATERIAL:
 '0' = NYLON V-O LOW HALOGEN; COLOR: BLACK
 '1' = NYLON V-2 GLOW WIRE CAPABLE; COLOR: BLACK
 '2' = NYLON V-O LOW HALOGEN; COLOR: NATURAL
2. FINISH: NONE
3. PRODUCT SPECIFICATION: 2047230001-PS
 APPLICATION SPECIFICATION: 2047230000-AS
4. PACKAGING SPECIFICATION: 2047230001-PK
 REFER TO AS-45499-001 FOR MOISTURIZING NYLON CONNECTOR PARTS.
5. THIS BACKSHELL TO BE USED WITH RECEPTACLE SERIES 5557 AND
 PLUG HOUSING SERIES 5559.
6. THIS PART CONFORMS TO CLASS 'B' REQUIREMENTS OF COSMETIC
 SPECIFICATION PS-45499-002.
7. FOR "1" MATERIAL USE CLASS C GATE BLIMISH SPEC.
8. 204723-0012 SHOWN. SEE SHEET 2 FOR OTHER PART NUMBERS.
9. 14 TO 20 CKT NOT TOOLED

PART LEGEND

204723 - 0 * * *

PART SERIES ———
 MATERIAL (SEE NOTE 1) ———
 NUMBER OF CKTS (SEE NEXT SHEET) ———

QUALITY SYMBOLS ▽ = 0 ▽ = 0 ▽ = 0 ▽ = 0 ▽ = 0 ▽ = 0 ▽ = 0 ▽ = 0 ▽ = 0	THIS DRAWING CONTAINS INFORMATION THAT IS PROPRIETARY TO MOLEX ELECTRONIC TECHNOLOGIES, LLC AND SHOULD NOT BE USED WITHOUT WRITTEN PERMISSION				DIMENSION UNITS: mm SCALE: 3:1					
	GENERAL TOLERANCES (UNLESS SPECIFIED) ANGULAR TOL ± 0.5 °		DRWN BY: SNAGARAVENKA DATE: 2017/06/07		MINIFIT BACKSHELL DUAL ROW 2 TO 24CKT					
	EC NO: 665793 DRWN: GOWTHP CHKD: GOWTHP APPR: ISHWARG		2021/05/07 2021/06/02 2021/06/02		4 PLACES ± 3 PLACES ± 2 PLACES ± 0.25 1 PLACE ± 0.4 0 PLACES ±		CHKD BY: KPRASAD DATE: 2017/08/18		PRODUCT CUSTOMER DRAWING	
DRAFT WHERE APPLICABLE MUST REMAIN WITHIN DIMENSIONS				DRAWING SIZE: C THIRD ANGLE PROJECTION		SERIES: 204723 MATERIAL NUMBER: 2047230000-SD CUSTOMER:			DOC TYPE: PSD DOC PART: 000 SHEET NUMBER: 1 OF 3	

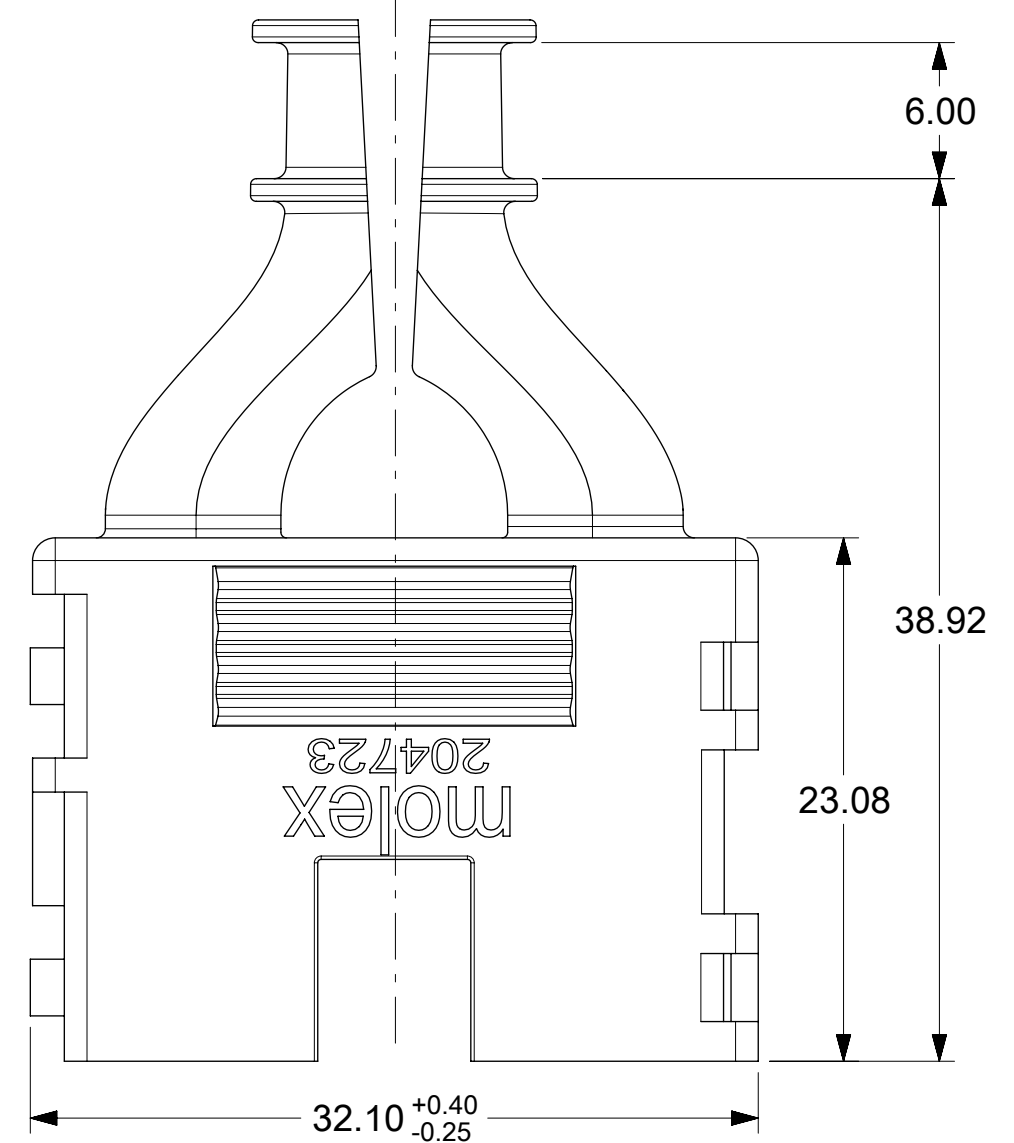
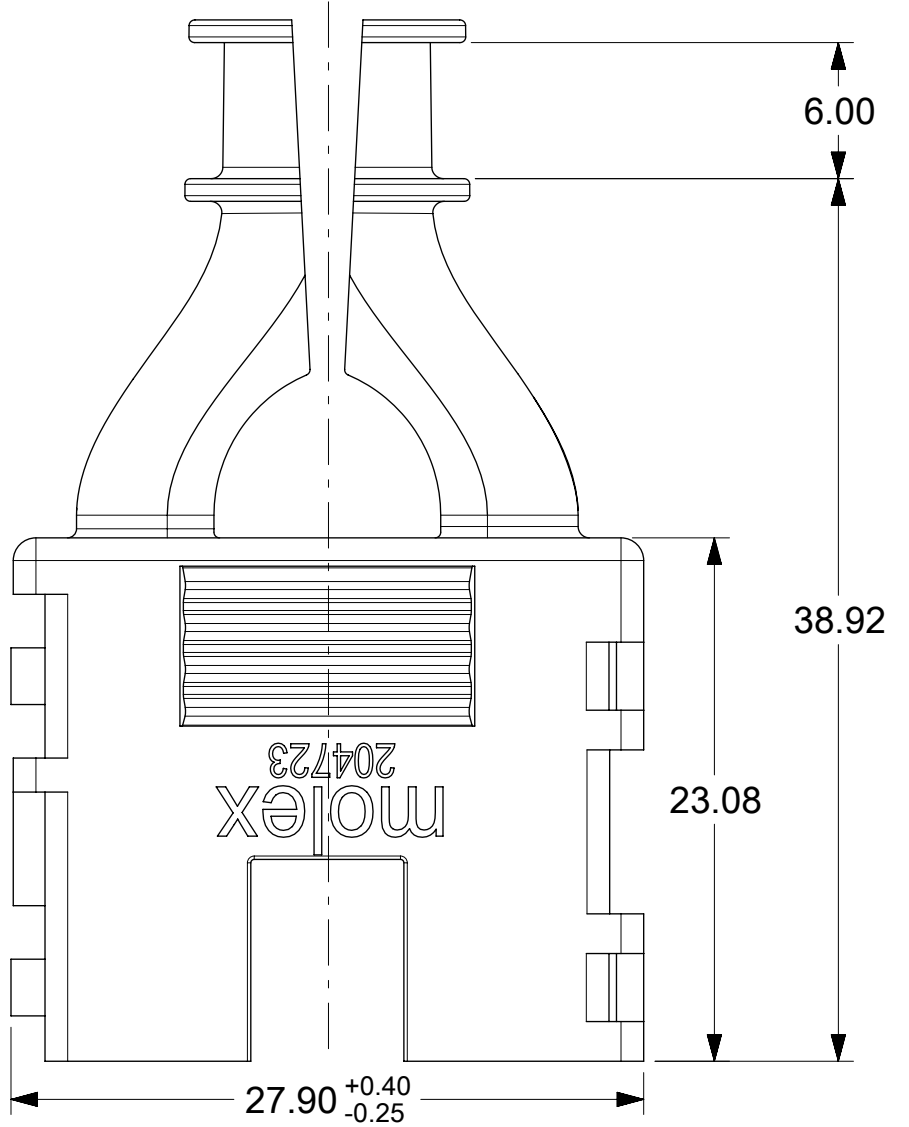
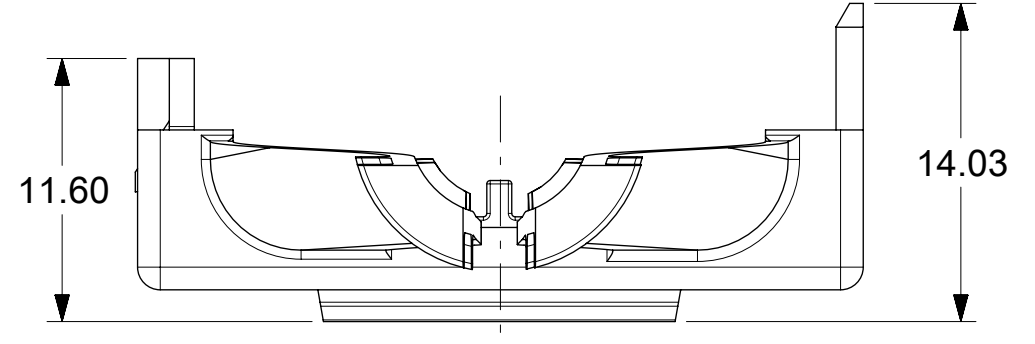
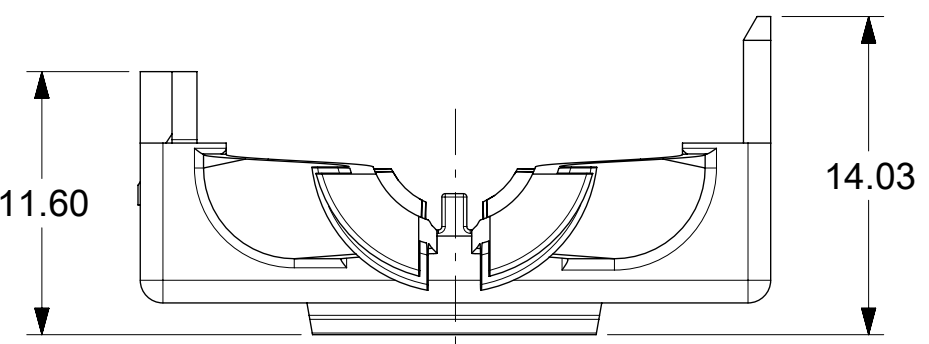


2047230*02

2047230*04

2047230*06

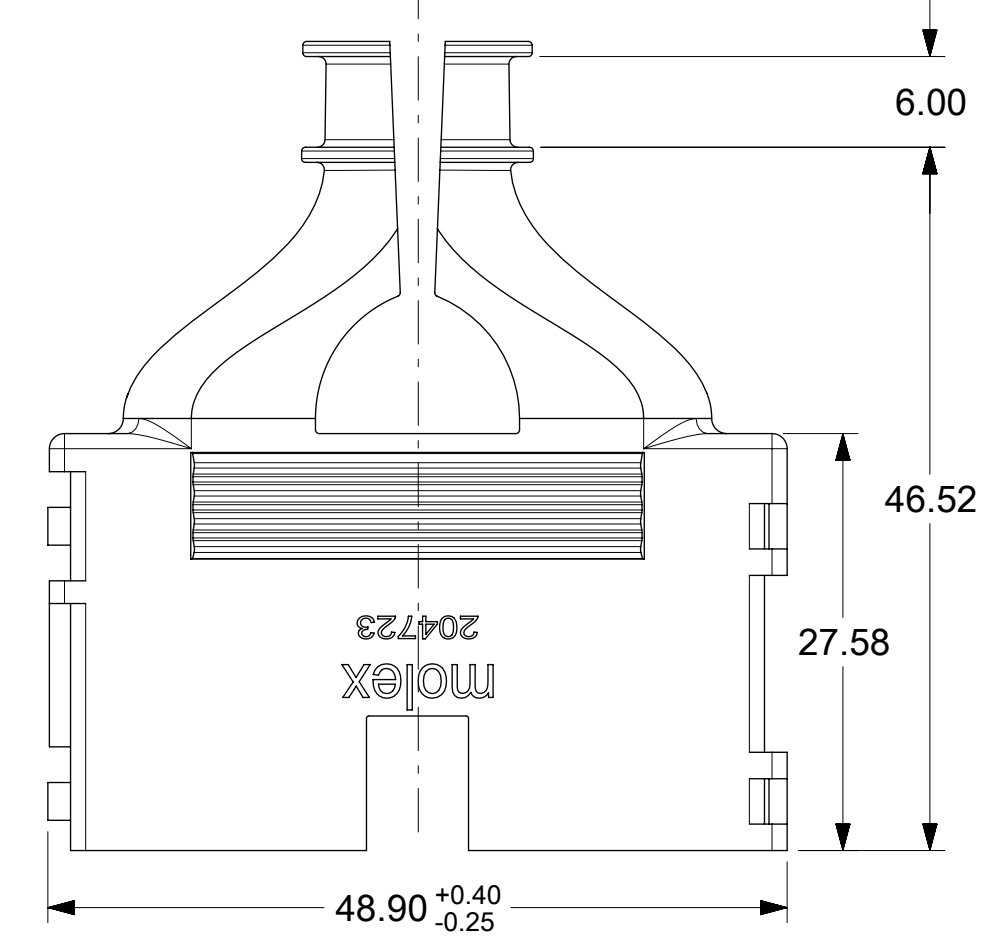
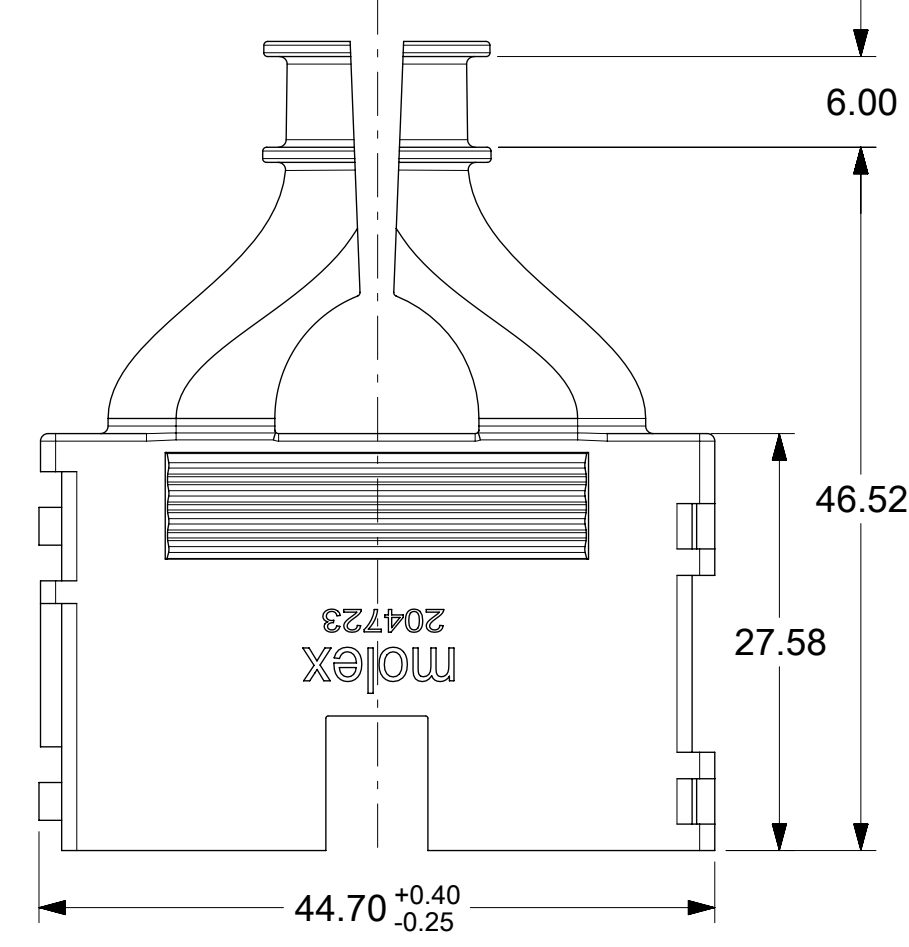
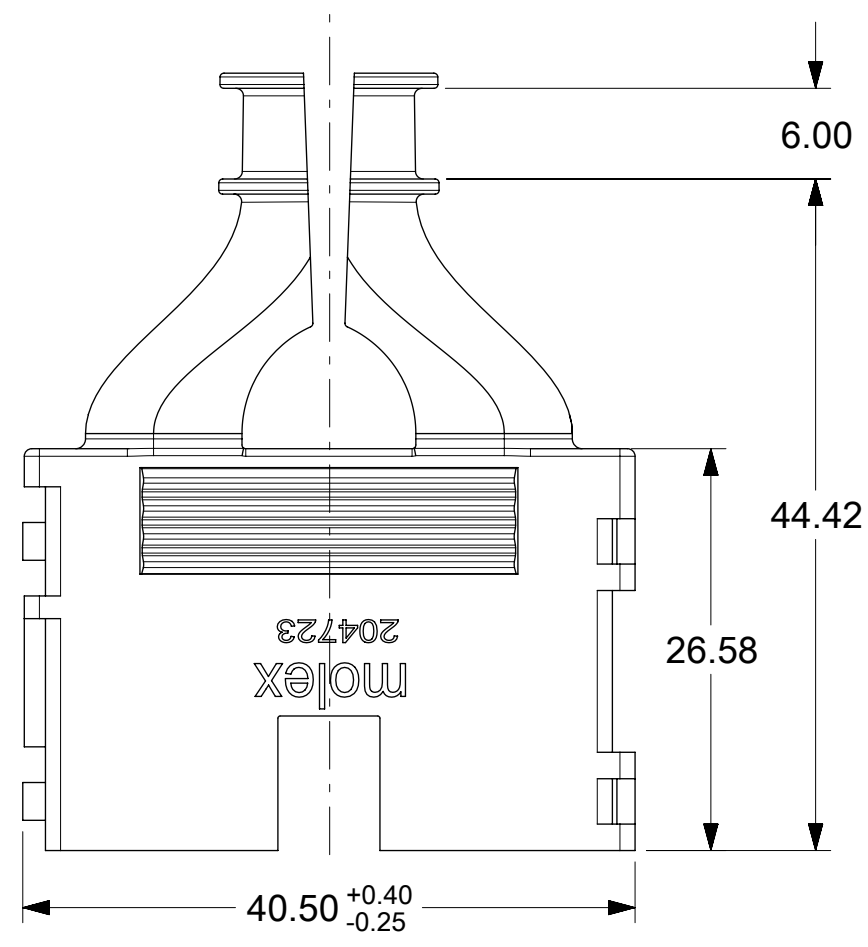
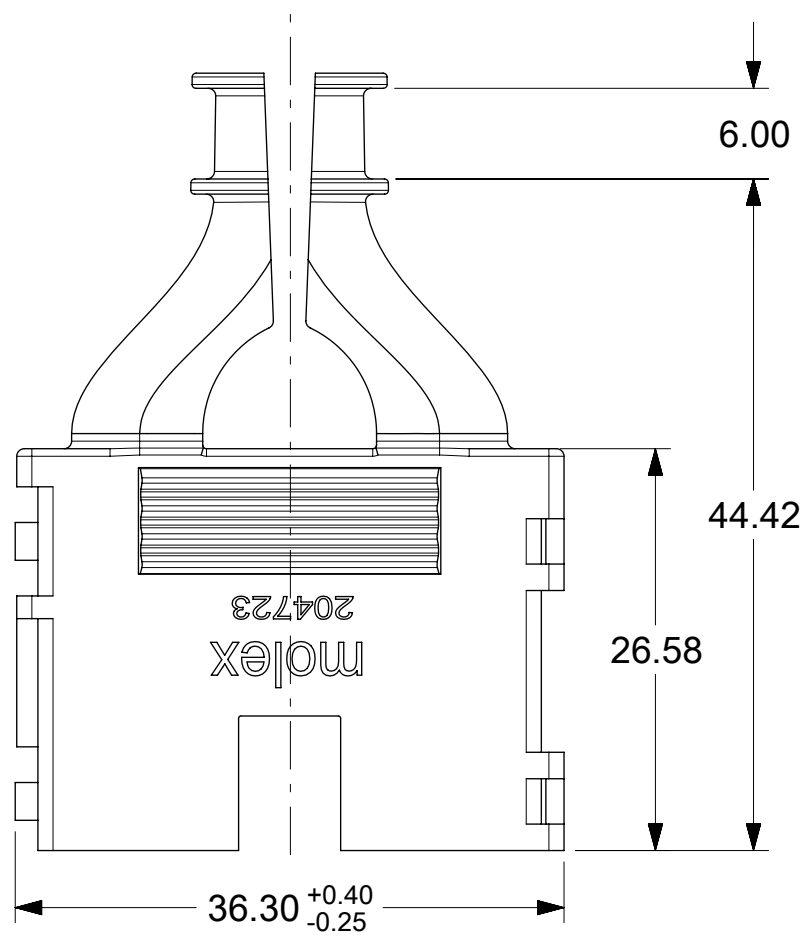
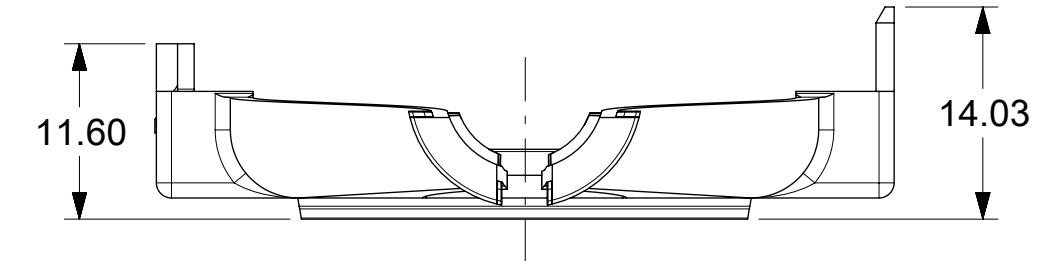
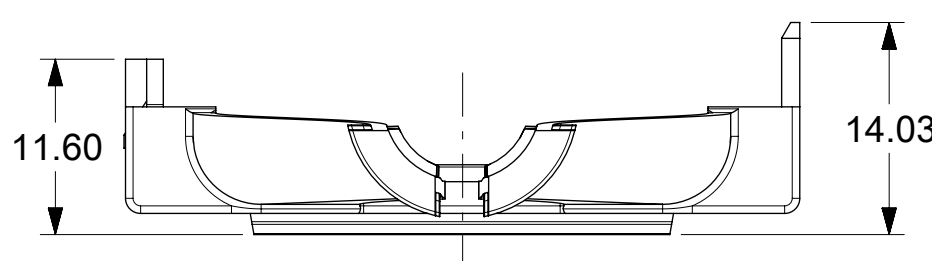
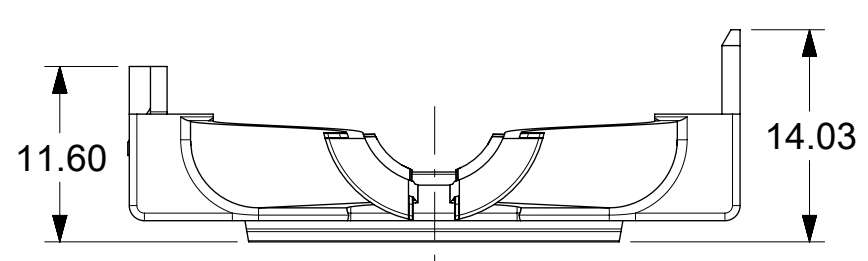
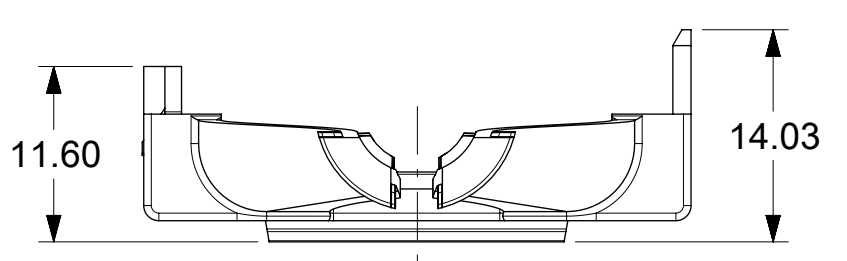
2047230*08



2047230*10

2047230*12

QUALITY SYMBOLS ▽ = 0 ▽ = 0 ▽ = 0 ▽ = 0 ▽ = 0 ▽ = 0 ▽ = 0 ▽ = 0 ▽ = 0 ▽ = 0	THIS DRAWING CONTAINS INFORMATION THAT IS PROPRIETARY TO MOLEX ELECTRONIC TECHNOLOGIES, LLC AND SHOULD NOT BE USED WITHOUT WRITTEN PERMISSION									
	EC NO: 665793 DRWN: GOWTHP CHKD: GOWTHP APPR: ISHWARG	2021/05/07 2021/06/02 2021/06/02	GENERAL TOLERANCES (UNLESS SPECIFIED)		DIMENSION UNITS	SCALE				
			ANGULAR TOL ± 0.5 °		mm	2:1				
	4 PLACES ±		DRWN BY	DATE	MINIFIT BACKSHELL DUAL ROW 2 TO 24CKT					
	3 PLACES ±		SNAGARAVENKA	2017/06/07						
	2 PLACES ± 0.25		CHKD BY	DATE	PRODUCT CUSTOMER DRAWING					
	1 PLACE ± 0.4		APPR BY	DATE						
	0 PLACES ±		KPRASAD	2017/08/18	SERIES	MATERIAL NUMBER	CUSTOMER			
	DRAFT WHERE APPLICABLE MUST REMAIN WITHIN DIMENSIONS		DRAWING SIZE	THIRD ANGLE PROJECTION	204723					
	A7	REV	C		DOCUMENT NUMBER	DOC TYPE	DOC PART	SHEET NUMBER		
				2047230000-SD	PSD	000	2 OF 3			

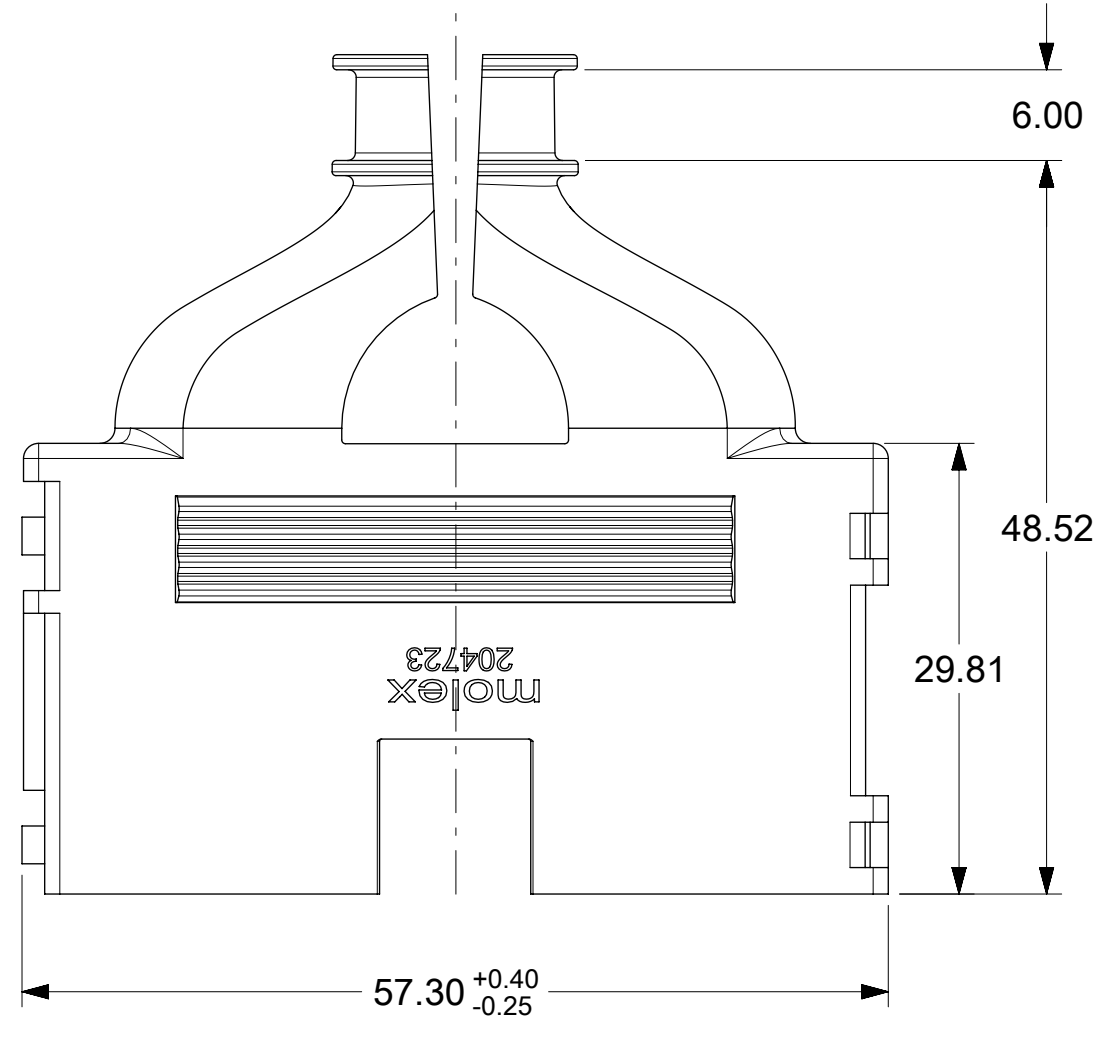
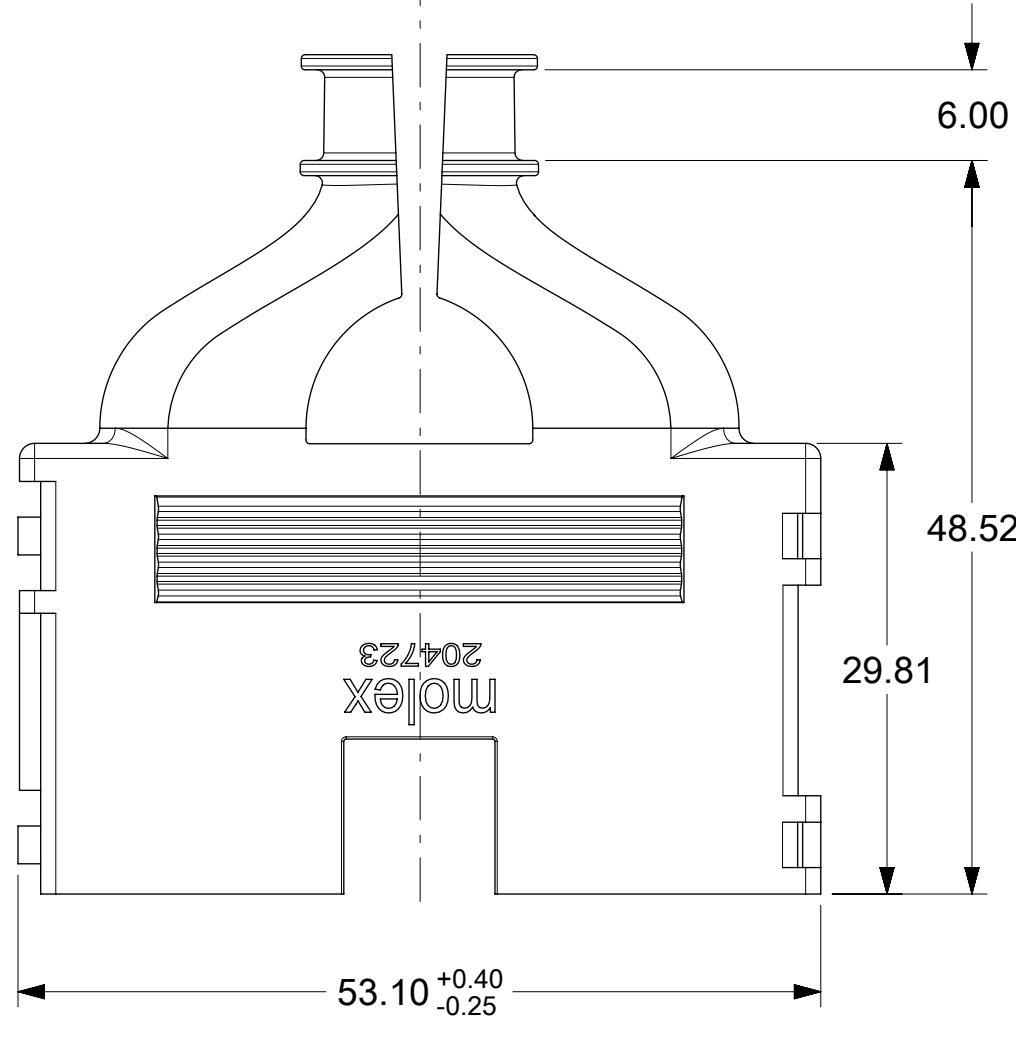
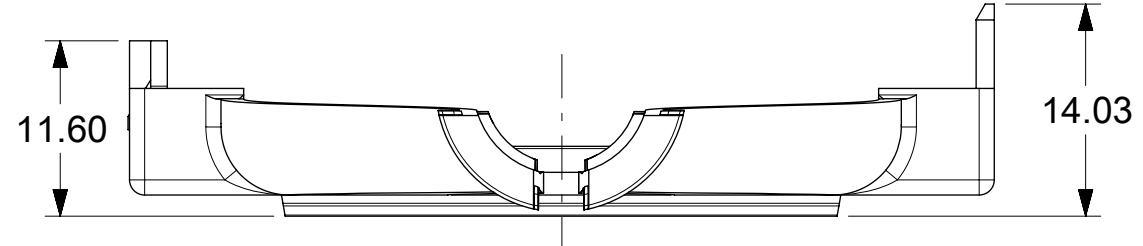
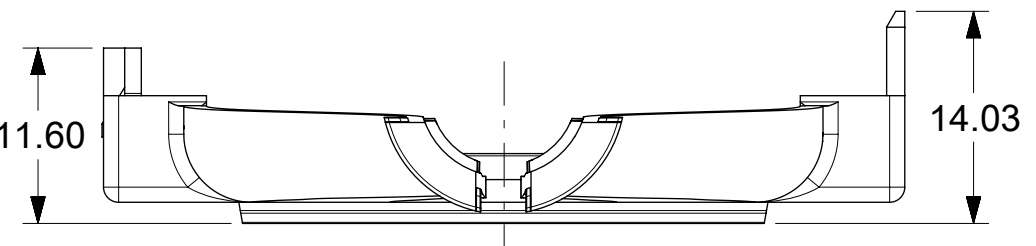


2047230*14

2047230*16

2047230*18

2047230*20



2047230*22

2047230*24

NOTE: 14 TO 20 CIRCUITS NOT TOOLED

QUALITY SYMBOLS		THIS DRAWING CONTAINS INFORMATION THAT IS PROPRIETARY TO MOLEX ELECTRONIC TECHNOLOGIES, LLC AND SHOULD NOT BE USED WITHOUT WRITTEN PERMISSION				DIMENSION UNITS		SCALE				
▽ = 0	▽ = 0	2021/05/07 2021/06/02		GENERAL TOLERANCES (UNLESS SPECIFIED)		mm		2:1				
▽ = 0	▽ = 0	2021/06/02 2021/06/02		ANGULAR TOL ± 0.5 °		DRWN BY		DATE		PRODUCT CUSTOMER DRAWING		
▽ = 0	▽ = 0	2021/06/02 2021/06/02		4 PLACES ±		SNAGARAVENKA		2017/06/07				
▽ = 0	▽ = 0	2021/06/02 2021/06/02		3 PLACES ±		CHKD BY		DATE		DOCUMENT NUMBER DOC TYPE DOC PART SHEET NUMBER		
▽ = 0	▽ = 0	2021/06/02 2021/06/02		2 PLACES ± 0.25		APPR BY		DATE				
▽ = 0	▽ = 0	2021/06/02 2021/06/02		1 PLACE ± 0.4		KPRASAD		2017/08/18		A7		
▽ = 0	▽ = 0	2021/06/02 2021/06/02		0 PLACES ±		DRAWING SIZE		THIRD ANGLE PROJECTION				
▽ = 0	▽ = 0	2021/06/02 2021/06/02		DRAFT WHERE APPLICABLE MUST REMAIN WITHIN DIMENSIONS		C						
▽ = 0	▽ = 0	2021/06/02 2021/06/02										