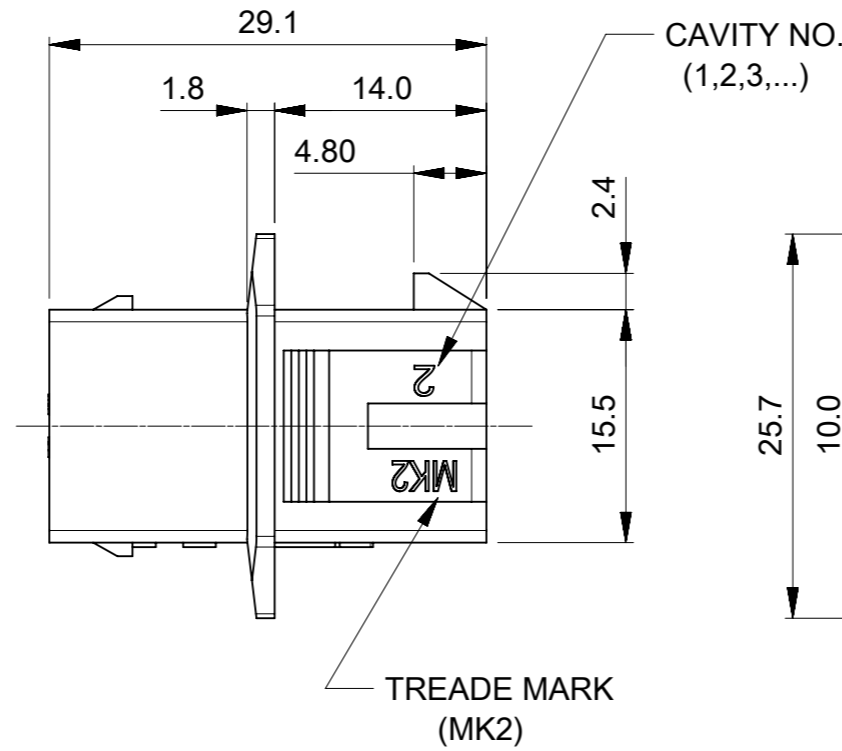
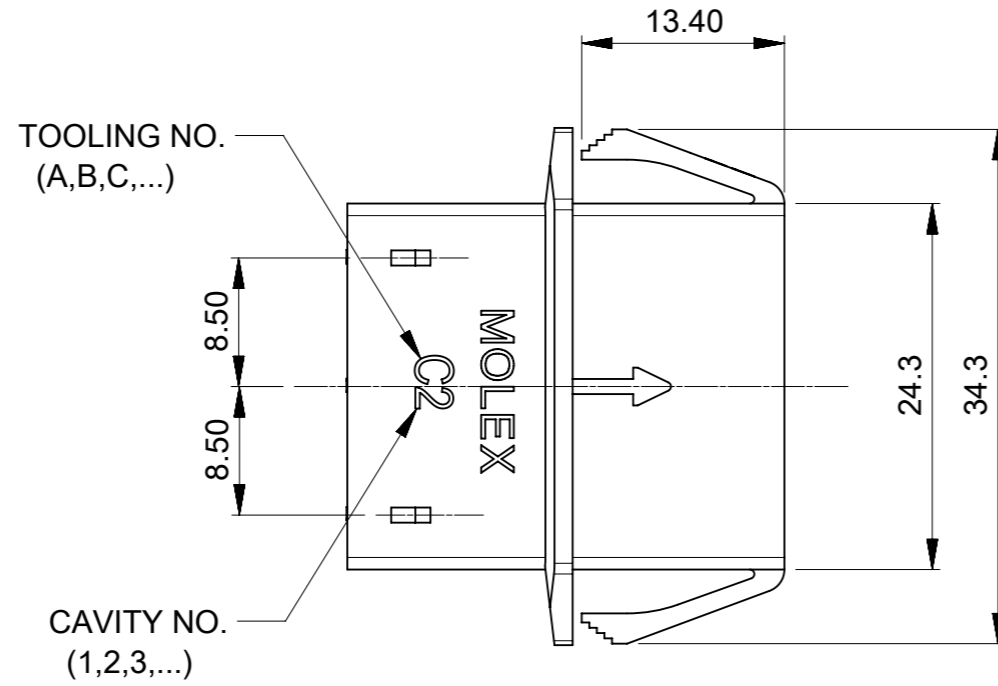
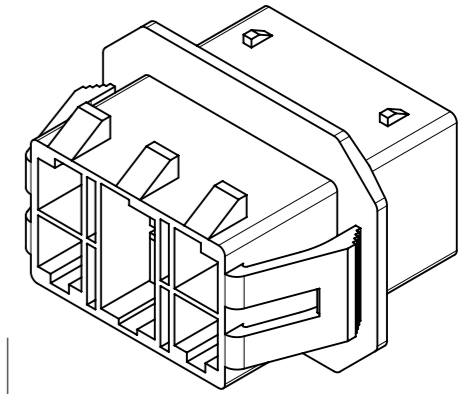
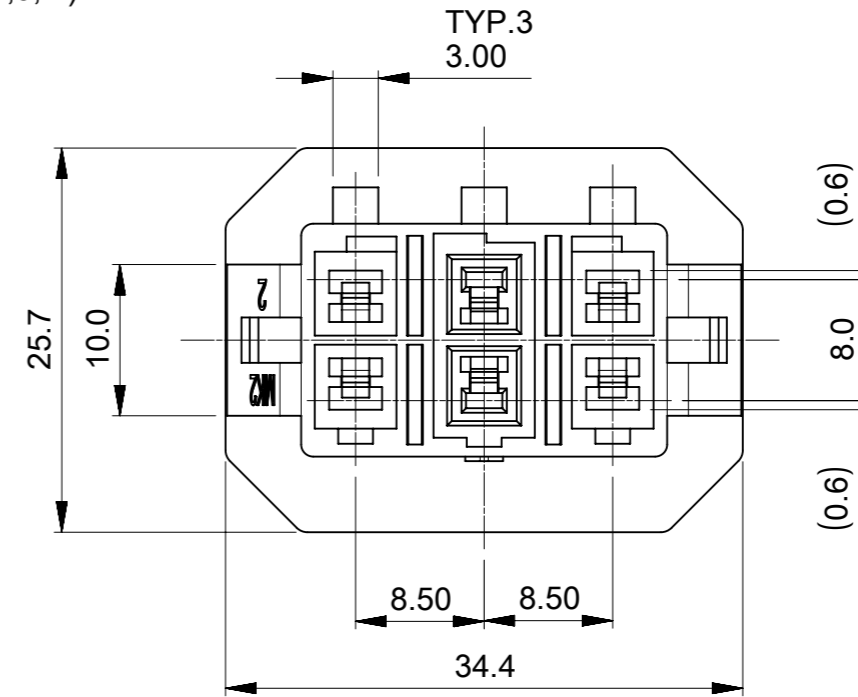


CIRCUIT NO.

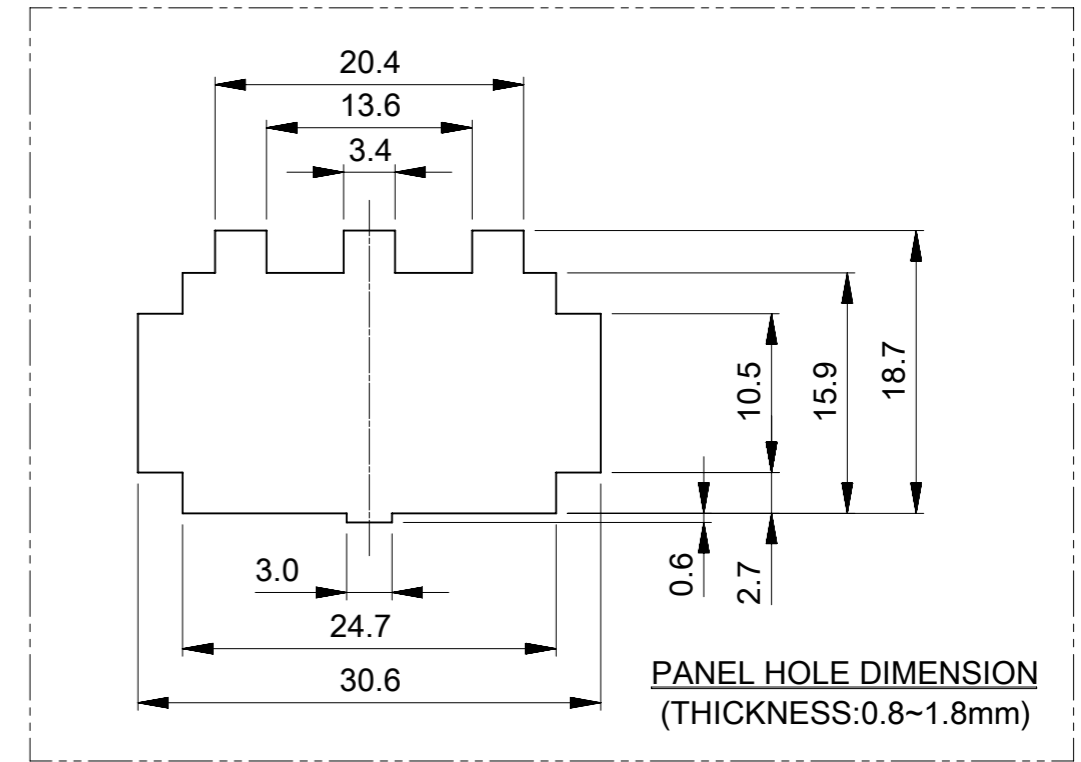


CAVITY NO.
(1,2,3,...)



TOOLING NO.
(A,B,C,...)

CAVITY NO.
(1,2,3,...)



NOTES

1. MATERIAL : PC/PET(UL94V-0, UNFILLED G/F)
NATURAL COLOR
(GLOW WIRE CAPABLE HAVING AN IEC GWIT 760 DEGRESS C
FOR THIS PRODUCT)
2. MATED HOUSING : 204102-0209/0409
3. APPLICABLE TPA : 35182-039*
4. APPLICABLE TERMINAL
: 35745-0*10(3,4CIRCUIT)
: 35746-0*10(2,5CIRCUIT)
: 35747-0*10(1,6CIRCUIT)
5. PRODUCT SPECIFICATION : PS-2041020609

THIS DRAWING CONTAINS INFORMATION THAT IS PROPRIETARY TO MOLEX ELECTRONIC TECHNOLOGIES, LLC AND SHOULD NOT BE USED WITHOUT WRITTEN PERMISSION										
SYMBOLS	DIMENSION UNITS	SCALE	CURRENT REV DESC:							
	mm	2:1	<p>molex</p> <p>.070 MULTI WTW CONN. MALE HOUSING -6P</p>							
▽ = 0	GENERAL TOLERANCES (UNLESS SPECIFIED)		<p>EC NO: 606063</p> <p>DRWN: JSSHIN 2018/10/16</p> <p>CHK'D: SHCHU 2018/10/30</p> <p>APPR: YSKIM02 2018/10/30</p>							
▽ = 0	ANGULAR TOL ± 3.0°		<p>PRODUCT CUSTOMER DRAWING</p>							
▽ = 0	4 PLACES ±	<p>INITIAL REVISION:</p>								
▽ = 0	3 PLACES ±	<p>DRWN: JBJIN 2017/04/03</p>								
▽ = 0	2 PLACES ± 0.3	<p>APPR: YSKIM02 2017/08/02</p>								
▽ = 0	1 PLACE ± 0.3	DOCUMENT NUMBER		DOC TYPE		DOC PART		REVISION		
▽ = 0	0 PLACES ± 0.3	2041020609		PSD		000		A3		
□ = 0	DRAFT WHERE APPLICABLE MUST REMAIN WITHIN DIMENSIONS		THIRD ANGLE PROJECTION		DRAWING		SERIES		MATERIAL NUMBER	
▽ = 0			A3-SIZE		204102		2041020609		GENERAL MARKET	
			CUSTOMER		SHEET NUMBER					
			GENERAL MARKET		1 OF 1					

DOCUMENT STATUS	RELEASE DATE
-----------------	--------------