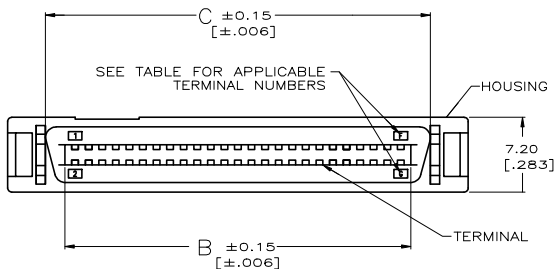
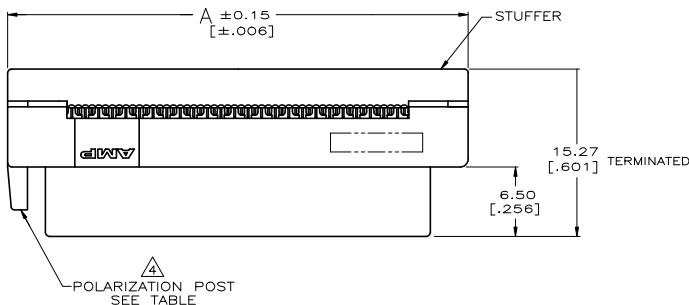
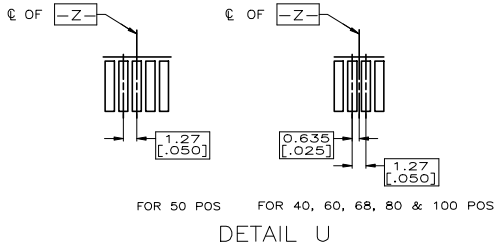
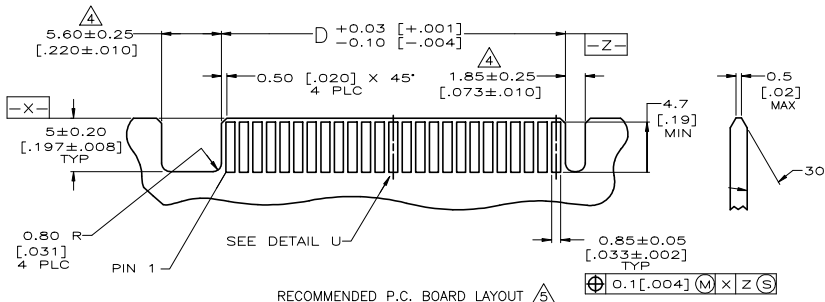


THIS DRAWING IS UNPUBLISHED. RELEASED FOR PUBLICATION
 © COPYRIGHT 2011 BY TYCO ELECTRONICS CORPORATION. ALL RIGHTS RESERVED.

LOC	DIST	REVISIONS			
P	LTR	DESCRIPTION	DATE	DWN	APVD
	A1	REVISED PER ECN-23-202744	14MAR23	IT	WH



- HOUSING AND COVER- POLYESTER, BLACK, 94V-0.
- CONNECTOR WILL TERMINATE .63 [.025] CENTERLINE FLAT RIBBON CABLE, #30 AWG SOLID,PVC INSULATION.
- DIMENSIONS SHOWN ARE MAXIMUM UNLESS OTHERWISE SPECIFIED.
- REQUIRED FOR POLARIZATION OF RIBBON CABLE EDGE CONNECTOR TO P.C. BOARD.
- CONNECTOR WILL ACCOMMODATE PRINTED CIRCUIT BOARD THICKNESS OF 1.42-1.72 [.056-.068].
- ALL P/NS ARE PACKAGED IN TUBES, THEY ARE THE SAME PRODUCT AS 787693-2, -4, -5, -3, -6, -1 RESPECTIVELY, WHICH ARE PACKAGED IN TRAYS.
- TERMINALS- PHOSPHOR BRONZE WITH GOLD FLASH OVER 0.76μm [.000030] MINIMUM PALLADIUM-NICKEL, OR 0.76μm [.000030] MINIMUM GOLD ON CONTACT AREA AND 3.81μm [.000150] MINIMUM TIN ON TERMINATING AREA, ALL OVER 1.27μm [.000050] MINIMUM NICKEL.
- LEAD CONTENT: 1000 PPM UNDER.
- ALL DIMENSIONS SHOWN ARE MAXIMUM UNLESS OTHERWISE SPECIFIED.



100	99	63.93	2.517	67.77	2.668	64.13	2.525	74.85	2.947	100	1-1734098-0
80	79	51.23	2.017	55.07	2.168	51.43	2.025	62.15	2.447	80	1734098-8
68	67	43.61	1.717	47.45	1.868	43.81	1.725	54.53	2.147	68	1734098-7
60	59	38.53	1.517	42.37	1.668	38.73	1.525	49.45	1.947	60	1734098-6
50	49	32.18	1.267	36.02	1.418	32.38	1.275	43.10	1.697	50	1734098-5
40	39	25.70	1.012	29.67	1.168	26.03	1.025	36.75	1.447	40	1734098-4

THIS DRAWING IS A CONTROLLED DOCUMENT.		DWN O. HOU	26MAR2004	TE Connectivity RCPT, ASSY, RIBBON CABLE, .025CL, CHAMP .050, SERIES I
DIMENSIONS: mm		CHK S. HOU	26MAR2004	
TOLERANCES UNLESS OTHERWISE SPECIFIED:		APVD T. KE	26MAR2004	
0 PLC ± 1 PLC ± 2 PLC ± 3 PLC ± 4 PLC ± ANGLES ±		PRODUCT SPEC 108-57896	NAME	
MATERIAL SEE NOTE	FINISH SEE NOTE	APPLICATION SPEC	WEIGHT -	SIZE A3
		CUSTOMER DRAWING		CAGE CODE 00779
				DRAWING NO C=1734098
				RESTRICTED TO -
				SCALE -
				SHEET 1 OF 2
				REV A1

4

3

2

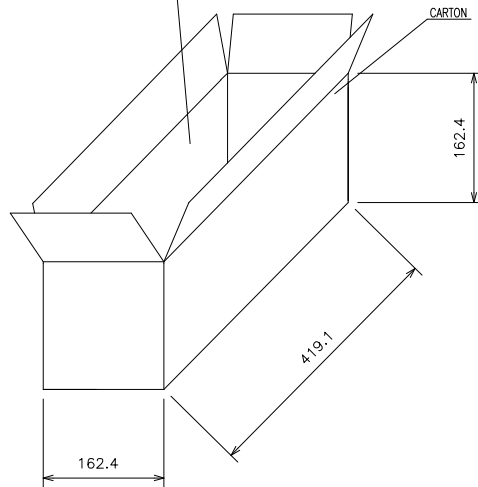
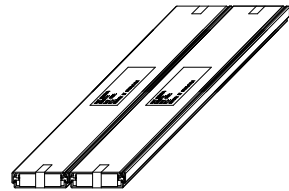
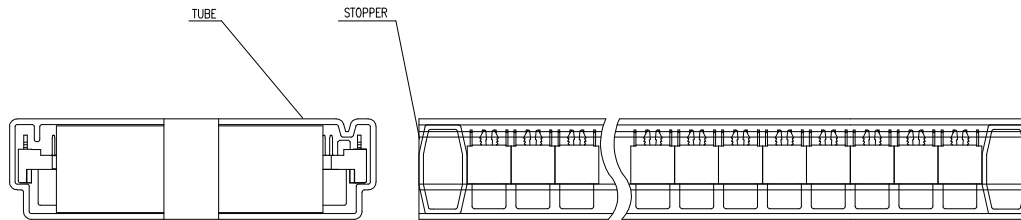
1

THIS DRAWING IS UNPUBLISHED. RELEASED FOR PUBLICATION
© COPYRIGHT 2011 BY TYCO ELECTRONICS CORPORATION. ALL RIGHTS RESERVED.

LOC DW
DIST

REVISIONS

P	LTR	DESCRIPTION	DATE	DWN	APVD
		SEE SHEET 1.			



POS.	Q'TY/ TUBE	TUBE/ BOX	Q'TY/ BOX	N/W (KG)	G/W (KG)	PART NUMBER
100	50	6	300	2.67	3.62	1-1734098-0
80	50	12	600	4.44	5.84	1734098-8
68	50	12	600	3.84	5.27	1734098-7
60	50	12	600	3.46	4.72	1734098-6
50	50	12	600	2.94	4.10	1734098-5
40	50	18	900	3.69	5.10	1734098-4

THIS DRAWING IS A CONTROLLED DOCUMENT.		DWN	STE TE Connectivity			
DIMENSIONS: mm		CHK				
TOLERANCES UNLESS OTHERWISE SPECIFIED:		APVD	NAME RCPT, ASSY, RIBBON CABLE, .025CL, CHAMP .050, SERIES I			
0 PLC ± -		PRODUCT SPEC	SIZE	CAGE CODE	DRAWING NO	RESTRICTED TO
1 PLC ± -		APPLICATION SPEC	A3	00779	C=1734098	-
2 PLC ± -		WEIGHT	CUSTOMER DRAWING			
3 PLC ± -			SCALE	SHEET	2 OF 2	REV
4 PLC ± -						A1
ANGLES ± -						
MATERIAL						
FINISH						