

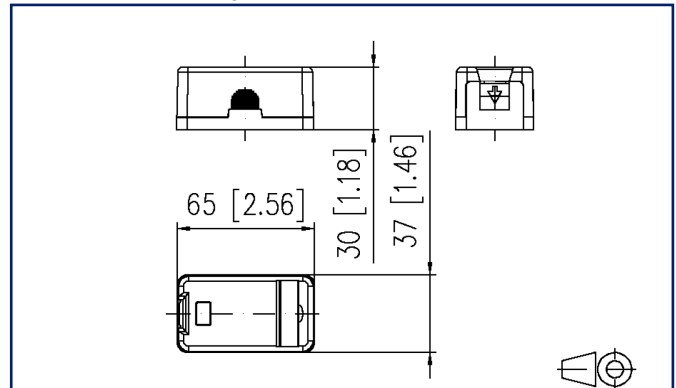
## Data sheet

### Extension box 1 Port C6<sub>A</sub>modul Keystone

## Illustrations



Dimensional drawing



See enlarged drawings at the end of document

## Product specification

- for the connection of the termination point meter position in the APZ area of the termination point line network (DMARC), equipped with C6<sub>A</sub>modul K 180°
- suitable for mounting on support rail in counter panel of general power supply below cover in room for additional applications to VDE-AR-N 4100
- failsafe contact with integrated dust protector slide, not sealable
- for connection of an MUC communication module
- certified to GHMT Cat.6<sub>A</sub> re-embedded PVP
- component testing for Cat.6<sub>A</sub> to ISO/IEC 11801-1, DIN EN 50173-1, ANSI/TIA-568.2-D and IEC 60603-7-51, certified to GHMT
- compliance with class E<sub>A</sub> up to 500 MHz to ISO/IEC 11801-1, DIN EN 50173-1
- tested: components up to 600 MHz, link up to 800 MHz
- suitable for 10 GBit Ethernet (IEEE 802.3an), Remote Powering (PoE, PoE plus, UPoE and 4PPoE) and HDBaseT
- connection of data lines AWG 26/1 to 22/1 (solid wire) and AWG 26/7 to 22/7 (stranded wire) to insulation displacement connectors (IDC)
- migration to 25G-systems without special tools
- plug direction of module inclined at 90° to top hat rail
- strain relief snapped on to stuffer cap
- with label window for enclosed identification labels
- cover parts in pure white RAL 9010, glossy surface
- variants: APZ 1 port, APZ 2 port



## Extension box 1 Port C6<sub>A</sub>modul Keystone

P/N  
130B21D1APL-E  
EAN 4250184151449  
2023/04/24  
Version: AE

### Technical Data

#### General Data

|   |   |
|---|---|
| Fields of application                         | structured building cabling<br>office areas |
| Mechanical measurement according to MICE      | M1  |
| Ingress measurement according to MICE         | I1  |
| Climatic measurement according to MICE        | C1  |
| Electromagnetic measurement according to MICE | E2  |
| Design  | wall outlet                                 |
| Shielding                                     | shielded                                    |
| Transmission technology                       | Copper                                      |
| Wiring  | T568A, T568B                                |
| Color   | Pure white RAL 9010                         |
| Dimensions                                    |   |
| Dimension (L x W x H)                         | 65 mm x 29.6 mm x 30 mm                     |
| Dimension (L x W x H)                         | 2.559 in. x 1.165 in. x 1.181 in.           |
| Labeling option                               | label window with identification label      |

#### Transmission characteristics

|                 |                |
|-----------------|----------------|
| Category (ISO)  | 6 <sub>A</sub> |
| Class (ISO/IEC) | E <sub>A</sub> |
| Category (TIA)  | 6A             |
| Remote Powering | yes            |
| PoE             | IEEE 802.3af   |
| PoE plus        | IEEE 802.3at   |
| UPoE            | yes            |
| 4PPoE           | IEEE 802.3bt   |
| HDBaseT         | yes            |

#### Connections/interfaces

|  |                |
|--|----------------|
| Connector technology interface 1         | IDC-connection |
| Connector technology interface 2         | RJ45-jack      |
| Number of ports interface 2              | 1              |
| Number of ports interface 2 equipped     | 1              |
| Number of positions/contacts interface 1 | 8              |

## Extension box 1 Port C6<sub>A</sub>modul Keystone

P/N  
130B21D1APL-E  
EAN 4250184151449  
2023/04/24  
Version: AE

### Technical Data

| Connections/interfaces                                       |   |
|--|---|
| Number of positions/contacts interface 2                     | 8P/8C   |
| Number of ports with dust protection interface 1             | 1   |
| Termination data, solid wire (min. - max.)                   |   |
| Conductor cross section, solid wire                          | AWG 26/1 - AWG 22/1                           |
| Conductor cross section, solid wire                          | 0.128 mm <sup>2</sup> - 0.324 mm <sup>2</sup> |
| Conductor diameter, solid wire (bare copper)                 | 0.409 mm - 0.643 mm                           |
| Conductor diameter, solid wire (bare copper)                 | 0.016 in. - 0.025 in.                         |
| Termination data, stranded wire (min. - max.)                |   |
| Conductor cross section, stranded wire                       | AWG 26/7 - AWG 22/7                           |
| Conductor cross section, stranded wire                       | 0.141 mm <sup>2</sup> - 0.355 mm <sup>2</sup> |
| Conductor diameter, stranded wire (bare copper)              | 0.483 mm - 0.76 mm                            |
| Conductor diameter, stranded wire (bare copper)              | 0.019 in. - 0.03 in.                          |
| Cable sheath diameter (min. - max.)                          |   |
| Cable sheath diameter  | 5.5 mm - 10.00                                |
| Cable sheath diameter  | 0.197 in. - 0.394                             |
| Module plug-in direction                                     | vertical                                      |
| Cable access/outlet  | 180°  |
| Elektrische/ Optische Eigenschaften                          |   |
| Current carrying capacity                                    | max. 1 A                                      |
| Rated voltage  | max. 50 V                                     |
| Contact resistance   | max. 20 mOhm                                  |
| Through resistance   | max. 200 mOhm                                 |
| Insulation resistance  | min. 500 MOhm                                 |
| Dielectric strength conductor-conductor (secondary)          | max. 1000 V DC                                |
| Mechanical data  |   |
| Cut-out  | Keystone                                      |
| Insertion and withdrawal force                               | max. 30 N                                     |
| Position/mounting of latch<br>standard installation position | bottom  |
| strain relief  | latching clip                                 |

# P | Cabling

Data sheet

Page 4/7

## Extension box 1 Port C6<sub>A</sub>modul Keystone

P/N  
130B21D1APL-E  
EAN 4250184151449  
2023/04/24  
Version: AE

### Technical Data

#### Materials and material properties

|                           |                       |
|---------------------------|-----------------------|
| Material - Housing        | GD-Zn (zinc die-cast) |
| Material - Contact        | Spring steel          |
| Material - Contact finish | Au (gold)             |
| Material - Shield         | GD-Zn (zinc die-cast) |
| Material - Stuffer cap    | PA 6.6 UL94 V0        |
| Material - Finish         | Ni (nickel)           |
| RoHS                      | compliant             |

#### Environmental conditions

|                             |  |
|-----------------------------|--|
| Rapid change of temperature | -40°C / -40°F - +70°C / 158°F / 25 cycles t=30 min |
|-----------------------------|--|

#### Certifications

|          |   |     |
|----------|---|-----|
| GHMT PVP |  | yes |
|----------|---|-----|

#### Standards/Regulations

|   |  |
|---|--|
| Generic cabling systems   |  |
| General requirements  | ISO/IEC 11801-1   DIN EN 50173-1<br>ANSI/TIA-568.2-D |
| Connectors for electronic equipment - Tests and measurements                            |  |
| Test standard for connectors (engaging and separating connectors under electrical load) | DIN-EN 60512-99-001, DIN-EN 60512-99-002             |
| Endurance tests   | IEC 60512-9-3: 03-2009                               |
| Interference proof  |  |
| Immunity for industrial environments  | DIN EN 61000-6-2:2006-03                             |
| Climate tests   | IEC 60512-11   |

#### Classifications

|          |          |
|----------|----------|
| ETIM 5.0 | EC001024 |
| ETIM 6.0 | EC001024 |
| ETIM 7.0 | EC001024 |
| ETIM 8.0 | EC001024 |
| ETIM 9.0 | EC001024 |

# P | Cabling

Data sheet

Page 5/7

## Extension box 1 Port C6<sub>A</sub>modul Keystone

P/N

130B21D1APL-E

EAN 4250184151449

2023/04/24

Version: AE

### Technical Data

#### Packing details

|                                 |                                   |
|---------------------------------|-----------------------------------|
| Type of packaging               | 1 pc(s) / plastic bag             |
| Packaging unit - Weight (gram)  | 75 g                              |
| Packaging unit - Weight (pound) | 0.17 lb                           |
| Packaging dimension             | 120 mm x 30 mm x 170 mm           |
| Packaging dimension             | 4.724 in. x 1.181 in. x 6.693 in. |



## Extension box 1 Port C6<sub>A</sub>modul Keystone

P/N  
130B21D1APL-E  
EAN 4250184151449  
2023/04/24  
Version: AE

### Accessories

| P/N            | Designation   |
|----------------|---|
| 130898-0003KI  | Keystone BLIND module light gray                                |
| 130898-0029KI  | Keystone BLIND module black                                     |
| 130898-0103KI  | COAX modul F jack / F jack, Keystone                            |
| 130898-0203KI  | COAX modul IEC jack / F jack, Keystone                          |
| 130898-0303KI  | COAX modul IEC plug / F jack, Keystone                          |
| 130910KI       | E-DAT modul Cat.6 <sub>A</sub> K jack - Keystone style          |
| 130910KZ       | E-DAT modul Cat.6 <sub>A</sub> K jack - Keystone style (12 pcs) |
| 1309A0-I       | E-DAT modul coupler 8(8) 180° class E <sub>A</sub>              |
| 130A08-I-B1    | UTP modul Cat.5e white  |
| 130A10-29-I-B1 | UTP modul 8(8) Cat.6 black                                      |
| 130A10-I-B1    | UTP modul 8(8) Cat.6 white                                      |
| 130A11-29KI    | UTP modul 8(8) Cat.6 <sub>A</sub> Keystone black                |
| 130A11KI       | UTP modul 8(8) Cat.6 <sub>A</sub> Keystone white                |
| 130B21-25-E    | 25Gmodul - Keystone   |
| 130B21-25-Z    | 25Gmodul - Keystone style (12 pcs)                              |
| 130B21-E       | C6 <sub>A</sub> modul K 180° jack - keystone style              |
| 130B21-Z       | C6 <sub>A</sub> modul K 180° jack - Keystone style (12 pcs)     |

# P | Cabling

Data sheet

Page 7/7

## Extension box 1 Port C6<sub>A</sub>modul Keystone

P/N  
130B21D1APL-E  
EAN 4250184151449  
2023/04/24  
Version: AE

### Illustrations

Dimensional drawing

