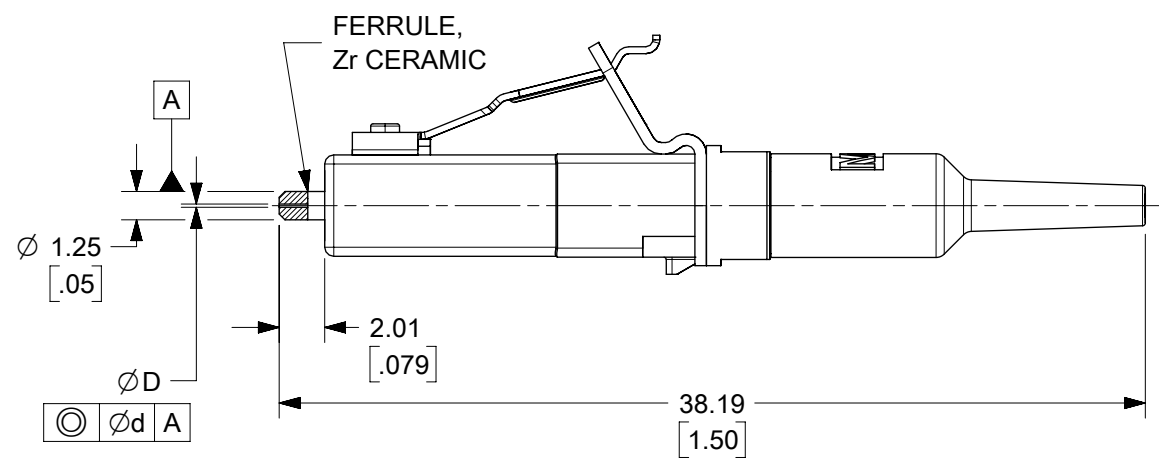
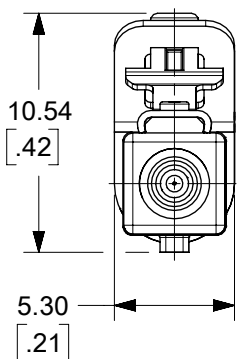
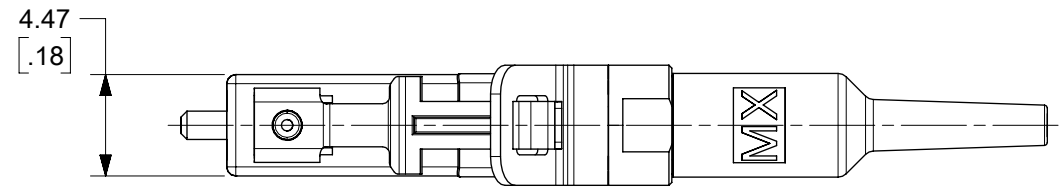
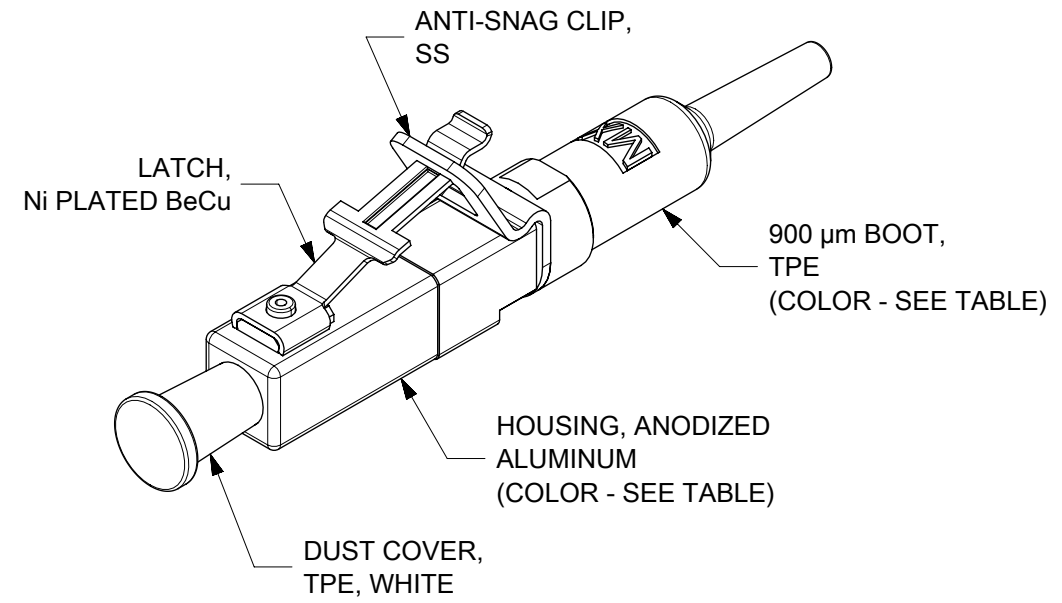


CONNECTOR P/N	ØD (µm)	Ød (µm)	CONNECTOR TYPE	HOUSING COLOR	BOOT COLOR
1063971902	125.5 +0.5/-0	0.5	Single Mode	Blue	Blue
1063971904	126.0 +1.0/-0	1.0			
1063972102	127.0 +3.0/-0	3.0	Multimode	Gold	White
1063971910	125.5 +0.5/-0	0.5	Single Mode/APC	Blue	Green



NOTES:

1. INTERFACE DIMENSIONS COMPLY TO IEC 61754-20 TYPE LC CONNECTOR FAMILY.
2. FOR TERMINATION PROCEDURE USE STANDARD LC TERMINATION PROCEDURE.
3. CONNECTOR TESTED TO PASS FOLLOWING STANDARDS:  
- TELCORDIA GR-326-CORE (REFER TO TEST REPORT TR8796)

CONNECTOR IS SOLD AS A KIT. CUSTOMER IS RESPONSIBLE TO PERFORM THEIR OWN TEST TO VERIFY THEIR TERMINATION PROCESS AS A FINISHED PRODUCT.

FUNCTIONAL SYMBOLS	THIS DRAWING CONTAINS INFORMATION THAT IS PROPRIETARY TO MOLEX ELECTRONIC TECHNOLOGIES, LLC AND SHOULD NOT BE USED WITHOUT WRITTEN PERMISSION		CURRENT REV DESC:		<b>molex</b>			
	DIMENSION UNITS	SCALE						LC2+ METAL CONNECTOR, SIMPLEX, 900UM BUFFERED FIBER
	MM/INCH	3:1	PRODUCT CUSTOMER DRAWING					
	GENERAL TOLERANCES (UNLESS SPECIFIED)					EC NO: 654175		DOCUMENT NUMBER
ANGULAR TOL ± 0.5°		DRWN: IGUMIN		SD-106397-1902		DOC TYPE	DOC PART	REVISION
4 PLACES ±		2020/12/01		PSD		001	C	
3 PLACES ±		2021/01/29		MATERIAL NUMBER		CUSTOMER		SHEET NUMBER
2 PLACES ±		2010/01/25		SEE TABLE				1 OF 1
1 PLACE ±		2010/01/25						
0 PLACES ±		2010/01/25						
DRAFT WHERE APPLICABLE MUST REMAIN WITHIN DIMENSIONS		THIRD ANGLE PROJECTION	DRAWING	SERIES	MATERIAL NUMBER	CUSTOMER	SHEET NUMBER	
			B-SIZE	106397	SEE TABLE			