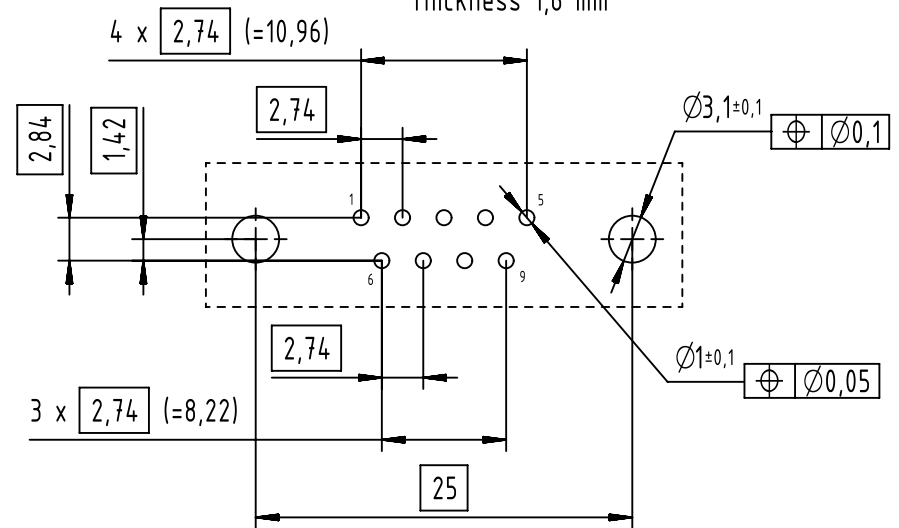
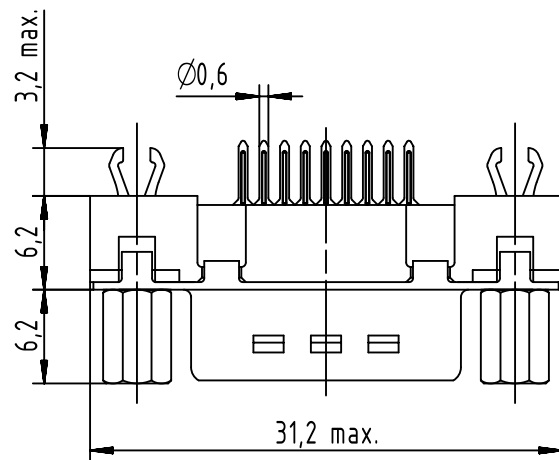
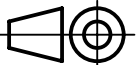



PC-Board layout  
view component side  
thickness 1,6 mm



Connector retention and insertion forces on PC-Board: 25 N / 80 N

09651613733	M3	PL1	 All Dimensions in mm Original Size DIN A4	Scale 2:1	Free size tol.			Ref.	
09651616733	M3	PL2		 All rights reserved Department EC PD - FR HARTING Electronics GmbH D-32339 Espelkamp	Created by SONN	Inspected by BAGDIKIAN	Standardisation HOFFMANN	Date 2014-09-11	State Final Release
09651617733	M3	PL3			Title D-Sub 9-Pole Male Straight			Doc-Key / ECM-Nr. 100593487/UGD/000/A 500000079204	
09651613713	4-4UNC	PL1	Type TB		Number 0965161X7X3			Rev. A	Page 1/1
09651616713	4-4UNC	PL2							
09651617713	4-4UNC	PL3							
Part number	Screw lock thread	Performance level							