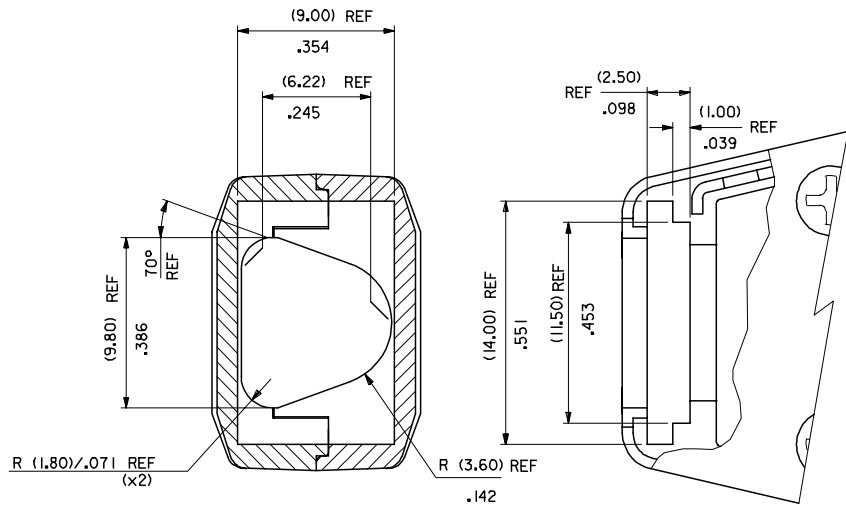
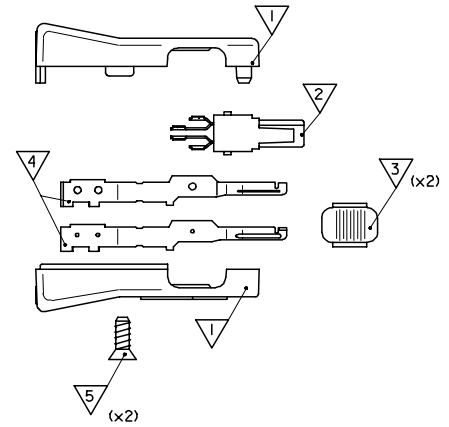


13 12 11 10 9 8 7 6 5 4 3 2 1

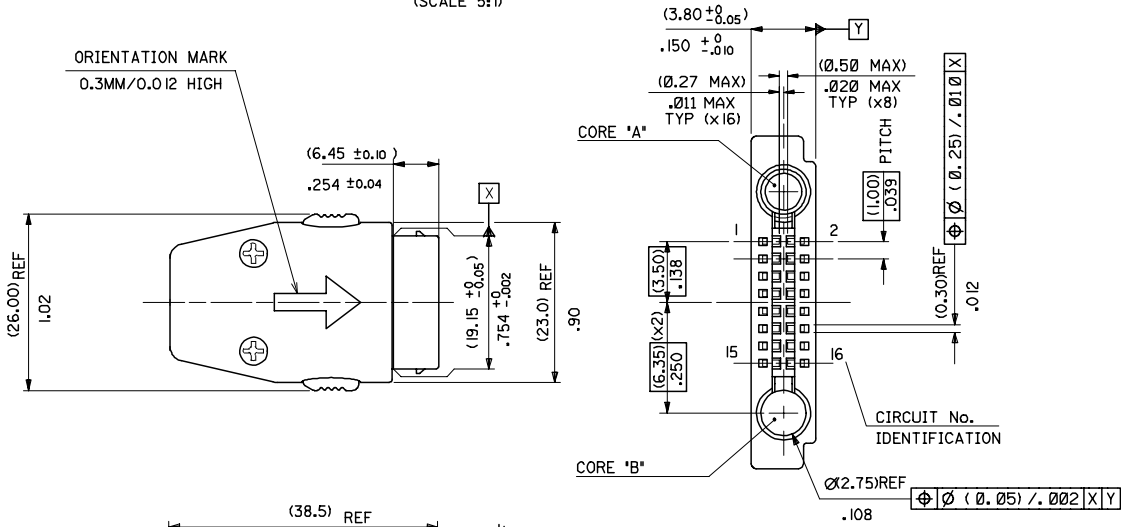


NO.	DESCRIPTION
1	UPPER SHELL LOWER SHELL
2	16 CIRCUIT I/O MOBILE PHONE PLUG CONNECTOR
3	BUTTONS
4	METAL LOCKING LATCHES
5	SCREWS : SELF TAPPING

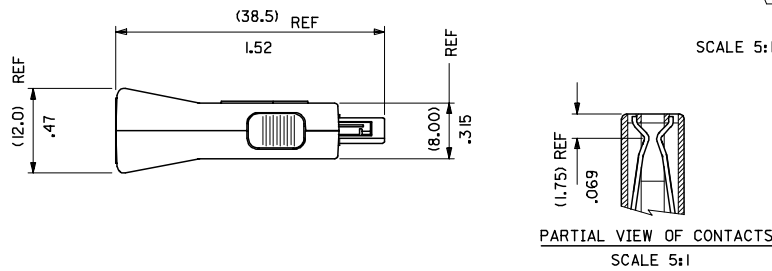
KIT No.	COMPONENTS	RF CORING CONFIG	
		CORE 'A'	CORE 'B'
90813-0001	1, 2, 3, 4, 5	VOID	RF
90813-0002	1, 2, 3, 4, 5	RF	VOID
90813-0003	1, 2, 3, 4, 5	RF	RF
90813-0004	1, 2, 3, 4, 5	VOID	VOID
90813-0005	3, 4	N/A	N/A



**RECESS FOR CABLE STRAIN RELIEF GROMMET**  
(SCALE 5:1)



- NOTES:**
- 1. MATERIALS:  
SHELLS: 30% GLASS FILLED POLYESTER (UL94V-0, COLOUR: BLACK)  
BUTTONS: 30% GLASS FILLED POLYESTER (UL94V-0, COLOUR: BLACK)  
LATCHES: STAINLESS STEEL  
PLUG HOUSING: POLYAMIDE 46, 45% GLASS FILL UL94 V-0, COLOUR - BLACK  
SIGNAL CONTACTS: COPPER ALLOY (0.25mm)/.009uin THICK REF.  
PLATING: (0.10um) / .004uin MIN GOLD FLASH, ON (1.0um) / .039uin MIN PALLADIUM NICKEL WITH (1.27um) / .050uin MIN NICKEL UNDERPLATE, (3-5um) / .118-.197uin MIN TIN IN THE SOLDER CUP AREA.
  - 2. MATES WITH SERIES 90811 HANDSET CONNECTOR.
  - 3. SEE PACKAGING SPECIFICATION ES-99039-0002.
  - 4. SEE PRODUCT SPECIFICATION PS-99020-0045.
  - 5. SEE TERMINATION SPECIFICATION ES-99033-0003.
  - 6. FOR RF COAX INSERT, USE MOLEX 90853-0001 SUPPLIED SEPARATELY.



<b>MOD HSG MATERIAL</b> ELC NO: E2007-0847 DRAWN BY: DCARTON CHKD: FDUCCAN APPR: EFOLAN DATE: 2007/04/26 DATE: 2007/04/27 DATE: 2007/05/03	QUALITY SYMBOLS =0 >=0	GENERAL TOLERANCES (UNLESS SPECIFIED) mm INCH		DIMENSION STYLE MM ONLY		SCALE 2:1	DESIGN UNITS METRIC	THIRD ANGLE PROJECTION	
		DRAFT WHERE APPLICABLE MUST REMAIN WITHIN DIMENSIONS		DRAWN BY DATE DCARTON 2007/03/27		CHECKED BY DATE FDUCCAN 2007/03/27		APPROVED BY DATE EFOLAN 2007/03/27	
				MOLEX INCORPORATED		DOCUMENT NO. SDA-90813		SHEET NO. 1 OF 1	

12 11 10 9 8 7 6 5 4 3 2 1