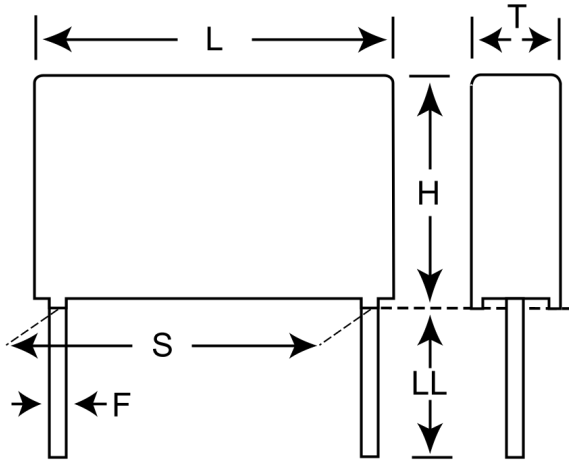


R75LF26804000K

Aliases (75LF26804000K)

R75L, Film, Metallized Polypropylene, General Purpose, 0.068 uF, 10%, 560 VDC, 85°C, Lead Spacing = 10mm



Click [here](#) for the 3D model.

Dimensions	
L	13mm +0.3mm
H	12mm +0.1mm
T	6mm +0.2mm
S	10mm +/-0.4mm
LL	30mm +5mm
F	0.8mm +/-0.05mm

Packaging Specifications	
Packaging	Bulk, Box

General Information	
Series	R75L
Dielectric	Metallized Polypropylene
Style	Radial
Features	Pulse, Capacitive Power Supply
RoHS	Yes
Lead	Wire Leads
AEC-Q200	No
Component Weight	1.238 g

Specifications	
Capacitance	0.068 uF
Capacitance Tolerance	10%
Voltage AC	250 VAC
Voltage DC	560 VDC, 336 VDC (105C)
Temperature Range	-55/+105°C
Rated Temperature	85°C
Dissipation Factor	4% 1kHz, 6% 10kHz, 25% 100kHz
Insulation Resistance	440 GOhms
Max dV/dt	1500 V/us
Inductance	10 nH