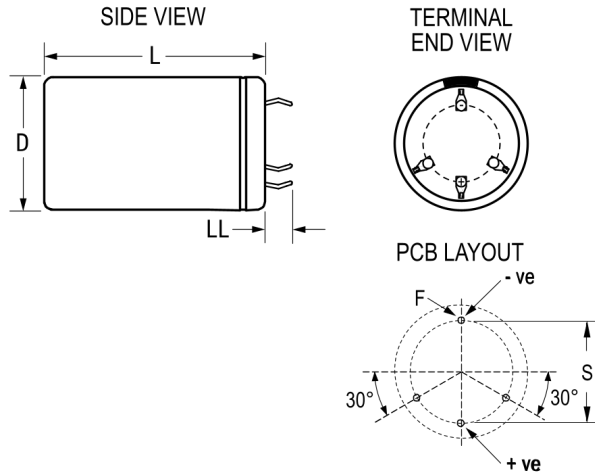


PEH506YDG3470M4

Aliases (A511EH471M450C)

PEH506, Aluminum Electrolytic, 470 uF, 20%, 450 VDC, -40/+85°C



Click [here](#) for the 3D model.

Dimensions

D	35mm +/-0.5mm
L	50mm +/-1mm
S	22.5mm NOM
LL	6.3mm +/-1mm
F	2mm +/-0.1mm

Packaging Specifications

Packaging	Bulk, Bag
-----------	-----------

General Information

Series	PEH506
Dielectric	Aluminum Electrolytic
Description	Snap-In, Aluminum Electrolytic
RoHS	Yes
Lead	4 Pin
AEC-Q200	No
Component Weight	72 g
Notes	Add 0.5mm To D And 1mm To L For Sleeving.
Shelf Life	208 Weeks

Specifications

Capacitance	470 uF
Capacitance Tolerance	20%
Voltage DC	450 VDC
Temperature Range	-40/+85°C
Rated Temperature	85°C
Life	3000 Hrs (Rated Voltage And Ripple Current At 85C), 6000 Hrs (Rated Voltage At 85C)
Resistance	210 mOhms (100Hz 20C), 130 mOhms (100kHz 20C)
Ripple Current	2.7 Amps (100Hz 85C), 9.3 Amps (20kHz 40C)
Leakage Current	635 uA (5min 20°C)