

NSM-205GP

4G+1G Combo Port Gigabit Unmanaged Ethernet Switch with 4 IEEE 802.3af/at PoE+ ports



Features ▶▶▶▶

- Full Gigabit Ethernet ports
- 4 PoE/PoE+ PSE capable ports, fully compliant to IEEE 802.3af/at
- 24/48 V_{DC} flexible redundant power inputs
- Supports 10 KB jumbo frames
- Pluggable SFP transceiver port
- Supports Auto Negotiation and Auto MDI/MDI-X
- Supports Dual +18 ~ 55 VDC power input and 1 relay output
- Supports operating temperatures from -40 ~ +75°C
- DIN-Rail Mounting, Wall Mounting (optional)

Introduction

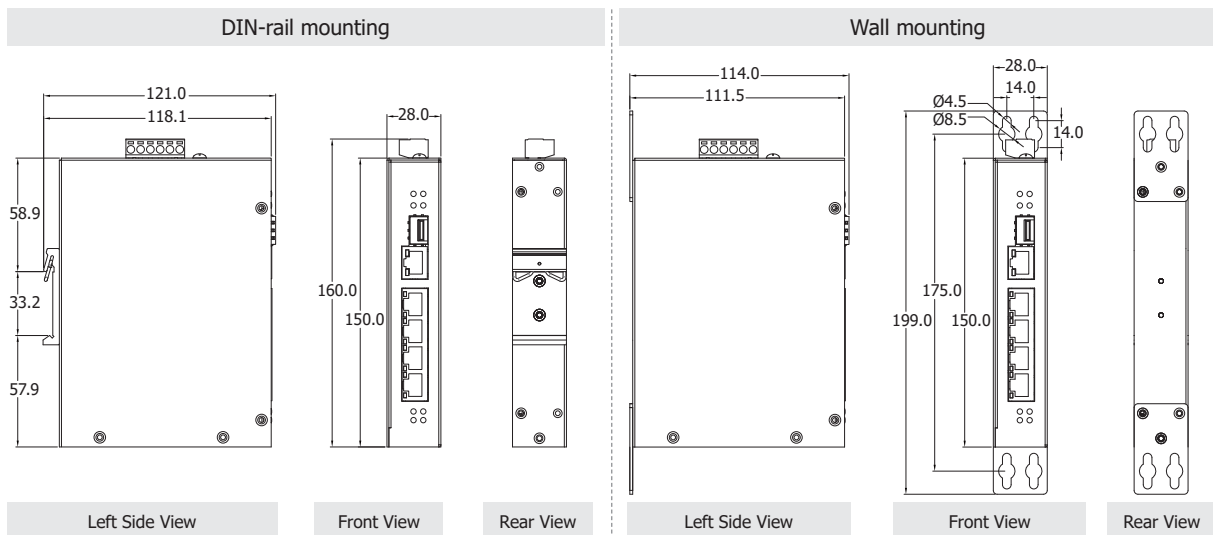
The NSM-205GP is 5-port unmanaged full Gigabit Ethernet switch supporting Power-over-Ethernet on ports 1 to 4. The switch is classified as power source equipment (PSE), and when used in this way, the NSM-205GP switch enable centralization of the power supply, providing up to 30 watts. The NSM-205GP can be used to power IEEE 802.3af/at standard devices (PD). Voltage boost technology supports 24V industrial power sources ensuring that a full and proper PSE voltage is available across all PoE ports.

Specifications

Technology	
Standards	IEEE 802.3 for 10Base-T IEEE 802.3u for 100Base-TX IEEE 802.3ab for 1000Base-T IEEE 802.3x for Flow Control IEEE 802.3af Power Over Ethernet IEEE 802.3at Power Over Ethernet Energy Efficient Ethernet (EEE) as per 802.3az; this provides power savings during idle network activity
Processing Type	Store & forward; wire speed switching
MAC Addresses	8K
Memory Bandwidth	10 Gbps
Frame Buffer Memory	1 Mbit
Jumbo Frames	10K for Speed 1000M
Flow Control	IEEE 802.3x flow control, back pressure flow control

Interface	
RJ-45 Ports	10/100/1000 BaseT(X), 10/100BaseT(X) auto negotiation speed, full/half duplex mode, and auto MDI/MDI-X connection
Fiber Port	1000BaseSFP slot/100BaseSFP slot
LED Indicators	PWR1, PWR2, Power fail, 10/100M, 1000M, Link/Act, Power Device is detected
Ethernet Isolation	1500 V _{rms} 1 minute
DIP Switch	100BaseSFP/1000BaseSFP and PoE/PoE+ setting
Power Input	
Redundant Input Range	Flexible input +24/+48 V _{dc} Nominal. (+18 ~ +55 V _{dc})
Power Consumption	0.13@ 48 V _{dc} without PD loading; 3.1 A @ 48 V _{dc} with PD full loading (30 W per ports) 0.25@ 24 V _{dc} without PD loading; 6.2 A @ 24 V _{dc} with PD full loading (30 W per ports)
Alarm Contact	One relay output with current carrying capacity of 1A @ 30 V _{dc}
Protection	Power reverse polarity protection
Connector	6-Pin Removable Terminal Block (Power & Relay)
Mechanical	
Chassis	Metal with an IP30 ingress protection rating
Dimensions (W x L x H)	DIN-rail mounting: 28 mm x 160 mm x 121 mm Wall mounting: 28 mm x 199 mm x 114 mm
Installation	DIN-rail mounting or wall mounting (optional)
Environment	
Operating Temperature	-40 °C ~ + 75 °C
Storage Temperature	-40 °C ~ + 85 °C
Ambient Relative Humidity	10 ~ 90% RH, non-condensing

Dimensions (Units: mm)



Ordering Information

NSM-205GP CR	4G+1G Combo Port Gigabit Unmanaged Ethernet Switch with 4 IEEE 802.3af/at PoE+ ports (RoHS)
--------------	---

Applications



Accessories

ASO-0015 CR	Wall Mount Kit (W:28mm) (RoHS)	
SFP-100M13M-FX	100Base-FX, Multi-mode 1310 nm, 2 km SFP module	
SFP-1G85M-SX	1000Base-SX, Multi-mode 850 nm, 0.5 km SFP module	
SFP-1G13M-SX2	1000Base-SX2, Multi-mode 1310 nm, 2 km SFP module	
SFP-1G13S-LX	1000Base-LX, Single-mode 1310 nm, 10 km SFP module	
SFP-1G13S-LX20	1000Base-LX20, Single-mode 1310 nm, 20 km SFP module	