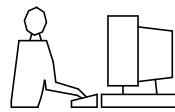


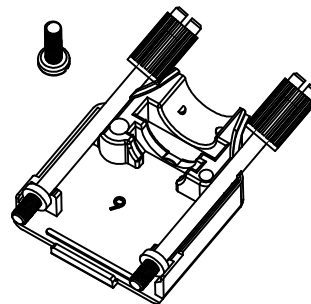
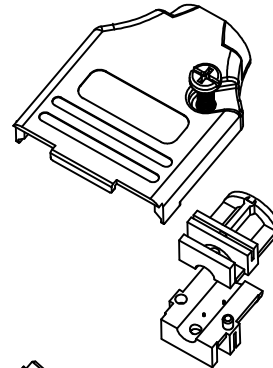
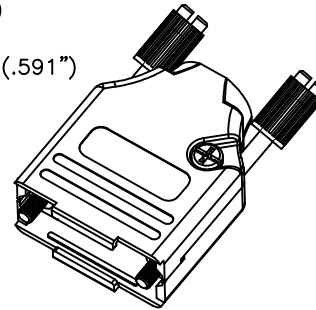
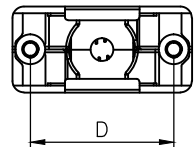
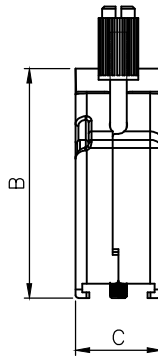
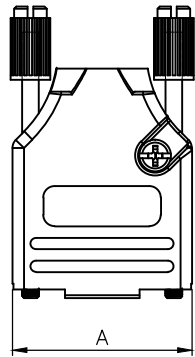
THIS IS A C.A.D. GENERATED DRAWING  
DO NOT MAKE MANUAL REVISIONS TO MASTER.



\* UNLESS OTHERWISE SPECIFIED TOLERANCES  
ON DECIMAL IS: ANGLE  $\pm 1^\circ$   
UNIT: MM .XX  $\pm 0.05$

**BACKSHELL KIT INCLUDES:**

- (2)BACKSHELL HALVES
- (2)4-40 THUMBSCREWS
- (2)HOUSING SCREWS
- (1)SET OF COMPRESSION INSERTS-VARIOUS SIZES FOR 9-37  
DIAMETERS 4mm(.157"), 5mm(.167"), 7mm(.276"), 9mm(.354")
- (1)SET OF COMPRESSION INSERTS-VARIOUS SIZES FOR 50  
DIAMETERS 11mm(.433"), 12.5mm(.492"), 14mm(.551"), 15mm(.591")



DIMENSIONS(mm/in)				
SIZE	A $\pm_{0.02}^{.50}$	B $\pm_{0.02}^{.50}$	C $\pm_{0.02}^{.50}$	D $\pm_{0.01}^{.25}$
9	31.20	39.90	15.00	24.99
	1.228	1.571	0.591	0.984
15	39.50	41.50	15.00	33.32
	1.555	1.634	0.591	1.312
25	53.40	48.60	15.00	47.04
	2.102	1.913	0.591	1.852
37	69.70	53.60	15.00	63.50
	2.744	2.110	0.591	2.500
50	67.50	54.00	18.70	61.00
	2.657	2.126	0.736	2.402

**ORDERING INFORMATON:**

SIZE	P/N - KITTED	PRODUCT CODE
9-WAY	6560-3105-01	MHDTZK-09-RA-PC-K
15-WAY	6560-3105-02	MHDTZK-15-RA-PC-K
25-WAY	6560-3105-03	MHDTZK-25-RA-PC-K
37-WAY	6560-3105-04	MHDTZK-37-RA-PC-K
50-WAY	6560-3105-05	MHDTZK-50-RA-PC-K

SIZE	P/N - BULK	PRODUCT CODE
9-WAY	6561-3105-01	MHDTZK-09-RA-PC
15-WAY	6561-3105-02	MHDTZK-15-RA-PC
25-WAY	6561-3105-03	MHDTZK-25-RA-PC
37-WAY	6561-3105-04	MHDTZK-37-RA-PC
50-WAY	6561-3105-05	MHDTZK-50-RA-PC

BACKSHELL MATERIAL: DIE-CAST ZINC ALLOY  
 PLATING: NICKEL  
 JACKSCREWS: STEEL:ZN PLATED WITH PLASTIC KNOB  
 M3 HOODSCREWS: STEEL:ZN PLATED  
 COMPRESSION INSERT: ABS,UL RECOGNIZED  
 OPERATING TEMP: -40°C TO+120°C

THESE DRAWINGS AND SPECIFICATIONS ARE THE PROPERTY OF MH CONNECTORS AND SHALL NOT BE REPRODUCED, COPIED OR USED AS THE BASIS FOR THE MANUFACTURE OR SALE OF APPARATUS WITHOUT WRITTEN PERMISSION.

DRAWN Johnny DATE 11-24-15

APPROVED Victor Lin DATE 11-24-15

SCALE 1 : 1 SHEET OF 1 OF 1 REV: 7.0

DRAWING No MHDTZK-RA-PC



THIS SERIES FULLY CONFORMS TO THE EUROPEAN UNION DIRECTIVES 2002/95/EC AND 2002/96/EC FOR RoHS COMPLIANCY.

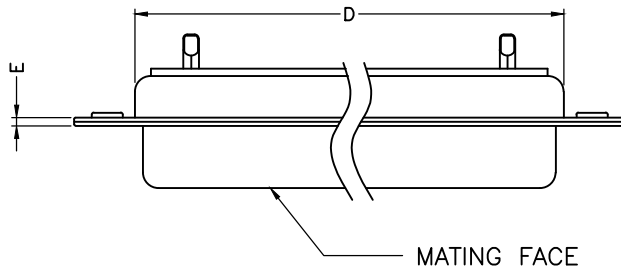
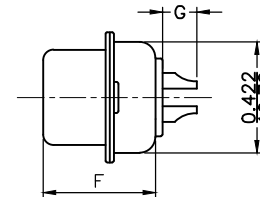
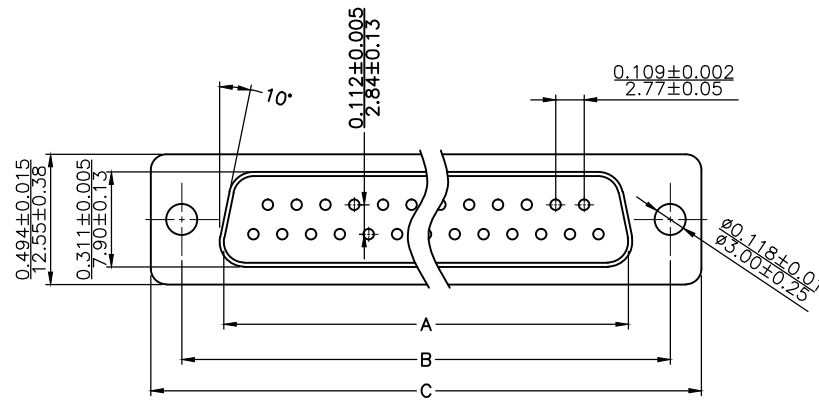


**MH CONNECTORS ,  
DIVISION OF EDAC**

THIS IS A C. A. D. GENERATED DRAWING  
DO NOT MAKE MANUAL REVISIONS TO MASTER.



\* UNLESS OTHERWISE SPECIFIED TOLERANCES  
ON DECIMAL IS: .XX ± 0.25  
UNIT: MM



Material & Finish  
Shell:  
Steel  
Nickel plated

Pin Contact:  
Brass  
Gold plated over nickel

Insulator:  
PBT glass-fiber reinforced UL 94-V0

Number of contact:  
9,15,25,37,50

Current rating: 5 amp

Contact Resistance: 30mΩ MAX

Dielectric strength:  
1000V for one minute

Insulator resistance:  
5000MΩ Min at 500V DC

Temperature: -55°C ~ 105°C

ITEM NO	A ±0.25	B ±0.13	C ±0.38	D ±0.25	E ±0.10	F ±0.13	G ±0.25
MHDM9SS	16.33(0.643)	24.99(0.984)	30.81(1.213)	19.28(0.759)	0.80(0.0315)	10.9(0.429)	3.80(0.150)
MHDM15SS	24.66(0.971)	33.32(1.312)	39.14(1.541)	27.51(1.083)	0.80(0.0315)	10.9(0.429)	3.80(0.150)
MHDM25SS	38.38(1.511)	47.04(1.852)	53.04(2.088)	41.30(1.625)	0.80(0.0315)	10.9(0.429)	3.80(0.150)
MHDM37SS	54.84(2.159)	63.50(2.500)	69.32(2.729)	57.71(2.272)	0.80(0.0315)	10.9(0.429)	3.80(0.150)
MHDM50SS	52.34(2.060)	61.11(2.406)	66.92(2.634)	55.30(2.177)	0.80(0.0315)	10.9(0.429)	3.80(0.150)

THESE DRAWINGS AND SPECIFICATIONS ARE THE PROPERTY OF MH CONNECTORS AND SHALL NOT BE REPRODUCED, COPIED OR USED AS THE BASIS FOR THE MANUFACTURE OR SALE OF APPARATUS WITHOUT WRITTEN PERMISSION.

DRAWN Iven Ou DATE 09-01-22

APPROVED DATE

SCALE 1 : 1 SHEET OF 1 OF 1 REV: 5.0

DRAWING No MHDM SS



THIS SERIES FULLY CONFORMS TO THE EUROPEAN UNION DIRECTIVES 2002/95/EC AND 2002/96/EC FOR RoHS COMPLIANCY.



MH CONNECTORS,  
DIVISION OF EDAC