



Since 1959

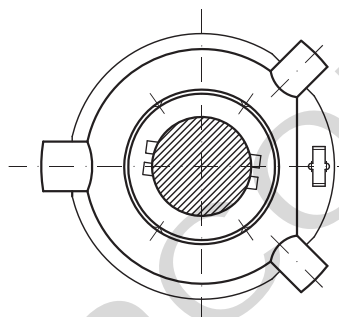
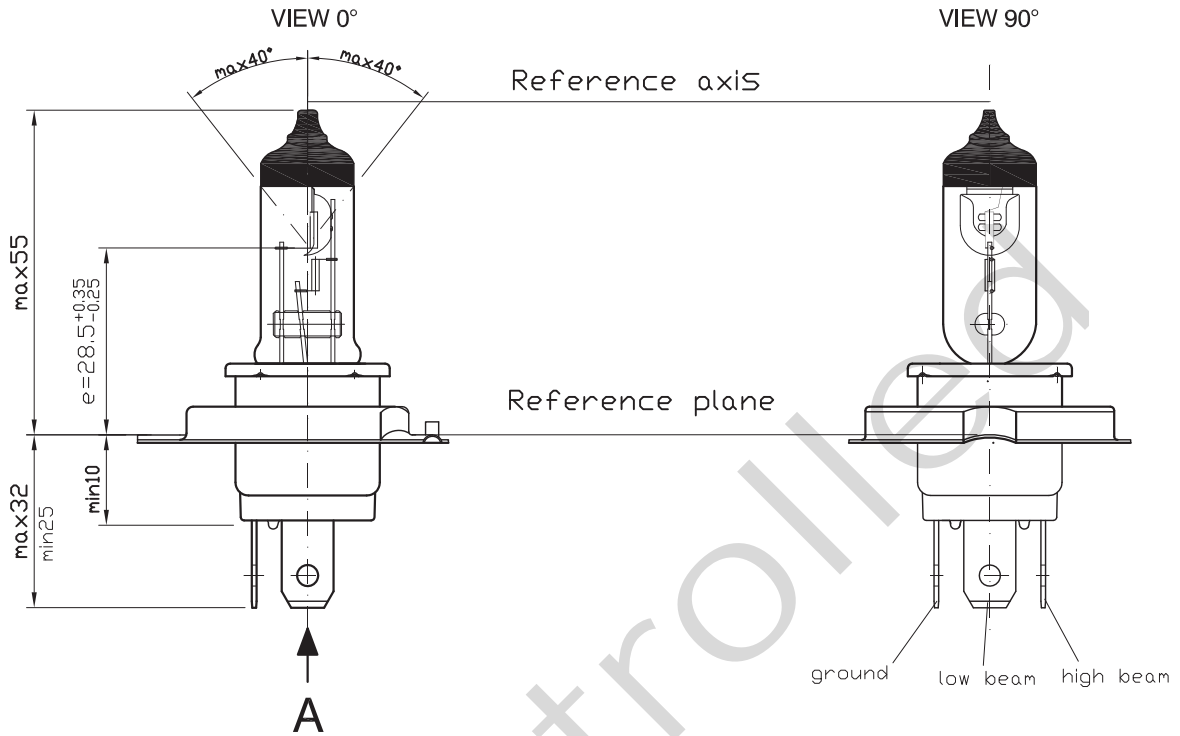
Product Information Sheet

HB2 (9003) 12.8V 67/61W

9003

2018. 04. 10 NEW

2017. 02. 10 OLD



\* all dimensions in mm

Halogen bulb  
 HB2 12.8V 67/61W  
 Cap: <sup>1)</sup> P43t-38  
 Type: 9003  
 ECE R37 (E1) 2XU  
 FMVSS 108 DOT  
 Bulb mat,: Quartz glass

Technical data		FMVSS	
Test voltage		12.8V	
Power		DBF	72W max.
		PBF	65W max.
Luminous flux		DBF	1500lm ±15%
		PBF	910lm ±15%
Lumen maintenance		DBF	90 % min
after		PBF	90 % min
Rated life:		<sup>2) 3)</sup> at 14.0V	
B70:		360 hr	180 hr
B50:		PBF: 320 hr	DBF: 150 hr
B10:		200 hr	70 hr
Maximum operating temperature:		1: bulb 800°C max	
		2: pinch 400°C max	
Vibration resistance acc. to IEC 60810 Annex B; table B.2		> 20h	

1) According to IEC 60061-1 sheet 7004-39-6  
 2) According to SAE J 1383 Annex 5.20  
 3) Switching cycle according to SAE J 1383 5.20.2  
 4) According to IEC 60810 Annex A  
 5) Switching cycle according to IEC 60810 Annex A;4.1.1  
 6) Switching cycle according to IEC 60810 Annex A;4.1.2  
 7) Switching cycle according to IEC 60810 Annex A;4.2