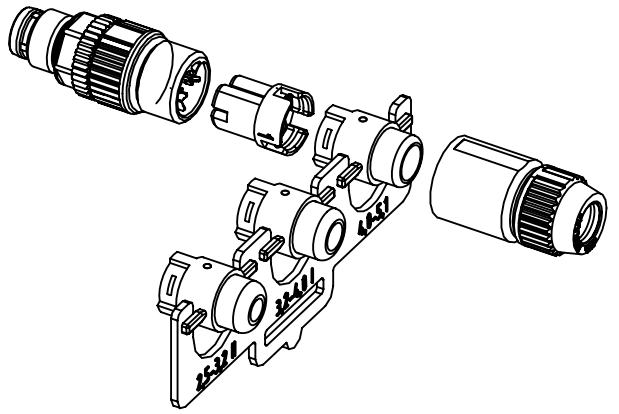



contact face acc. to  
IEC 61076-2-104

conductor cross section	0.14mm <sup>2</sup> -0.34mm <sup>2</sup> AWG26-AWG22
cable outside diameter	2.5 - 5.1mm



	All rights reserved Department EL PD	All Dimensions in mm Original Size DIN A4	Scale 2:1	Free size tol.	Ref. Sub.
		HARTING Electronics GmbH D-32339 Espelkamp	Created by DYCKC	Inspected by WELLMANN	Standardisation KOHLER
		Title M8-S male 3-pole			Doc-Key / ECM-Nr. 100218246/UGD/003/J 500000174083
		Type TB	Number 21021511305		Rev. J Page 1/1