

M20x1,5

M20 M20
19370061290
XXXXXXXXXX
Type 4/12 enclosure

M20x1,5

Ø5,6

70
82

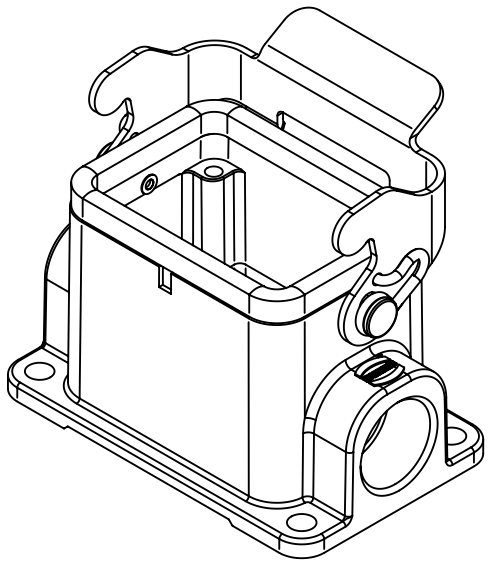
seal


51,5

14,7

18,8

40
52



	All rights reserved		Created by 102700		Inspected by SUNDERMEIER		Standardisation RUETERA		Date 2020-02-21		State Final Release	
	Department EL PD		Title Han 6M Base Surface LC 1 Lever 2 x M20		Number 19 37 006 1290		Doc-Key / ECM-Nr. 100208682/UGD/004/C 500000167217		Rev. C		Page 1/1	
HARTING Electric GmbH & Co. KG D-32339 Espelkamp			All Dimensions in mm Original Size DIN A4		Scale 1:1		Free size tol.		Ref. Sub. TB 19 37 006 1290 v. 26.04.11			