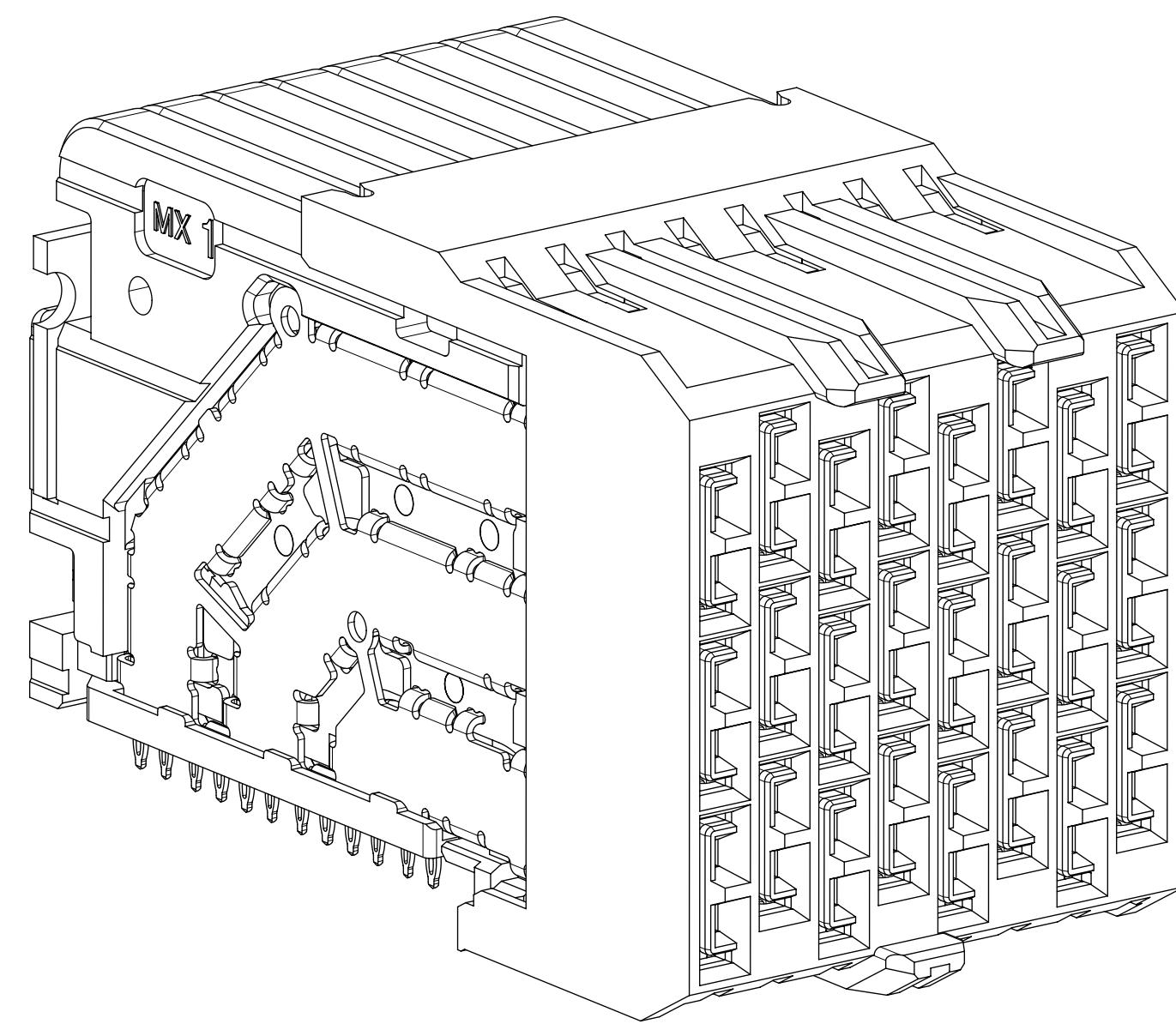


NOTES:

1. MATERIALS: HOUSING - LIQUID CRYSTAL POLYMER (LCP)
GLASS-FILLED, UL94V-0
TERMINALS - HIGH PERFORMANCE COPPER ALLOY
2. FINISH: 30uIN GOLD IN CONTACT AREA.
SELECTIVE TIN ON PCB TAILS.
NICKEL OVERALL.
3. REFER TO MOLEX PRODUCT SPECIFICATION PS-172740-999 FOR PERFORMANCE SPECIFICATIONS.
4. THIS PART CONFORMS TO CLASS B REQUIREMENTS OF MOLEX COSMETIC SPEC PS-45499-002.
5. PRODUCT WILL BE PACKAGED PER PK-78888-083.
6. SEE SHEET 2 FOR HOLE PATTERN DIMENSIONS.
7. MATES WITH IMPEL BP SERIES NUMBER 171335.
8. REFER TO IMPEL PCB ROUTING GUIDE AS-172730-990 FOR ANTIPAD, ROUTING RECOMMENDATIONS, AND ADDITIONAL PCB INFORMATION.
9. WHEN STACKING MODULES END TO END, THE MINIMUM COLUMN TO COLUMN HOLE SPACING IS 2.65mm.



THIS DRAWING CONTAINS INFORMATION THAT IS PROPRIETARY TO MOLEX ELECTRONIC TECHNOLOGIES, LLC AND SHOULD NOT BE USED WITHOUT WRITTEN PERMISSION

DIMENSION UNITS		SCALE		CURRENT REV DESC: REV TABLE ADD 10C									
mm		NTS											
GENERAL TOLERANCES (UNLESS SPECIFIED)								IMPEL PLUS DAUGHTERCARD 3 PAIR - 1.9MM PITCH UNGUIDED SALES DRAWING PRODUCT CUSTOMER DRAWING					
ANGULAR TOL		± 0.5°		EC NO: 611015									
4 PLACES		±		DRWN: CYLIAW		2019/01/08							
3 PLACES		±		CHK'D: YLLIM		2019/01/25							
2 PLACES		± 0.13		APPR: DWLEE01		2019/02/04							
1 PLACE		± 0.25		INITIAL REVISION:				DOCUMENT NUMBER SD-172730-0001					
0 PLACES		±		DRWN: VNANDAM		2016/05/09							
				APPR: DWLEE01		2017/06/22		DOC TYPE		DOC PART		REVISION	
				DRAWING		SERIES		MATERIAL NUMBER		CUSTOMER		SHEET NUMBER	
DRAFT WHERE APPLICABLE MUST REMAIN WITHIN DIMENSIONS		THIRD ANGLE PROJECTION		C-SIZE		172730		SEE TABLE		GENERAL MARKET		1 OF 2	

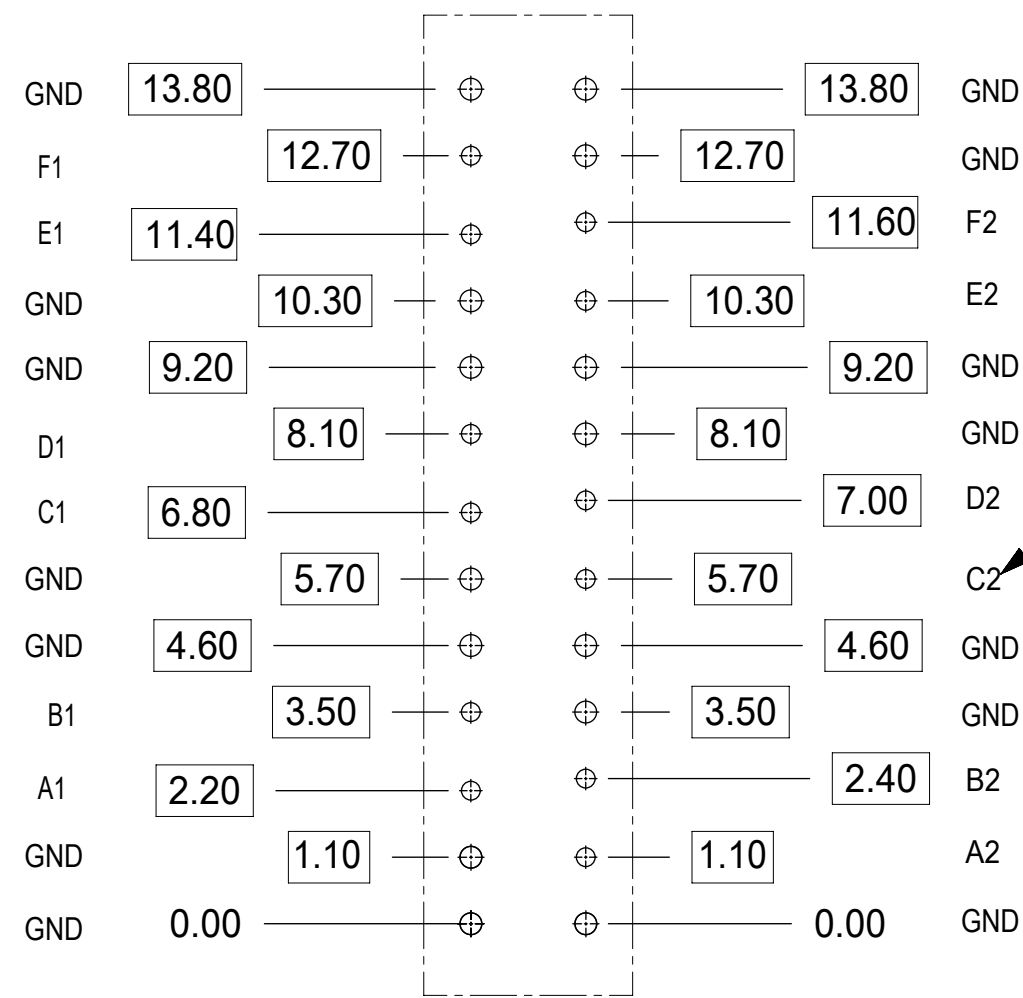
DOCUMENT STATUS	P1	RELEASE DATE	2019/02/04	00:10:38
-----------------	----	--------------	------------	----------

MATERIAL NUMBER	NUMBER OF COLUMNS	NUMBER OF DIFF PAIR	DIM 'A'	DIM 'B'
172730-1138	8	24	15.95 MAX	13.30
172730-1120	10	30	19.75 MAX	17.10

172730-11**

MODULE TYPE
1 = UNGUIDED

COLUMN SIZE
20 = 10 COLUMN
22 = 12 COLUMN
26 = 16 COLUMN
38 = 8 COLUMN

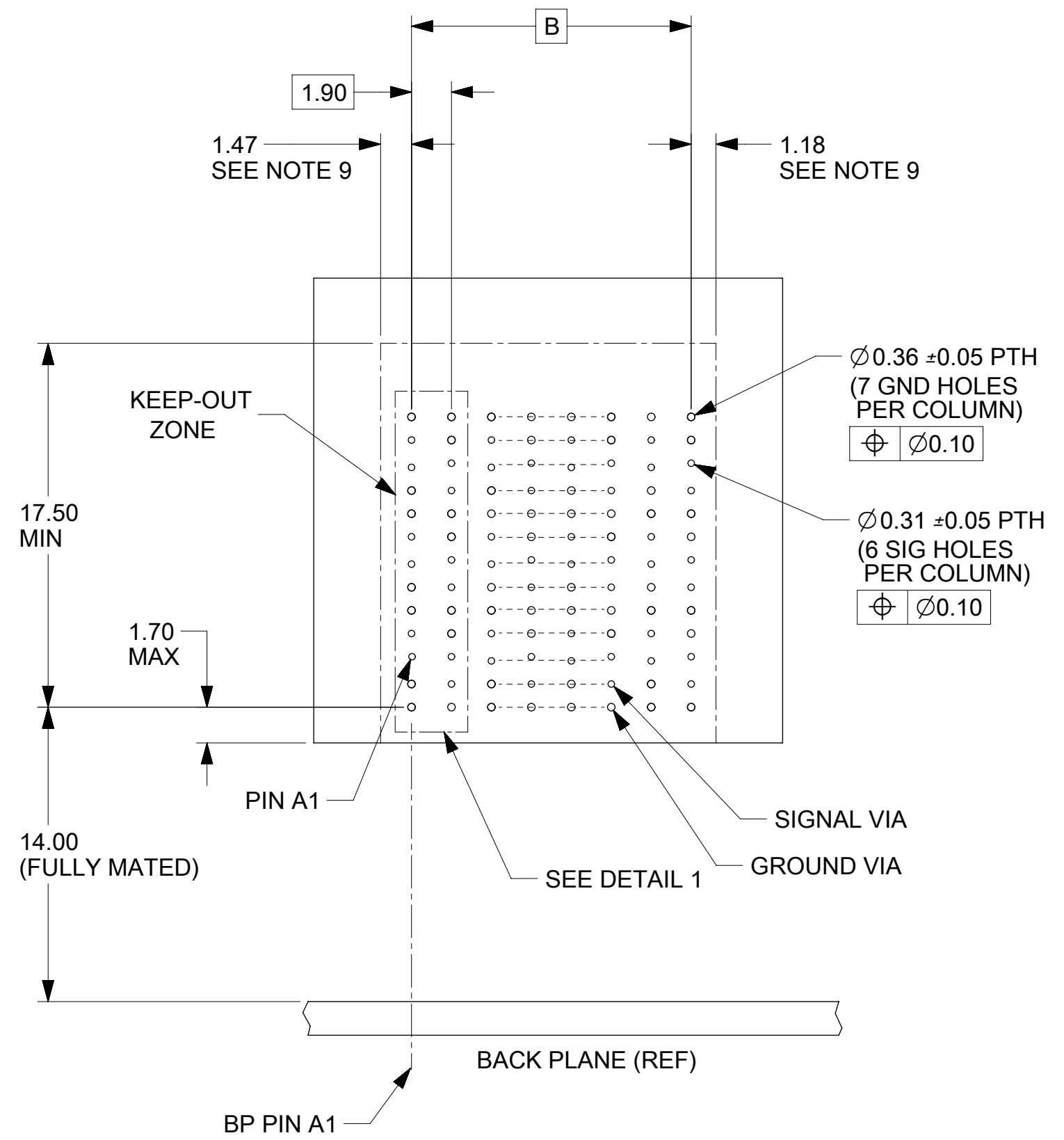


ODD COLUMN DIMENSIONS

EVEN COLUMN DIMENSIONS

DETAIL 1
SCALE 8:1

ACTUAL PIN NUMBERS
DEPENDENT UPON
CONNECTOR COLUMN SIZE



DAUGHTERCARD HOLE PATTERN (CONNECTOR SIDE)

THIS DRAWING CONTAINS INFORMATION THAT IS PROPRIETARY TO MOLEX ELECTRONIC TECHNOLOGIES, LLC AND SHOULD NOT BE USED WITHOUT WRITTEN PERMISSION									
DIMENSION UNITS		SCALE		CURRENT REV DESC: REV TABLE ADD 10C				molex	
mm		NTS							
GENERAL TOLERANCES (UNLESS SPECIFIED)				EC NO: 611015				IMPEL PLUS DAUGHTERCARD 3 PAIR - 1.9MM PITCH UNGUIDED SALES DRAWING	
ANGULAR TOL ± 0.5°				DRWN: CYLIAW 2019/01/08					
4 PLACES ±				CHK'D: YLLIM 2019/01/25				PRODUCT CUSTOMER DRAWING	
3 PLACES ±				APPR: DWLEE01 2019/02/04					
2 PLACES ± 0.13				INITIAL REVISION:				DOCUMENT NUMBER	
1 PLACE ± 0.25				DRWN: VNANDAM 2016/05/09					
0 PLACES ±				APPR: DWLEE01 2017/06/22				SD-172730-0001	
DRAFT WHERE APPLICABLE MUST REMAIN WITHIN DIMENSIONS		THIRD ANGLE PROJECTION		DRAWING		SERIES		MATERIAL NUMBER	
		C-SIZE		172730		SEE TABLE		CUSTOMER	
						GENERAL MARKET		SHEET NUMBER	
								2 OF 2	