

PLEASE CHECK WWW.MOLEX.COM FOR LATEST PART INFORMATION

Part Number: [1054302207](#)
Status: **Active**
Overview: [Nano-Fit Power Connectors](#)
Description: Nano-Fit Right-Angle Header, Surface Mount, 2.50mm Pitch, Single Row, 7 Circuits, 0.38µm Gold (Au) Plating, Natural, Glow-Wire Capable

Documents:

| | |
|--|---|
| Drawing (PDF) | Application Specification AS-105405-001-001 (PDF) |
| Product Specification 1054051000-PS-CH-000 (PDF) | Packaging Specification 1054301000-PK-000 (PDF) |
| Product Specification 1054051000-PS-ES-000 (PDF) | Test Summary 1054050000-TS-000 (PDF) |
| Product Specification 1054051000-PS-SK-000 (PDF) | Datasheet (PDF) |
| Product Specification PS-105405-001-001 (PDF) | RoHS Certificate of Compliance (PDF) |

General

| | |
|----------------|---|
| Product Family | PCB Headers |
| Series | 105430 |
| Application | Power, Wire-to-Board |
| Overview | Nano-Fit Power Connectors |
| Product Name | Nano-Fit |
| UPC | 191128956857 |

Physical

| | |
|--------------------------------|------------------------|
| Breakaway | No |
| Circuits (Loaded) | 7 |
| Circuits (maximum) | 7 |
| Color - Resin | Natural |
| Durability (mating cycles max) | 50 |
| Glow-Wire Capable | Yes |
| Keying to Mating Part | Yes |
| Lock to Mating Part | Yes |
| Material - Metal | Brass |
| Material - Plating Mating | Gold |
| Material - Plating Termination | Tin |
| Material - Resin | Liquid Crystal Polymer |
| Net Weight | 1.150/g |
| Number of Rows | 1 |
| Orientation | Right Angle |
| PCB Locator | No |
| PCB Thickness - Recommended | 1.60mm |
| Packaging Type | Embossed Tape on Reel |
| Pitch - Mating Interface | 2.50mm |
| Pitch - Termination Interface | 2.50mm |
| Plating min - Mating | 0.380µm |
| Plating min - Termination | 0.762µm |
| Polarized to Mating Part | Yes |
| Polarized to PCB | No |
| Temperature Range - Operating | -40° to +115°C |
| Termination Interface: Style | Surface Mount |

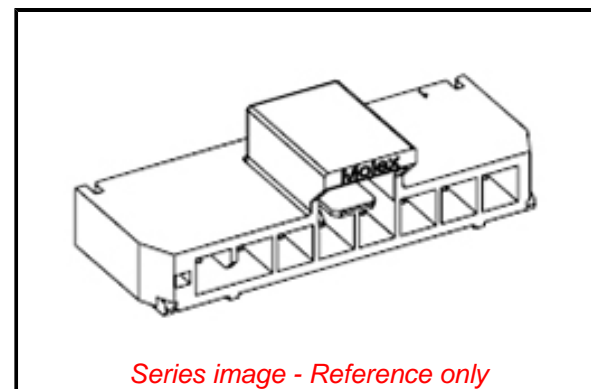
Electrical

| | |
|-------------------------------|------------------|
| Current - Maximum per Contact | 6.5A |
| Voltage - Maximum | 250V AC (RMS)/DC |

Material Info

Reference - Drawing Numbers

| | |
|---------------------------|-------------------|
| Application Specification | AS-105405-001-001 |
| Packaging Specification | 1054301000-PK-000 |



Series image - Reference only

EU ELV

Not Relevant

EU RoHS

Compliant

REACH SVHC

Not Contained Per -
D(2020)9139-DC (19
Jan 2021)

Halogen-Free

Status

Low-Halogen

For more information, please visit [Contact US](#)

China ROHS

ELV

RoHS Phthalates

China RoHS

Green Image

Not Relevant

Not Contained

Search Parts in this Series

[105430 Series](#)

Mates With

Nano-Fit Receptacle Housing [1053072207](#)

Product Specification

Sales Drawing

Test Summary

1054051000-PS-CH-000, 1054051000-PS-ES-000,

1054051000-PS-SK-000, PS-105405-001-001

SD-105430-001-000

1054050000-TS-000

This document was generated on 06/11/2021

PLEASE CHECK WWW.MOLEX.COM FOR LATEST PART INFORMATION