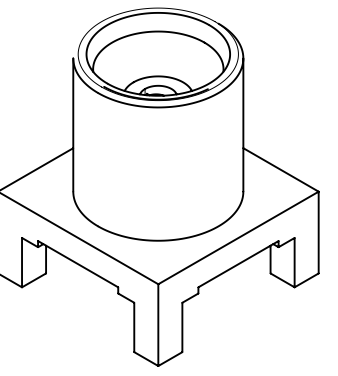
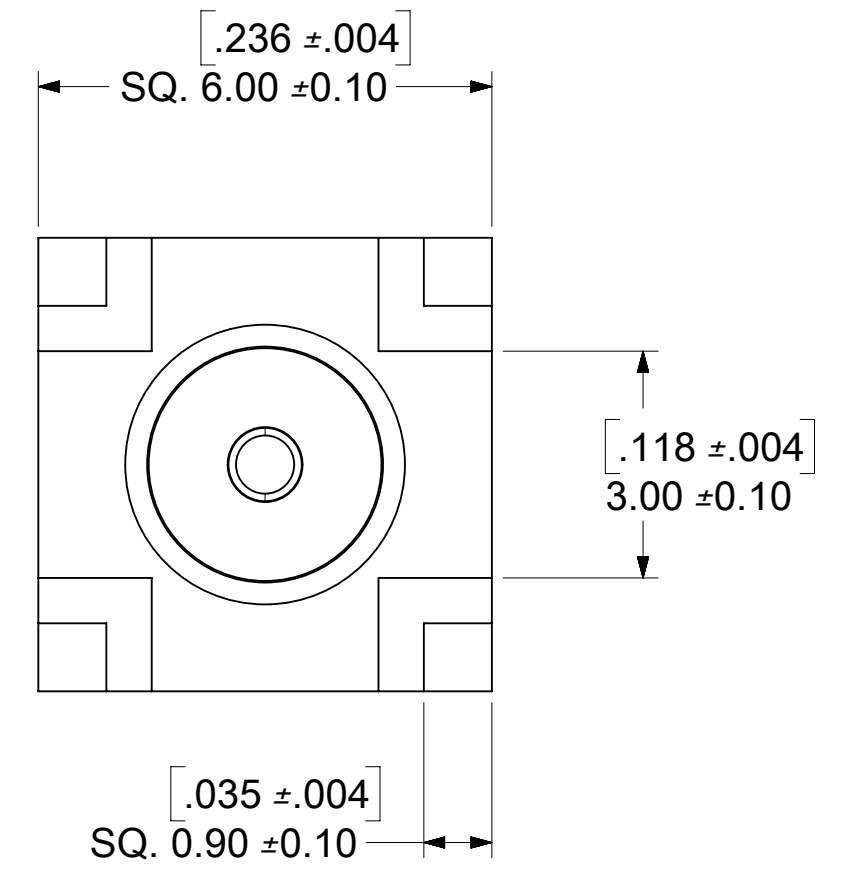
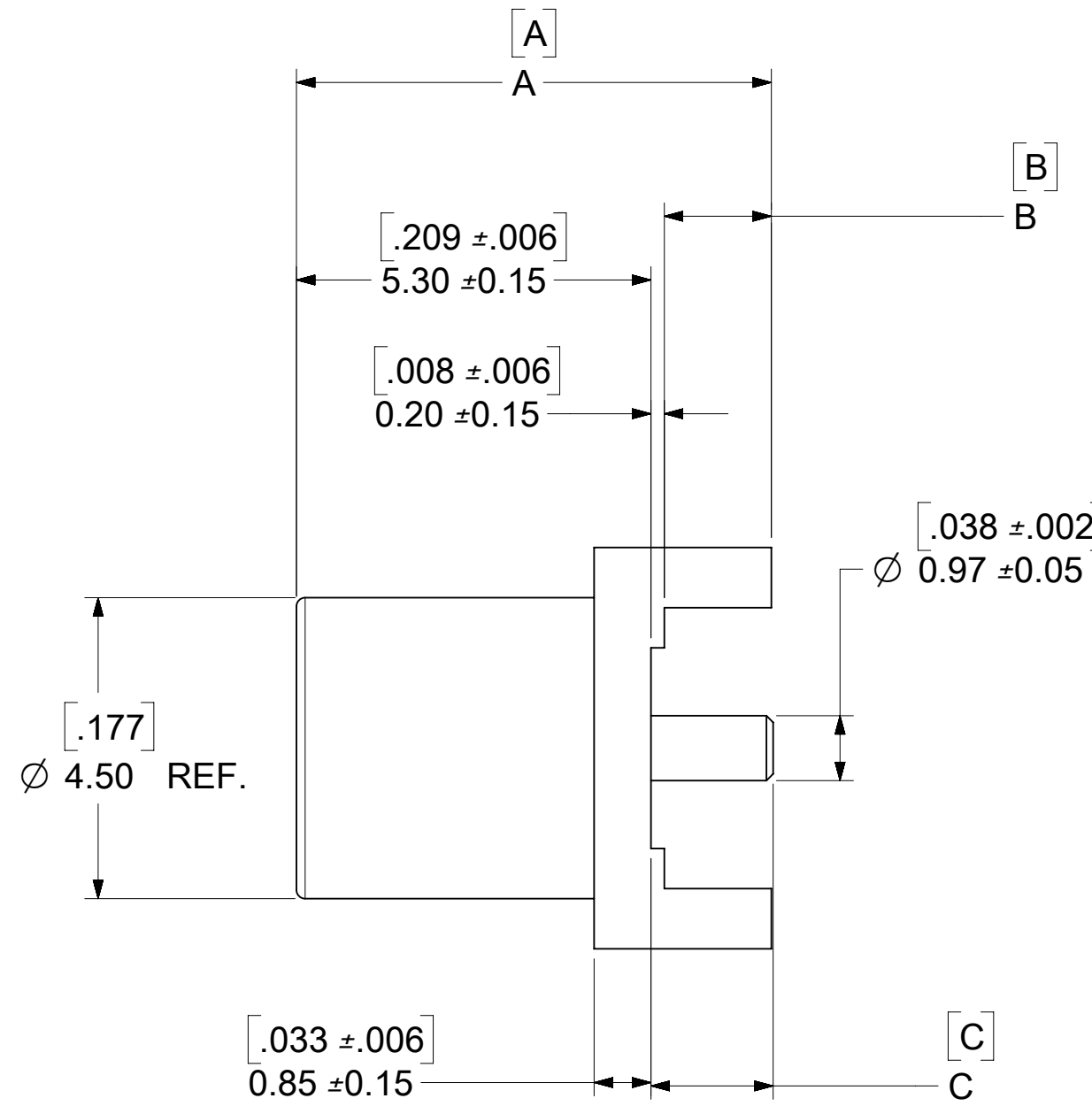
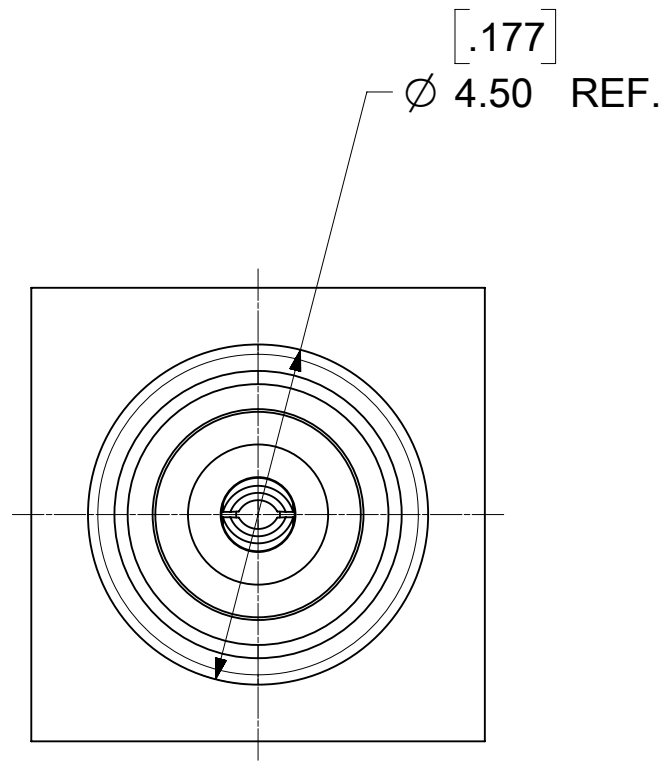


MATERIALS AND FINISHES:

CONTACT: BERYLLIUM COPPER
 PLATED GOLD 30u" MIN. OVER NICKEL 50u" MIN.
 (73366-6190/6191 PLATING SEE TABLE)

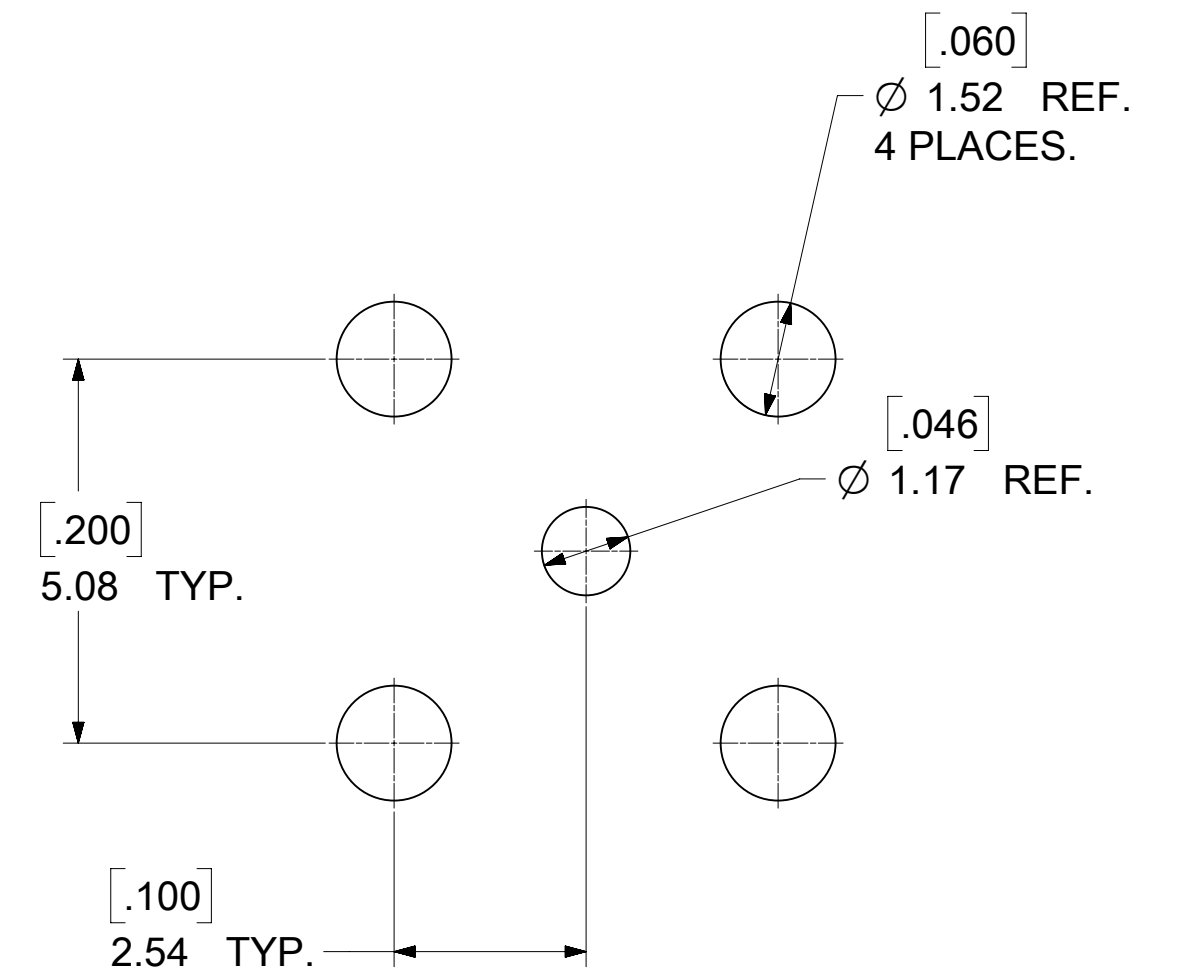
INSULATOR: TEFLON

BODY: BRASS
 PLATED SEE TABLE



SEE SD-73366-619 FOR CONTINUATION OF TABULATION

73366-6192	.280±.006	7.10±0.15	.062±.006	1.58±0.15	.073±.006	1.86±0.15	GOLD 1u" MIN.	CONTACT GOLD 1u" MIN. ; TAPE & REEL
73366-6191	.280±.006	7.10±0.15	.062±.006	1.58±0.15	.073±.006	1.86±0.15	GOLD 1u" MIN.	73366-0061 TAPE & REEL
73366-6190	.579±.006	14.70±0.30	.062±.006	1.58±0.15	.071 REF	1.81 REF	GOLD 1u" MIN.	CONTACT GOLD 10u" MIN. ; TRAY
73366-0069	.280±.006	7.10±0.15	.062±.006	1.57±0.15	.073±.006	1.86±0.15	GOLD 1u" MIN.	1 PC 73366-0061 PER BAG
73366-0068	.280±.006	7.10±0.15	.062±.006	1.57±0.15	.073±.006	1.86±0.15	NICKEL 70u" MIN.	73366-0060 SMALL TRAY
73366-0067	.280±.006	7.10±0.15	.062±.006	1.57±0.15	.073±.006	1.86±0.15	NICKEL 70u" MIN.	1 PC 73366-0060 PER BAG
73366-0066	.236±.006	5.99±0.15	.019±.006	0.50±0.15	.031±.006	0.80±0.15	GOLD 1u" MIN.	73366-0065 TAPE & REEL
73366-0065	.236±.006	5.99±0.15	.019±.006	0.50±0.15	.031±.006	0.80±0.15	GOLD 1u" MIN.	TRAY
73366-0064	.236±.006	5.99±0.15	.019±.006	0.50±0.15	.031±.006	0.80±0.15	NICKEL 70u" MIN.	73366-0063 TAPE & REEL
73366-0063	.236±.006	5.99±0.15	.019±.006	0.50±0.15	.031±.006	0.80±0.15	NICKEL 70u" MIN.	TRAY
73366-0062	.280±.006	7.10±0.15	.062±.006	1.57±0.15	.073±.006	1.86±0.15	NICKEL 70u" MIN.	73366-0060 TAPE & REEL
73366-0061	.280±.006	7.10±0.15	.062±.006	1.57±0.15	.073±.006	1.86±0.15	GOLD 1u" MIN.	TRAY
73366-0060	.280±.006	7.10±0.15	.062±.006	1.57±0.15	.073±.006	1.86±0.15	NICKEL 70u" MIN.	TRAY
PART NO.	IN	MM	IN	MM	IN	MM	PLATING	CONTACT PLATING & PACKAGE
DIM (X)	DIM A		DIM B		DIM C		BODY	



SUGGESTED PCB LAYOUT

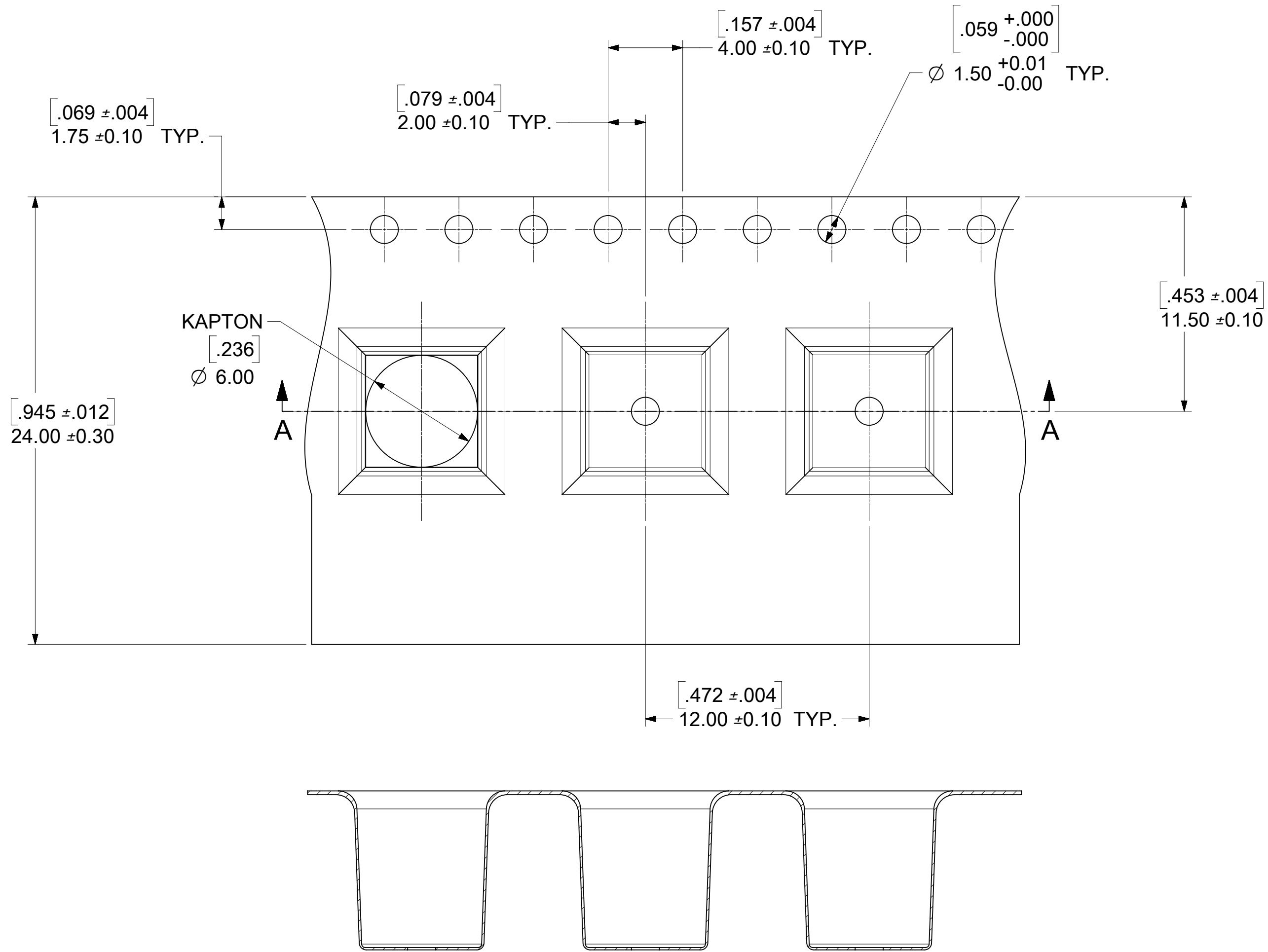
2019/01/29	C1	ADD MORE DETAILS ON TABLE PER EWR12842-A
2018/09/03	C	ADDED PLATING PER TRACKER # 12450
2014/03/11	B11	DRAWING ERROR 600 WAS 900 PER RF14-E097
DATE	REV.	DESCRIPTION

PS-73598-0132	ELECTRO /MECH PERFORM.
SPECIFICATION	DESCRIPTION

SYMBOLS		THIS DRAWING CONTAINS INFORMATION THAT IS PROPRIETARY TO MOLEX ELECTRONIC TECHNOLOGIES, LLC AND SHOULD NOT BE USED WITHOUT WRITTEN PERMISSION	
DIMENSION UNITS	SCALE	CURRENT REV DESC:	
▽ = 0	HYBRID	EC NO: 611420	
▽ = 0	NTS	DRWN: CWEI02	2019/01/29
▽ = 0	GENERAL TOLERANCES (UNLESS SPECIFIED)	CHK'D: YCHENG	2019/02/20
▽ = 0	ANGULAR TOL ± 2.0°	APPR: YCHENG	2019/02/20
▽ = 0	4 PLACES ±	INITIAL REVISION:	
▽ = 0	3 PLACES ±	DRWN: JTSAO	2006/04/20
▽ = 0	2 PLACES ±	APPR: MISEN	2001/03/01
▽ = 0	1 PLACE ±	THIRD ANGLE PROJECTION	
▽ = 0	0 PLACES ±	DRAWING SERIES	
▽ = 0	DRAFT WHERE APPLICABLE MUST REMAIN WITHIN DIMENSIONS	C-SIZE	73366

molex			
MCX JACK VERT PCB TH 50 OHMS MCX-J/PCB EWR-3263			
PRODUCT CUSTOMER DRAWING			
DOCUMENT NUMBER	DOC TYPE	DOC PART	REVISION
SD-73366-006	PSD	001	C1
MATERIAL NUMBER	CUSTOMER	SHEET NUMBER	
SEE TABLE	GENERAL MARKET	1 OF 3	

NOTE:
 1. TAPE AND REEL PACKAGE
 2. 10 PITCHES CUMULATIVE TOLERANCE ±0.20(.008)



SECTION A-A

SYMBOLS		THIS DRAWING CONTAINS INFORMATION THAT IS PROPRIETARY TO MOLEX ELECTRONIC TECHNOLOGIES, LLC AND SHOULD NOT BE USED WITHOUT WRITTEN PERMISSION					
DIMENSION UNITS	SCALE	CURRENT REV DESC:					
$\nabla = 0$	HYBRID	EC NO: 611420 DRWN: CWEI02 2019/01/29 CHK'D: YCHENG 2019/02/20 APPR: YCHENG 2019/02/20					
$\nabla = 0$	NTS						
$\nabla = 0$	GENERAL TOLERANCES (UNLESS SPECIFIED)						
$\nabla = 0$	ANGULAR TOL $\pm 2.0^\circ$	INITIAL REVISION: DRWN: JTSAO 2006/04/20 APPR: MISEN 2001/03/01					
$\nabla = 0$	4 PLACES \pm						
$\nabla = 0$	3 PLACES \pm						
$\nabla = 0$	2 PLACES \pm	DOCUMENT NUMBER: SD-73366-006 DOC TYPE: PSD DOC PART: 001 REVISION: C1					
$\nabla = 0$	1 PLACE \pm						
$\nabla = 0$	0 PLACES \pm						
$\nabla = 0$	DRAFT WHERE APPLICABLE MUST REMAIN WITHIN DIMENSIONS	THIRD ANGLE PROJECTION	DRAWING: C-SIZE	SERIES: 73366	MATERIAL NUMBER: SEE TABLE	CUSTOMER: GENERAL MARKET	SHEET NUMBER: 2 OF 3

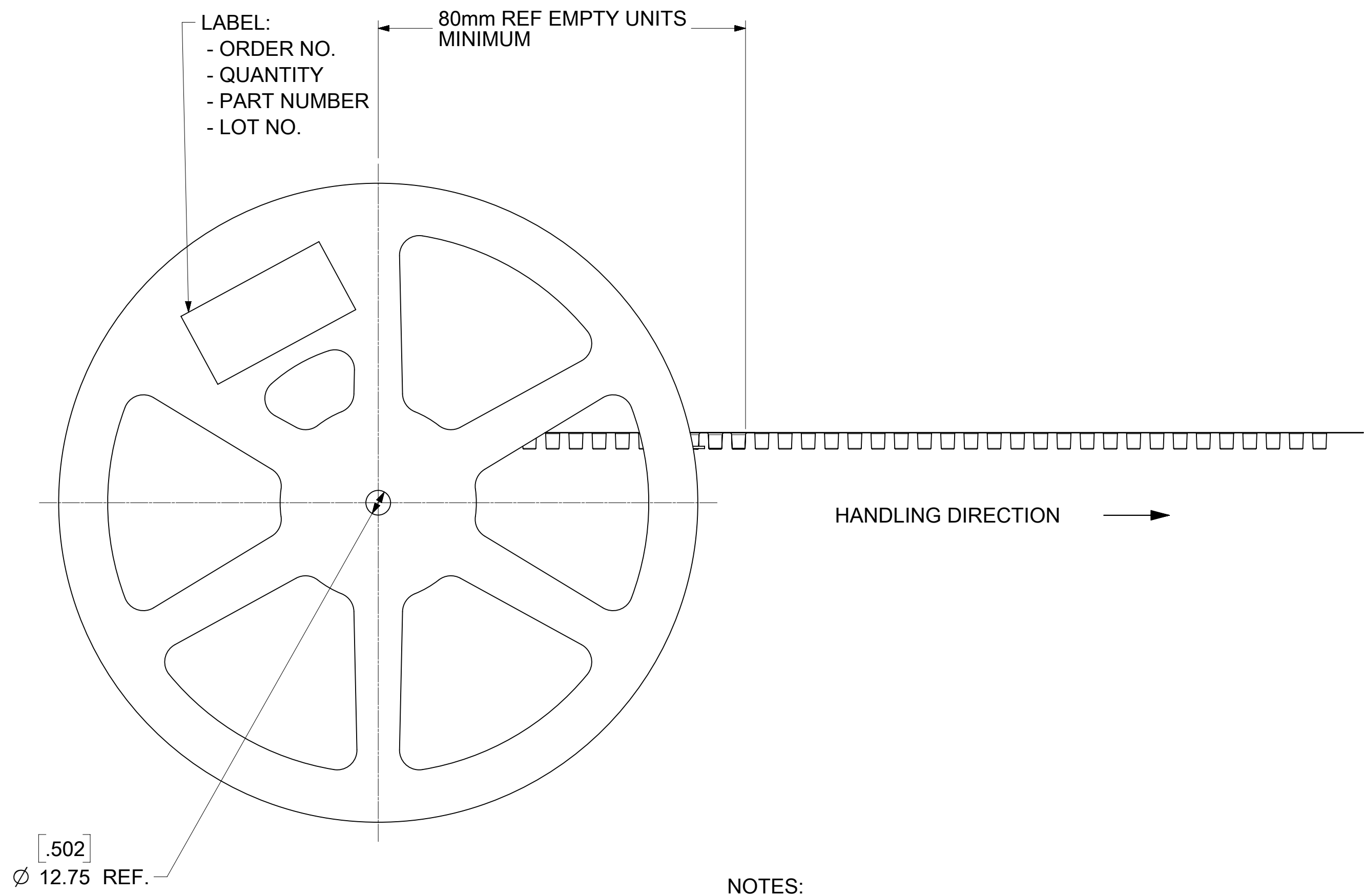
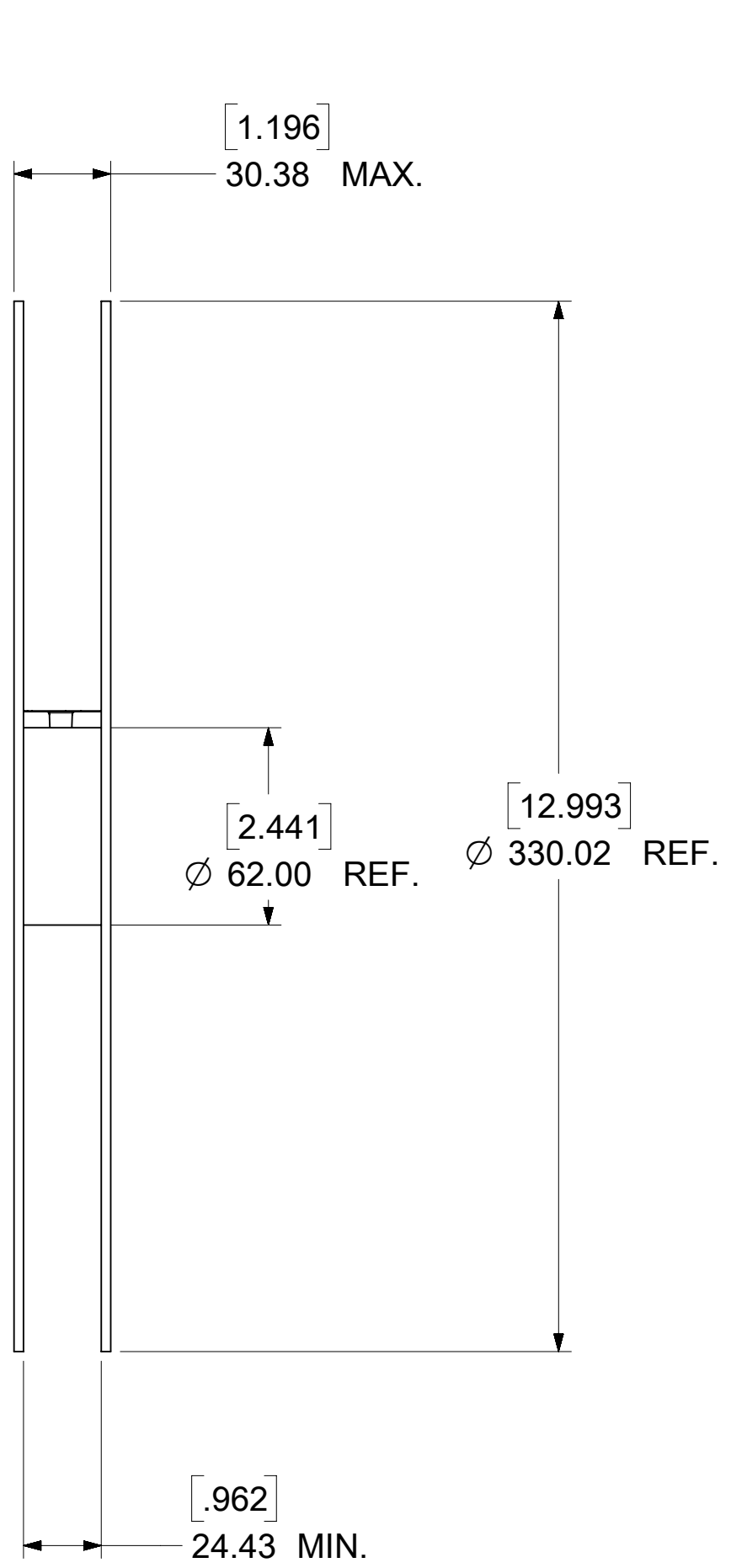
molex

MCX JACK VERT PCB TH
 50 OHMS MCX-J/PCB EWR-3263

PRODUCT CUSTOMER DRAWING

SD-73366-006

PSD 001 C1



- NOTES:
- 1.MATERIAL :PS BLACK-THICKNESS:0.40±0.05mm
 - 2.PACKING LENGTH PER: 22" REEL: 35 METERS
 - 3.COMPONENT LOAD PER: 13" REEL: 600PCS

THIS DRAWING CONTAINS INFORMATION THAT IS PROPRIETARY TO MOLEX ELECTRONIC TECHNOLOGIES, LLC AND SHOULD NOT BE USED WITHOUT WRITTEN PERMISSION											
SYMBOLS		DIMENSION UNITS		SCALE		CURRENT REV DESC:				molex	
= 0		HYBRID		NTS							
= 0		GENERAL TOLERANCES (UNLESS SPECIFIED)				EC NO: 611420				MCX JACK VERT PCB TH	
= 0		ANGULAR TOL ± 2.0°				DRWN: CWEI02 2019/01/29				50 OHMS MCX-J/PCB EWR-3263	
= 0		4 PLACES ±				CHK'D: YCHENG 2019/02/20				PRODUCT CUSTOMER DRAWING	
= 0		3 PLACES ±				APPR: YCHENG 2019/02/20				DOCUMENT NUMBER	
= 0		2 PLACES ±				INITIAL REVISION:				DOC TYPE	
= 0		1 PLACE ±				DRWN: JTSAO 2006/04/20				DOC PART	
= 0		0 PLACES ±				APPR: MISEN 2001/03/01				REVISION	
= 0		DRAFT WHERE APPLICABLE MUST REMAIN WITHIN DIMENSIONS		THIRD ANGLE PROJECTION		DRAWING		SERIES		MATERIAL NUMBER	
= 0				C-SIZE		73366		CUSTOMER		SHEET NUMBER	
								GENERAL MARKET		3 OF 3	

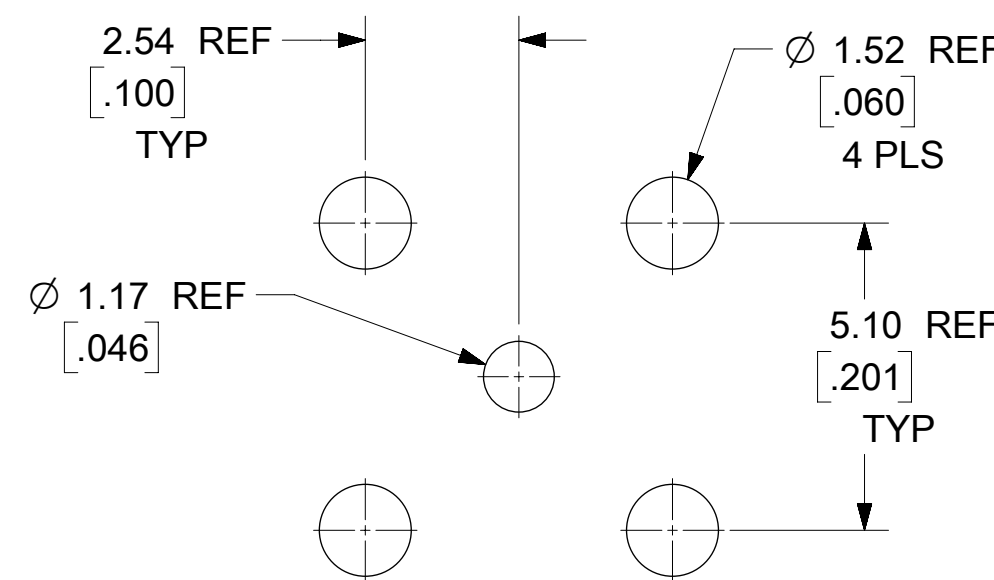
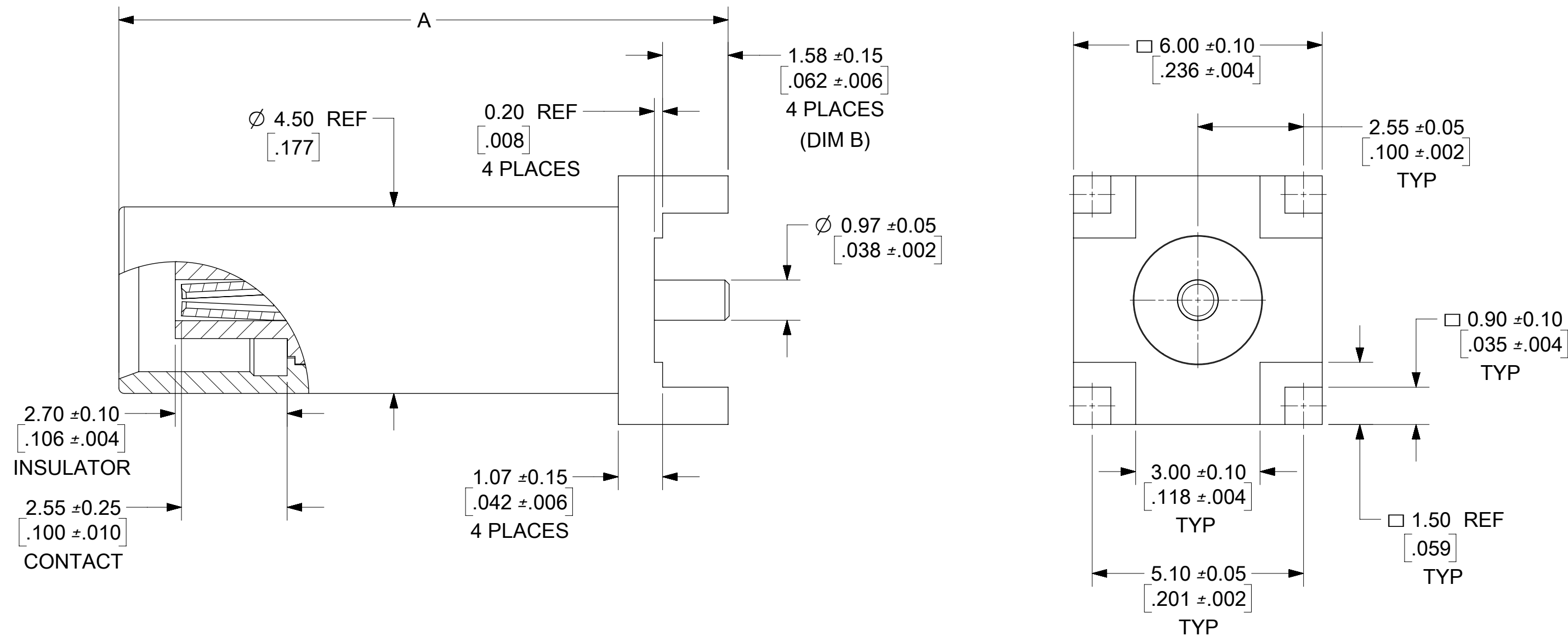
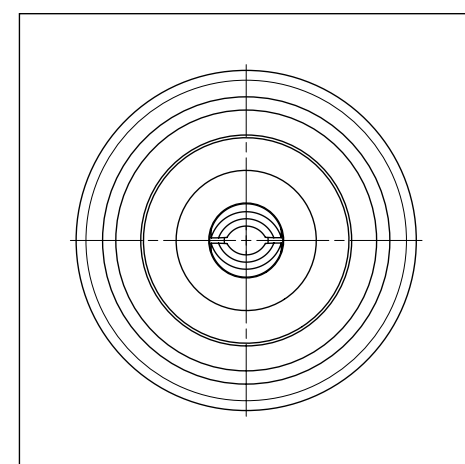
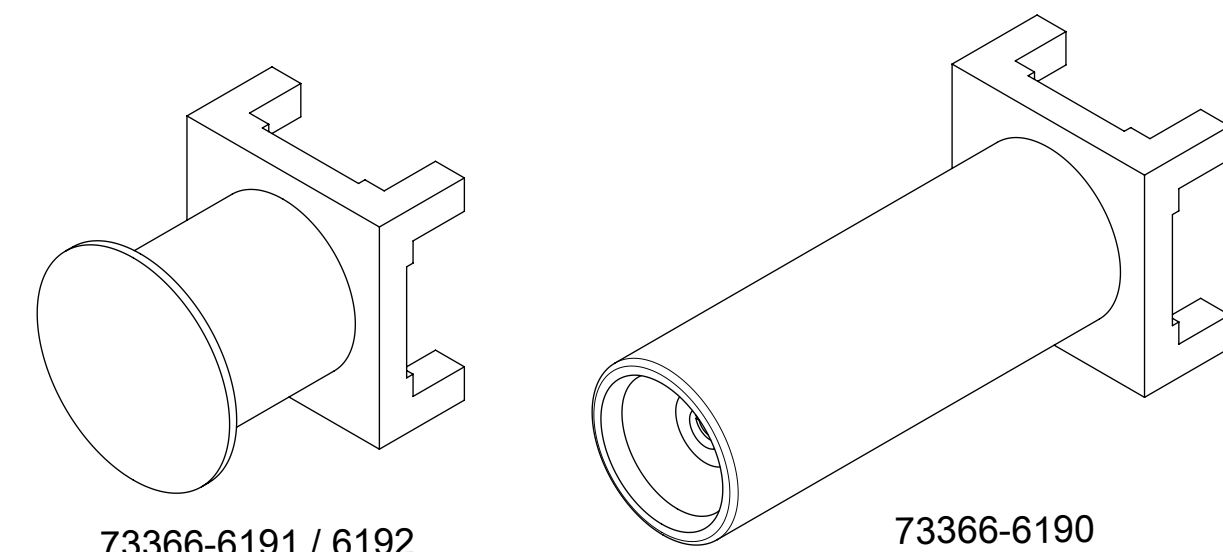
MATERIALS AND FINISHES:

BODY: BRASS
 PLATED: GOLD (1μ-in MIN)
 OVER NICKEL (50μ-in MIN)

CONTACT: BERYLLIUM COPPER
 PLATED: SEE TABLE

INSULATOR: PTFE

KAPTON: POLYIMIDE
 COLOR: BLACK
 (TAPE & REEL PACKAGE)



RECOMMENDED HOLE LAYOUT

73366-6192	7.10	.280	GOLD (1μ-in MIN) OVER NICKEL (50μ-in MIN)	TAPE & REEL
73366-6191	7.10	.280	GOLD (30μ-in MIN) OVER NICKEL (50μ-in MIN)	73366-0061 TAPE & REEL
73366-6190	14.70	.579	GOLD (10μ-in MIN) OVER NICKEL (100μ-in MIN)	TRAY
PART NO.	MM	IN	PLATING (CONTACT)	PACKAGE
	DIM A (REF)			

NOTE:
 SEE SD-73366-006 FOR CONTINUATION OF
 TABULATION AND TAPE & REEL DRAWING

73366-0069	.280±.006	7.10±0.15	.062±.006	1.57±0.15	GOLD 1u" MIN.	1 PC 73366-0061 PER BAG
73366-0068	.280±.006	7.10±0.15	.062±.006	1.57±0.15	NICKEL 70u" MIN.	73366-0060 SMALL TRAY
73366-0067	.280±.006	7.10±0.15	.062±.006	1.57±0.15	NICKEL 70u" MIN.	1 PC 73366-0060 PER BAG
73366-0066	.236±.006	5.99±0.15	.019±.006	0.50±0.15	GOLD 1u" MIN.	73366-0065 TAPE & REEL
73366-0065	.236±.006	5.99±0.15	.019±.006	0.50±0.15	GOLD 1u" MIN.	TRAY
73366-0064	.236±.006	5.99±0.15	.019±.006	0.50±0.15	NICKEL 70u" MIN.	73366-0063 TAPE & REEL
73366-0063	.236±.006	5.99±0.15	.019±.006	0.50±0.15	NICKEL 70u" MIN.	TRAY
73366-0062	.280±.006	7.10±0.15	.062±.006	1.57±0.15	NICKEL 70u" MIN.	73366-0060 TAPE & REEL
73366-0061	.280±.006	7.10±0.15	.062±.006	1.57±0.15	GOLD 1u" MIN.	TRAY
73366-0060	.280±.006	7.10±0.15	.062±.006	1.57±0.15	NICKEL 70u" MIN.	TRAY
PART NO.	IN	MM	IN	MM	PLATING	PACKAGE
DIM (X)	DIM A		DIM B		BODY	

SYMBOLS	THIS DRAWING CONTAINS INFORMATION THAT IS PROPRIETARY TO MOLEX ELECTRONIC TECHNOLOGIES, LLC AND SHOULD NOT BE USED WITHOUT WRITTEN PERMISSION			
	DIMENSION UNITS	SCALE	CURRENT REV DESC: MIGRATED AND REVISED	
▽ = 0	HYBRID	NTS	EC NO: 611420 DRWN: CWEI02 2019/02/20 CHK'D: YCHENG 2019/02/20 APPR: YCHENG 2019/02/20 INITIAL REVISION: DRWN: AZR 2009/10/14 APPR: WSPINK 2014/04/10	
▽ = 0	GENERAL TOLERANCES (UNLESS SPECIFIED)			
▽ = 0		MM		INCH
▽ = 0	4 PLACES ±			±
▽ = 0	3 PLACES ±			± 0.01
▽ = 0	2 PLACES ±	0.25	±	
▽ = 0	1 PLACE ±		±	
▽ = 0	0 PLACES ±		±	
▽ = 0	ANGULAR TOL	± 2.0°		
▽ = 0	DRAFT WHERE APPLICABLE MUST REMAIN WITHIN DIMENSIONS	THIRD ANGLE PROJECTION	DRAWING C-SIZE	
		SERIES	73366	
DOCUMENT STATUS		DOCUMENT NUMBER	SD-73366-619	
P1	RELEASE DATE	DOC TYPE	PSD	
2019/02/20	07:02:17	DOC PART	000	
		REVISION	A3	
MATERIAL NUMBER		CUSTOMER	SHEET NUMBER	
SEE TABLE			1 OF 1	