

34.7	31.2	29	52207-3058	30
33.7	30.2	28	-2958	29
32.7	29.2	27	-2858	28
31.7	28.2	26	-2758	27
30.7	27.2	25	-2658	26
29.7	26.2	24	-2558	25
28.7	25.2	23	-2458	24
27.7	24.2	22	-2358	23
26.7	23.2	21	-2258	22
25.7	22.2	20	-2158	21
24.7	21.2	19	-2058	20
23.7	20.2	18	-1958	19
22.7	19.2	17	-1858	18
21.7	18.2	16	-1758	17
20.7	17.2	15	-1658	16
19.7	16.2	14	-1558	15
18.7	15.2	13	-1458	14
17.7	14.2	12	-1358	13
16.7	13.2	11	-1258	12
15.7	12.2	10	-1158	11
14.7	11.2	9	-1058	10
13.7	10.2	8	-0958	9
12.7	9.2	7	-0858	8
11.7	8.2	6	-0758	7
10.7	7.2	5	-0658	6
9.7	6.2	4	-0558	5
8.7	5.2	3	-0458	4
7.7	4.2	2	52207-0358	3

注記 NOTES

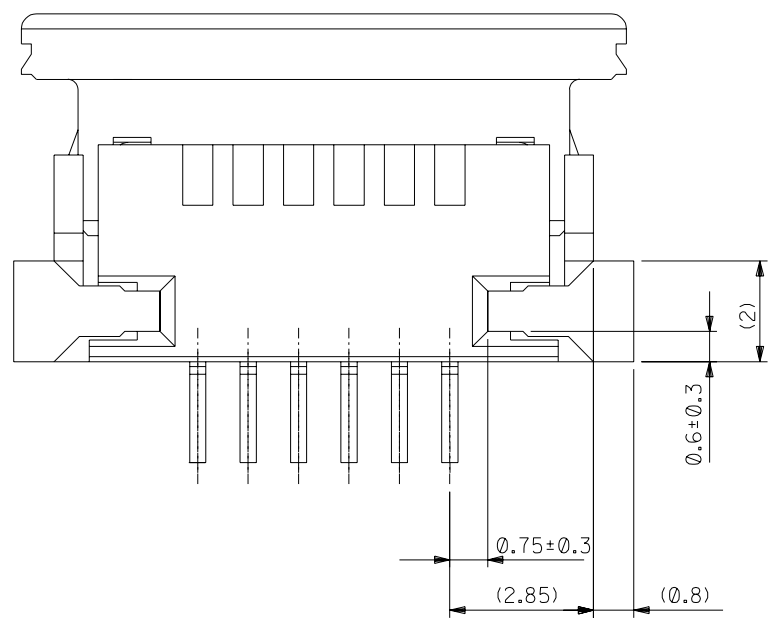
- 接点部までの嵌合長さ。
LENGTH TO CONTACT POINT.
- 使用材料 MATERIAL
ハウジング : 46ナイロン (耐熱性), UL94V-0
HOUSING : 46NYLON, UL94V-0
アクチュエータ : PPS, UL94V-0
ACTUATOR : PPS, UL94V-0
ターミナル : リン青銅, 錫メッキ (t=0.32)
TERMINAL : PHOS-BRO., TIN PLATED(t=0.32)
金具 : 銅合金, 錫メッキ (t=0.25)
FITTING NAIL : COPPER ALLOY, TIN PLATED (t=0.25)
- パターンはくり止め用金具
FITTING NAIL FOR PREVENTION OF PEELING OF P.C.B.PATTERN.

- エンボステープ梱包時は, アクチュエータがロックした状態とする。
IN THE PACKAGE, ACTUATOR OF PART NO. 52207-**58 SHOULD BE LOCKED.
- FPC挿入深さ
INSERTION DEPTH OF FPC.
- パターン書き込み禁止エリア。
NO FOOT PRINT AREA.

無鉛
LEAD FREE

EC NO. DRWN: CHK: APPR:	EC NO. DRWN: CHK: APPR:	EC NO. DRWN: CHK: APPR:	EC NO. DRWN: CHK: APPR:	EC NO. DRWN: CHK: APPR:	RELEASED EC NO. J2003-2436 DRWN: RICHARD.HO CHK: K.TOJO APPR: M.SASAO	MATERIAL 材料 注記参照 SEE NOTES	GENERAL TOLERANCES: (UNLESS SPECIFIED) 一般公差	SCALE —//	DESIGN UNITS <input checked="" type="checkbox"/> mm <input type="checkbox"/> INCH	THIRD ANGLE PROJECTION	DIMENSIONS: <input type="checkbox"/> mm <input type="checkbox"/> INCH <input type="checkbox"/> mm ONLY	SHT REV
						FINISH 仕上げ //	10 UNDER 未満 ±0.2	DRAWN BY & DATE RICHARD.HO '03/03/19	TITLE: 1.0MM PITCH FPC CONN ZIF SMT			
						WIRE RANGE 適用電線範囲 //	10 OVER 30 UNDER 以上 未満 ±0.25	CHECKED BY & DATE K.TOJO '03/03/19	MOLEX MOLEX INCORPORATED			
						INS. RANGE 被覆外径 //	30 OVER 以上 ±0.3	APPROVED BY & DATE M.SASAO '03/03/19	MATERIAL NO. 52207-**58	DRAWING NO. SD-52207-051	SHEET NO. 1 OF 2	
							ANGLE 角度 ±3°	CAD FILENAME SD-52207-051.S01				SIZE B
								THIS DRAWING CONTAINS INFORMATION THAT IS PROPRIETARY TO MOLEX INCORPORATED AND SHOULD NOT BE USED WITHOUT WRITTEN PERMISSION.				

DWG. NO.
SD-52207-051



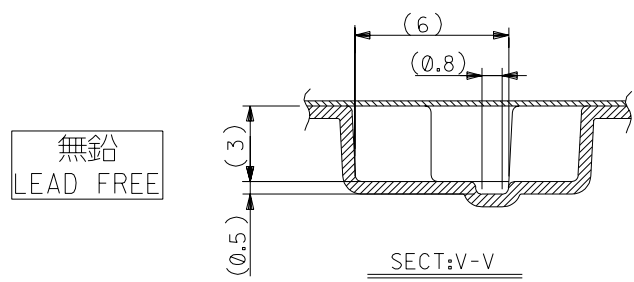
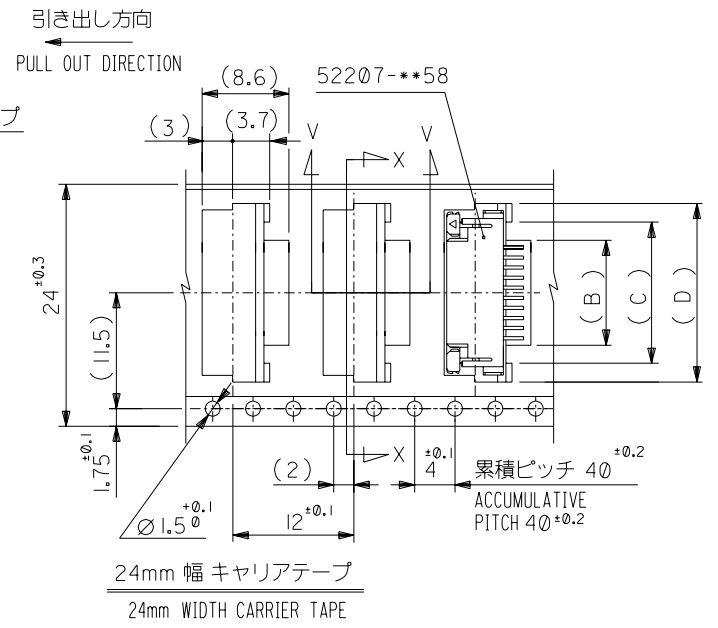
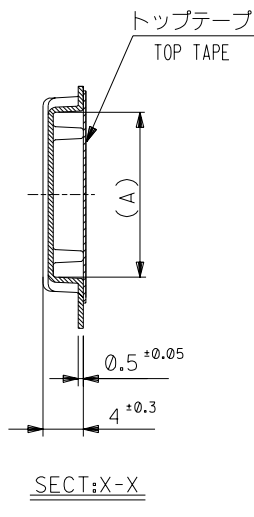
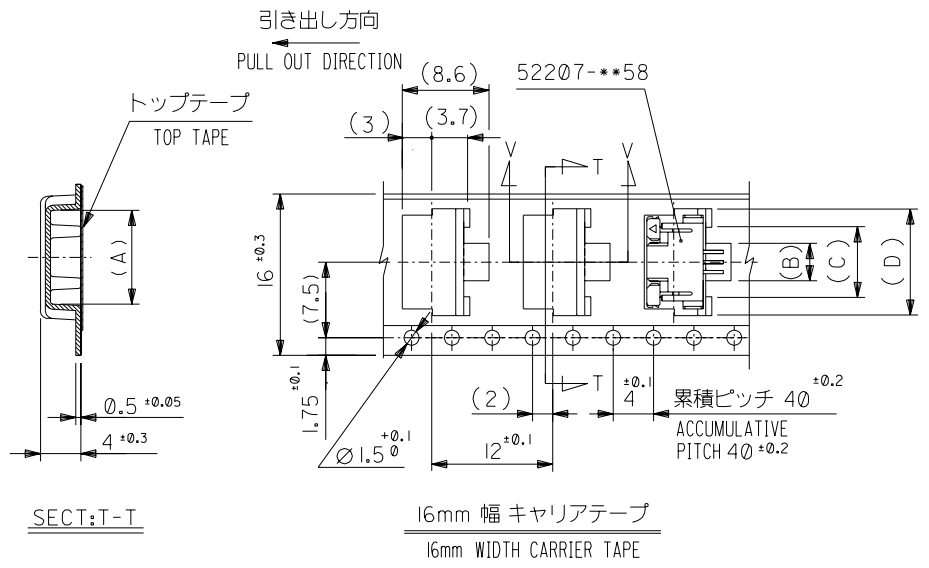
下面図

無鉛
LEAD FREE

DO NOT SCALE DRAWING

EC NO. DRWN: CHK: APPR:		EC NO. DRWN: CHK: APPR:		EC NO. DRWN: CHK: APPR:		EC NO. DRWN: CHK: APPR:		EC NO. J2003-2436 DRWN: RICHARD.HO CHK: K.TOJO APPR: M.SASAO		MATERIAL 材料 注記参照 SEE NOTES		GENERAL TOLERANCES: (UNLESS SPECIFIED) 一般公差		SCALE //	DESIGN UNITS <input checked="" type="checkbox"/> mm <input type="checkbox"/> INCH	<input checked="" type="checkbox"/> THIRD ANGLE <input type="checkbox"/> PROJECTION	DIMENSIONS: <input type="checkbox"/> mm <input type="checkbox"/> INCH <input checked="" type="checkbox"/> mm ONLY	SHT	REV				
						RELEASED				FINISH 仕上り //		10 UNDER 未満 ±0.2		DRAWN BY & DATE RICHARD.HO '03/03/19		TITLE: 1.0MM PITCH FPC CONN ZIF SMT							
						A		REV		WIRE RANGE 適用電線範囲 //		10 OVER 30 UNDER 以上 未満 ±0.25		CHECKED BY & DATE K.TOJO '03/03/19		APPROVED BY & DATE M.SASAO '03/03/19							
										INS. RANGE 被覆外径 //		30 OVER 以上 ±0.3		ANGLE 角度 ±3°		CAD FILENAME SD-52207-051.S02		MATERIAL NO. 52207-**58		DRAWING NO. SD-52207-051		SHEET NO. 2 OF 2	
															THIS DRAWING CONTAINS INFORMATION THAT IS PROPRIETARY TO MOLEX INCORPORATED AND SHOULD NOT BE USED WITHOUT WRITTEN PERMISSION.					SIZE B			

DWG. NO. SD-52207-052

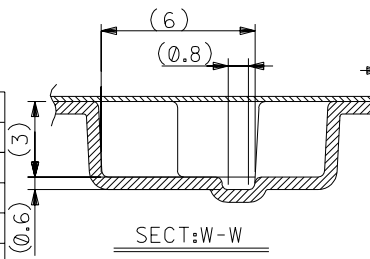
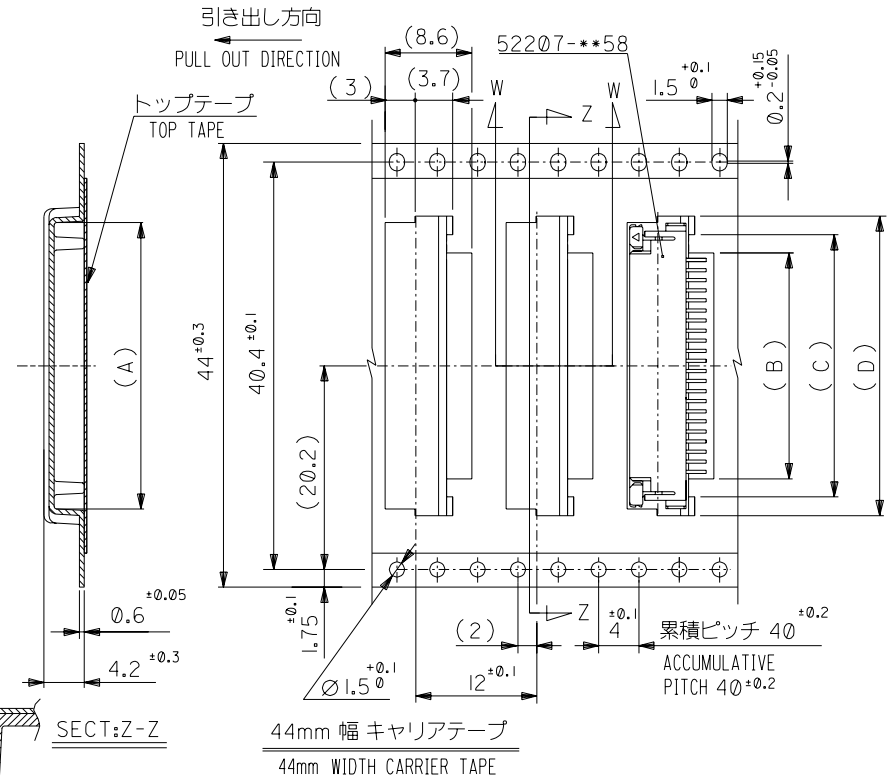
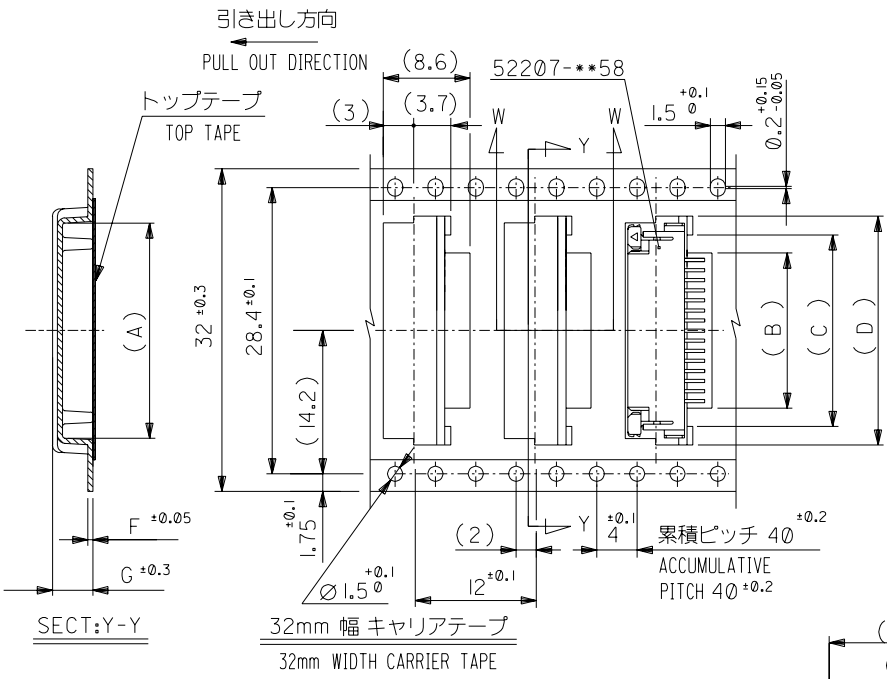


24	25.5	18.5	15	11.7	17.3	52207-1182	11
		17.5	14	10.7	16.3	4 -1082	10
		16.5	13	9.7	15.3	-0982	9
		15.5	12	8.7	14.3	-0882	8
		14.5	11	7.7	13.3	-0782	7
		13.5	10	6.7	12.3	-0670	6
		12.5	9	5.7	11.3	-0582	5
11.5	8	4.7	10.3	-0482	4		
16	17.5	10.5	7	3.7	9.3	52207-0382	3
キャリアテープ幅 CARRIER TAPE WIDTH	E	(D)	(C)	(B)	(A)	MATERIAL NO.	極数 CKT.

DO NOT SCALE DRAWING

EC NO. DRWN: CHK: APPR:	EC NO. DRWN: CHK: APPR:	EC NO. DRWN: CHK: APPR:	REVISED EC NO. J2004-0875 DRWN: K.TOJO CHK: S.MARUYAMA APPR: M.SASAO	RELEASED EC NO. J2003-2436 DRWN: RICHARD.HO CHK: K.TOJO APPR: M.SASAO	DESCRIPTION	MATERIAL 材料	GENERAL TOLERANCES: (UNLESS SPECIFIED) 一般公差	SCALE 1/1	DESIGN UNITS mm	THIRD ANGLE PROJECTION	DIMENSIONS: mm	SHT	REV		
						注記参照 SEE NOTES	FINISH 仕上げ	10 UNDER 未満	10 OVER 以上	30 UNDER 未満	30 OVER 以上	ANGLE 角度	3°		
						WIRE RANGE 適用線径範囲									
						INS. RANGE 被覆外径									
DRAWN BY & DATE RICHARD.HO '03/03/20										TITLE: 1.0MM PITCH FPC CONN ZIF SMT Embstp Pkg					
CHECKED BY & DATE K.TOJO '03/03/20										MOLEX MOLEX INCORPORATED					
APPROVED BY & DATE M.SASAO '03/03/20										MATERIAL NO. 52207-***82		DRAWING NO. SD-52207-052		SHEET NO. 1 OF 3	
CAD FILENAME SD-52207-052.S01										MATERIAL NO. 52207-***82		DRAWING NO. SD-52207-052		SHEET NO. 1 OF 3	
THIS DRAWING CONTAINS INFORMATION THAT IS PROPRIETARY TO MOLEX INCORPORATED AND SHOULD NOT BE USED WITHOUT WRITTEN PERMISSION.												SIZE B			

SD-52207-052.S01



44	45.5	34.5	31	27.7	33.35	52207-2782	27	
		33.5	30	26.7	32.35	4	-2682	26
		32.5	29	25.7	31.35		-2582	25
		31.5	28	24.7	30.35		-2482	24
		30.5	27	23.7	29.35		-2382	23
		29.5	26	22.7	28.35		-2282	22
		28.5	25	21.7	27.35		-2182	21
		27.5	24	20.7	26.35		-2082	20
		26.5	23	19.7	25.35		-1982	19
		25.5	22	18.7	24.35	7	-1882	18
24.5	21	17.7	23.35	52207-1782	17			

32	33.5	4.0	0.5	23.5	20	16.7	22.35	52207-1682	16	
		4.2	0.6	22.5	19	15.7	21.35	4	-1582	15
		4.2	0.6	21.5	18	14.7	20.35		-1482	14
		4.2	0.6	20.5	17	13.7	19.35	7	-1382	13
		4.2	0.6	19.5	16	12.7	18.35	52207-1282	12	
		4.2	0.6	18.5	15	11.7	17.35		-1182	11

無鉛
LEAD FREE

DO NOT SCALE DRAWING		REVISED		RELEASED		MATERIAL 材料		GENERAL TOLERANCES: (UNLESS SPECIFIED) 一般公差		SCALE 1/1		DESIGN UNITS 第三角投影		DIMENSIONS: 寸法		SHT 2 OF 3		REV 2 OF 3												
EC NO. J2004-0875	DRWN: K.TOJO	CH'K: S.MARUYAMA	APPR: M.SASAO	EC NO. J2003-2436	DRWN: RICHARD.HO	CH'K: K.TOJO	APPR: M.SASAO	FINISH 仕上げ	10 UNDER 未満	±0.2	30 UNDER 未満	±0.25	30 OVER 以上	±0.3	ANGLE 角度	±3°	DRAWN BY & DATE RICHARD.HO '03/03/20		CHECKED BY & DATE K.TOJO '03/03/20		APPROVED BY & DATE M.SASAO '03/03/20		TITLE: 1.0MM PITCH FPC CONN ZIF SMT Embstp Pkg		MATERIAL NO. 52207-***82		DRAWING NO. SD-52207-052		SHEET NO. 2 OF 3	
キャリアテープ幅 CARRIER TAPE WIDTH		E		(D)		(C)		(B)		(A)		MATERIAL NO.		極数 CKT.		MATERIAL NO.		DRAWING NO.		SHEET NO.		SIZE B		EN-02J(097) MXJ-54		SD-52207-052.S02				

