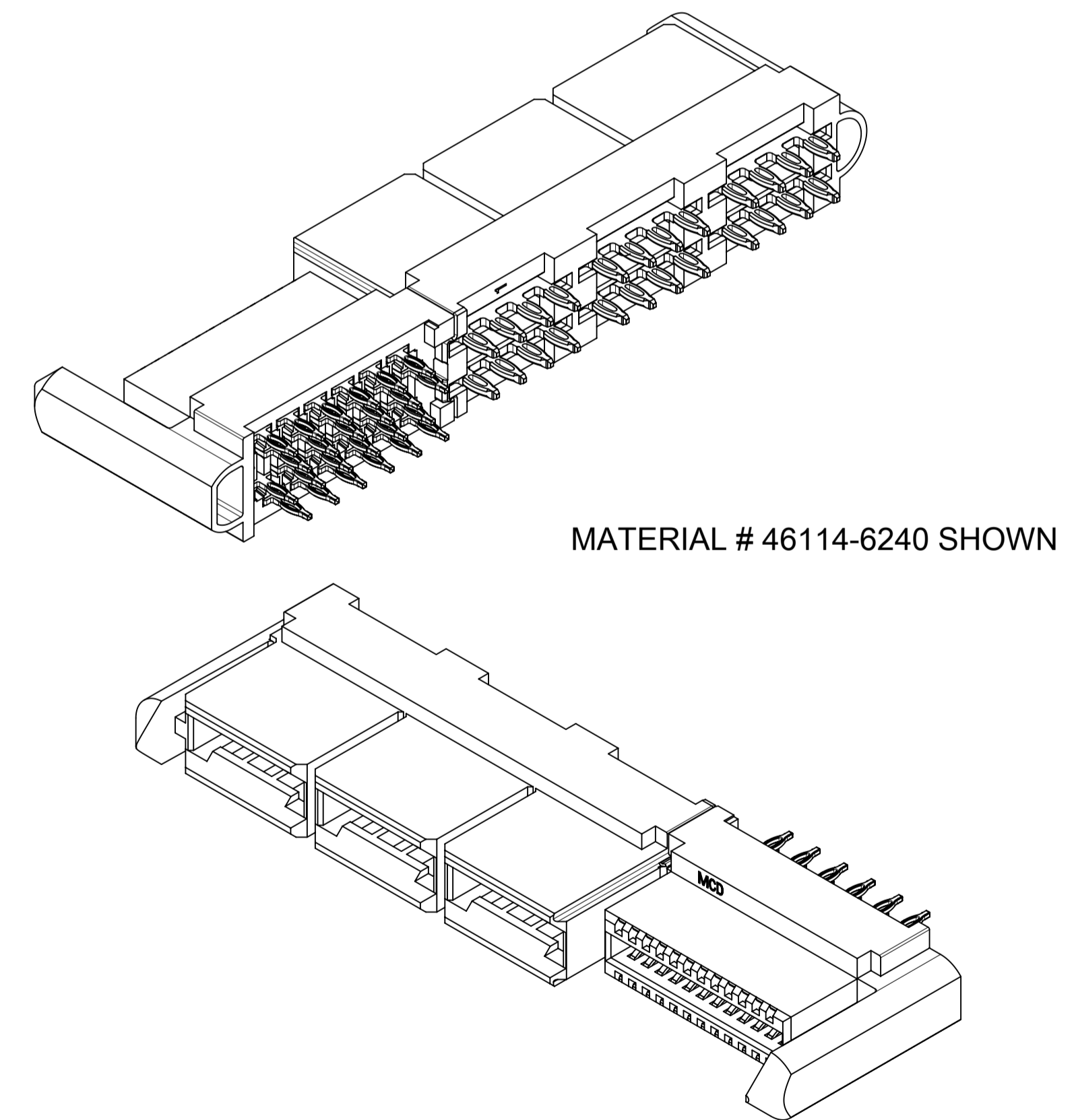


PCB COMPONENT SIDE
par2-of-top2
SCALE 3:1

NO OF SIGNALS	MATERIAL NUMBER	COMPLIANT PIN PLATING	DIM A	DIM B	DIM C
12	46114-6120	TIN	53.01/2.087	53.51/2.107	5.45/.215
16	46114-6160	TIN	55.55/2.187	56.05/2.207	
20	46114-6200	TIN	58.09/2.287	58.59/2.307	
24	46114-6240	TIN	60.63/2.387	61.13/2.407	
28	46114-6280	TIN	63.17/2.487	63.67/2.507	
32	46114-6320	TIN	65.71/2.587	66.21/2.607	
36	46114-6360	TIN	68.25/2.687	68.75/2.707	
40	46114-6400	TIN	70.79/2.787	71.29/2.807	

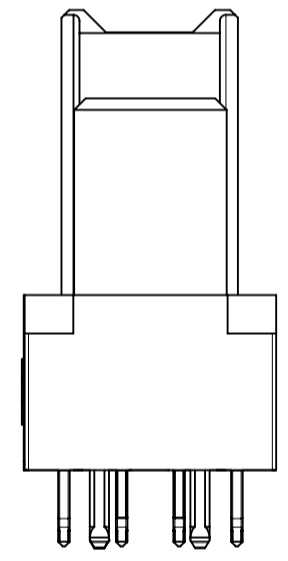
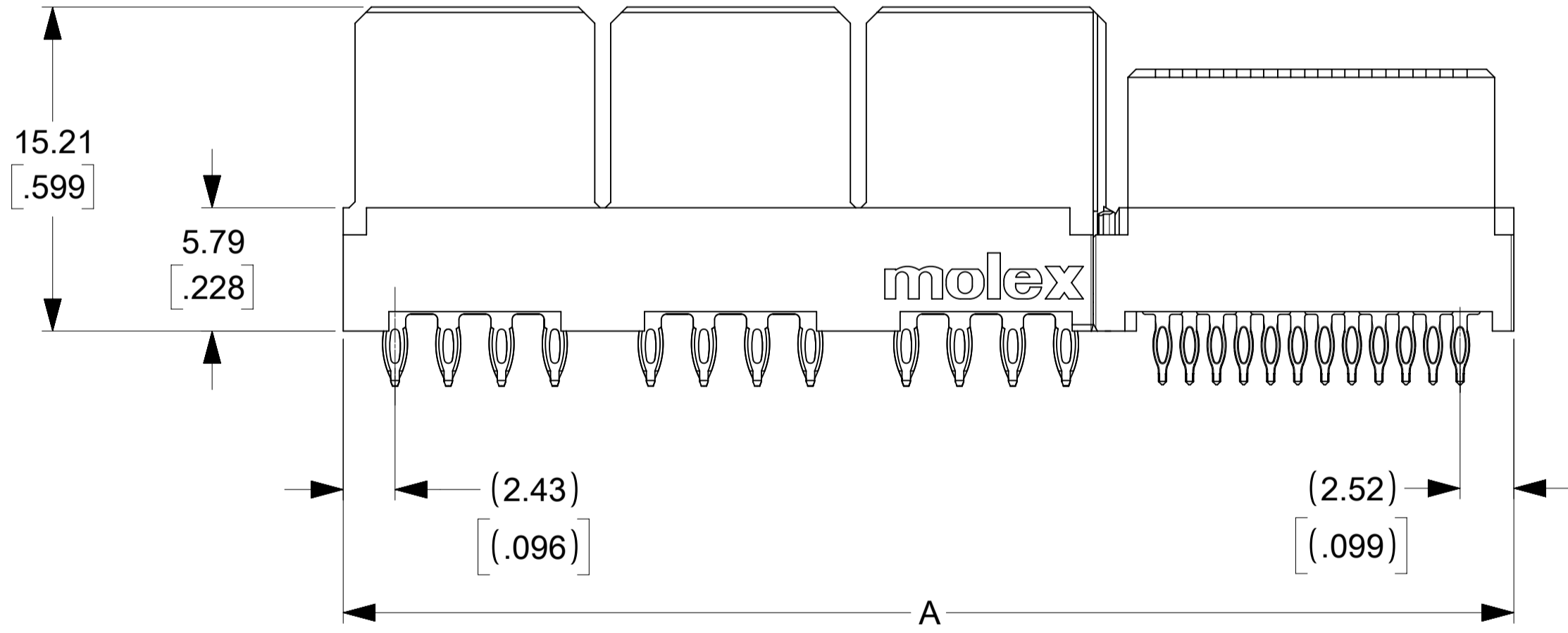
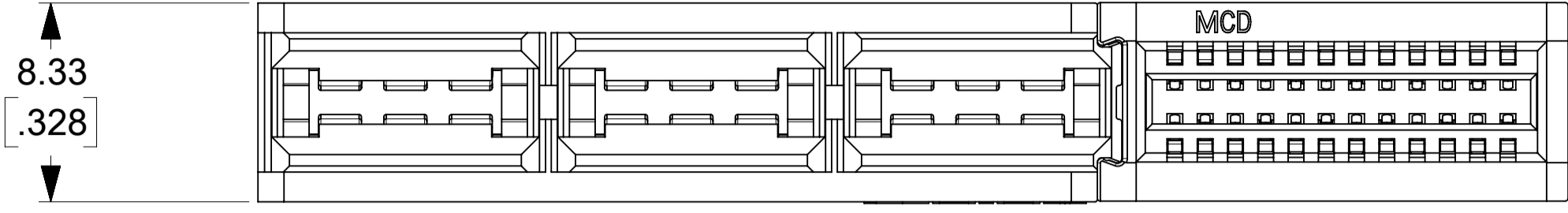
NOTES:

- MATERIAL: HOUSING: LCP, 94-VO, COLOR: BLACK.
POWER CONTACTS: COPPER ALLOY.
SIGNAL CONTACTS: MODIFIED TIN BRASS.
- FINISH: SELECT GOLD - 0.75 μM/30 μ INCHES
SELECTED TIN - 2.50 μM/100 μ INCHES
BOTH OVER NICKEL - 1.25 μM/50 μ INCHES
- POWER TERMINALS ARE LUBRICATED IN CONTACT AREA.
- PARTS ARE RoHS COMPLIANT.
- MATES TO MOLEX P/N 45985-SERIES OR EDGE CARD 1.57/.062.
- PRODUCT SPECIFICATION PS-46114-001.
- PACKAGING: PER PK-46114-003.

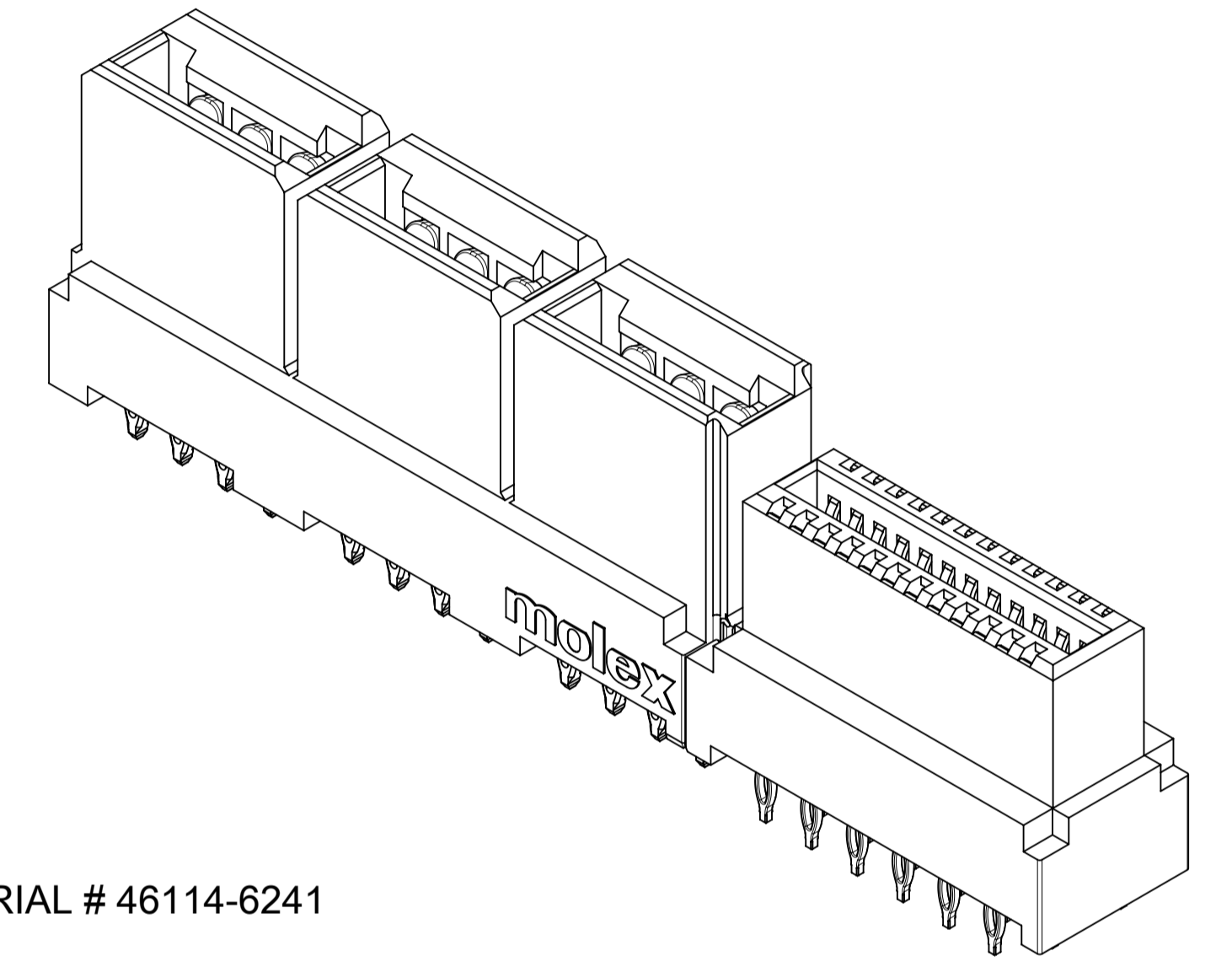


THIS DRAWING CONTAINS INFORMATION THAT IS PROPRIETARY TO MOLEX ELECTRONIC TECHNOLOGIES, LLC AND SHOULD NOT BE USED WITHOUT WRITTEN PERMISSION

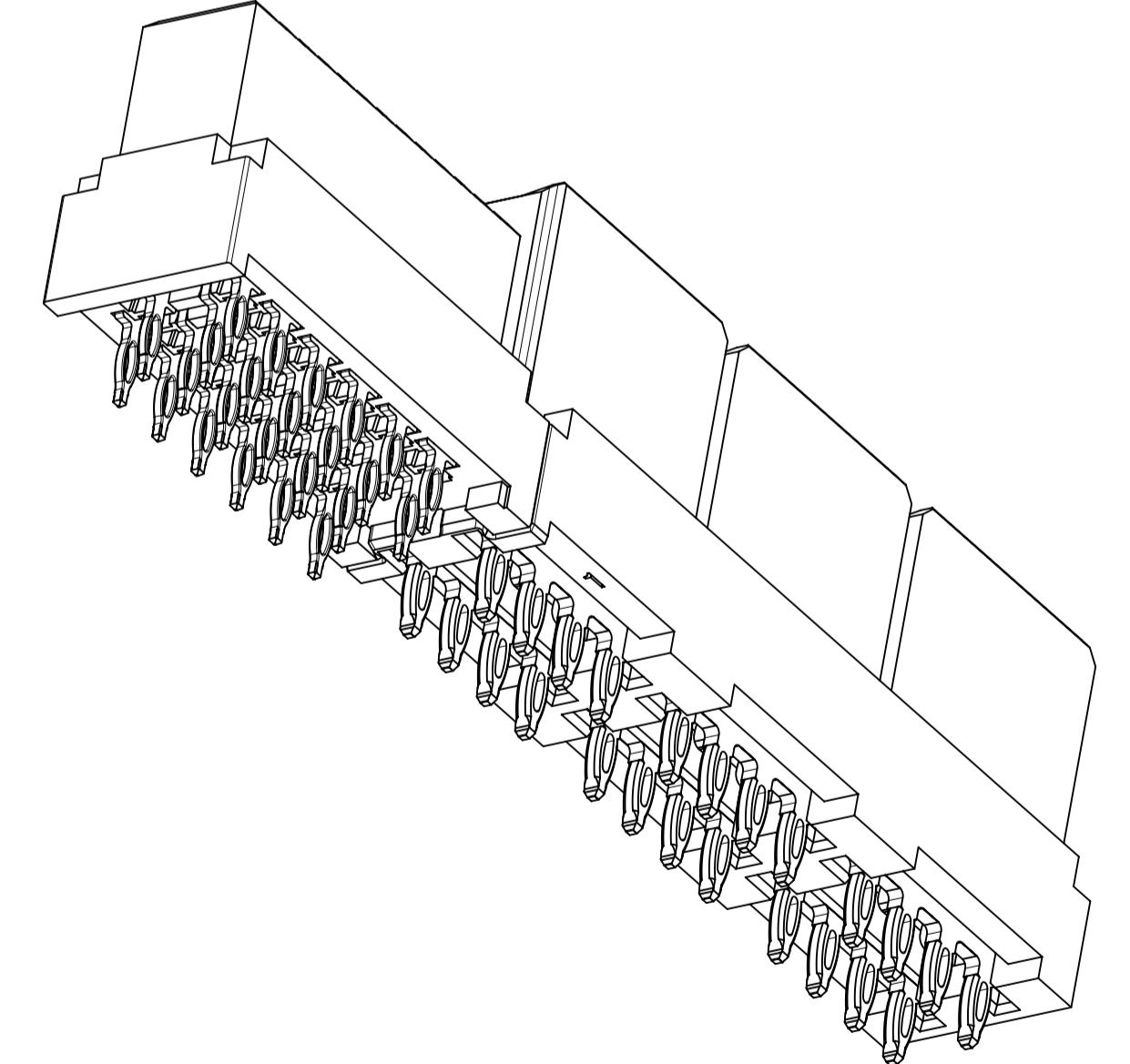
ADD 459854572 EC NO. 121352 DRWN: NVELUSAMY CHKD: JZENG REV APPR: KHLIM 2017/10/26	GENERAL TOLERANCES (UNLESS SPECIFIED) MM [INCH] SCALE 3:1			
	DRWN BY: MKARADIMAS DATE: 2005/11/28			
	4 PLACES ± ± 3 PLACES ± ± 0.01 2 PLACES ± 0.25 ± 1 PLACES ± ± 0 PLACES ± ±		CHKD BY: APATEL DATE: 10/13/06 APPR BY: JCOMERCI DATE: 2009/12/03	
	ANGULAR TOL ± 0.5 DRAFT WHERE APPLICABLE MUST REMAIN WITHIN DIMENSIONS		DRAWING SIZE: A1 THIRD ANGLE PROJECTION	
PRODUCT CUSTOMER DRAWING LPH VERTICAL RECEPTACLE ASSEMBLY 6 CIRCUIT PWR CONNECTOR, PRESS FIT		SERIES: 46114 MATERIAL NUMBER: SEE CHART CUSTOMER: GENERAL MARKET		
DOCUMENT NUMBER: SD-46114-600		DOC TYPE: PSD DOC PART: 001 SHEET NUMBER: 1 OF 3		



NO OF SIGNALS	MATERIAL NUMBER	COMPLIANT PIN PLATING	DIM A	DIM B	DIM C
12	46114-6121	TIN	47.34/1.864	47.84/1.883	2.69/1.06
16	46114-6161	TIN	49.88/1.964	50.38/1.983	
20	46114-6201	TIN	52.42/2.064	52.92/2.083	
24	46114-6241	TIN	54.96/2.164	55.46/2.183	
28	46114-6281	TIN	57.50/2.264	58.00/2.283	
32	46114-6321	TIN	60.04/2.364	60.54/2.383	
36	46114-6361	TIN	62.58/2.464	63.08/2.483	
40	46114-6401	TIN	65.12/2.564	65.62/2.583	



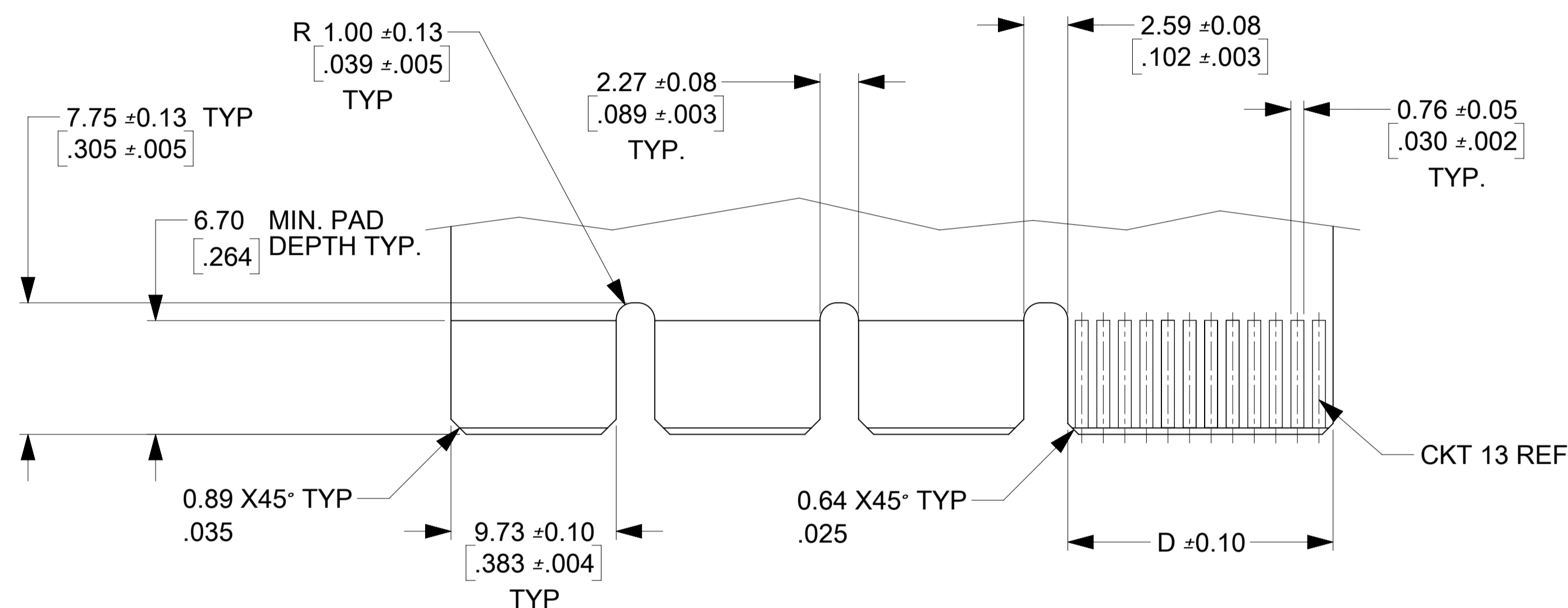
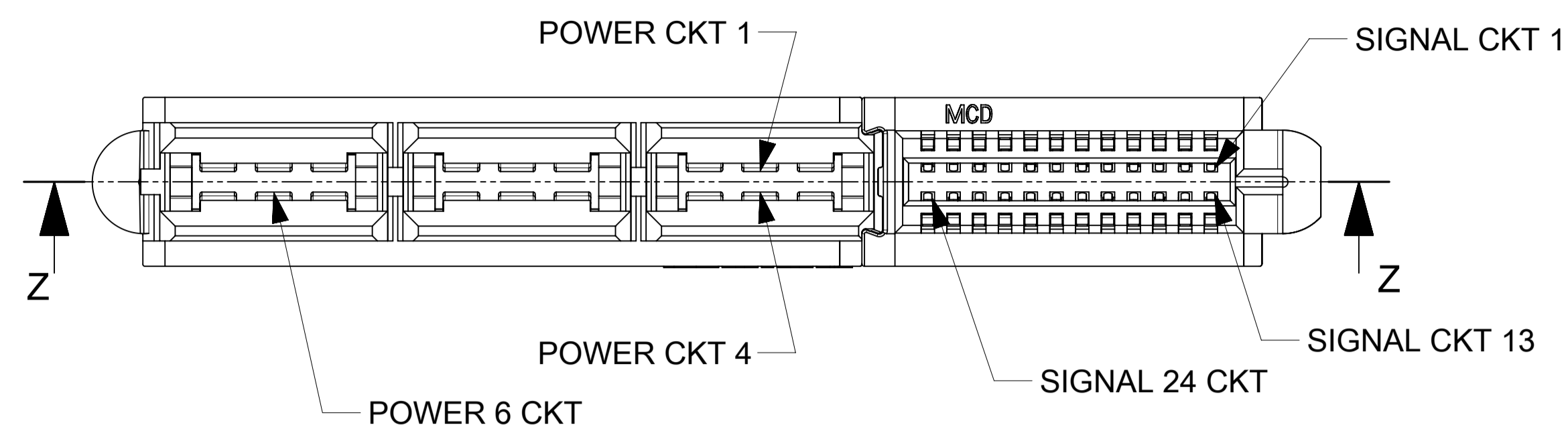
MATERIAL # 46114-6241



THIS DRAWING CONTAINS INFORMATION THAT IS PROPRIETARY TO MOLEX ELECTRONIC TECHNOLOGIES, LLC AND SHOULD NOT BE USED WITHOUT WRITTEN PERMISSION

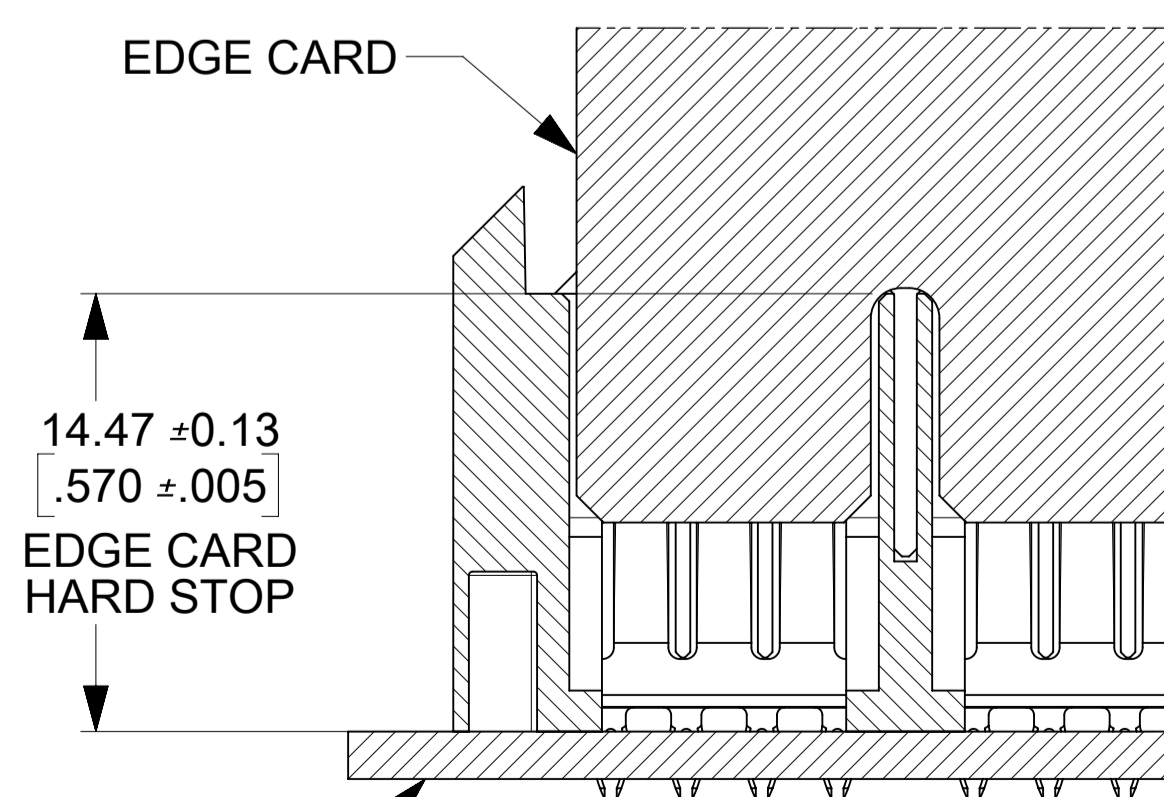
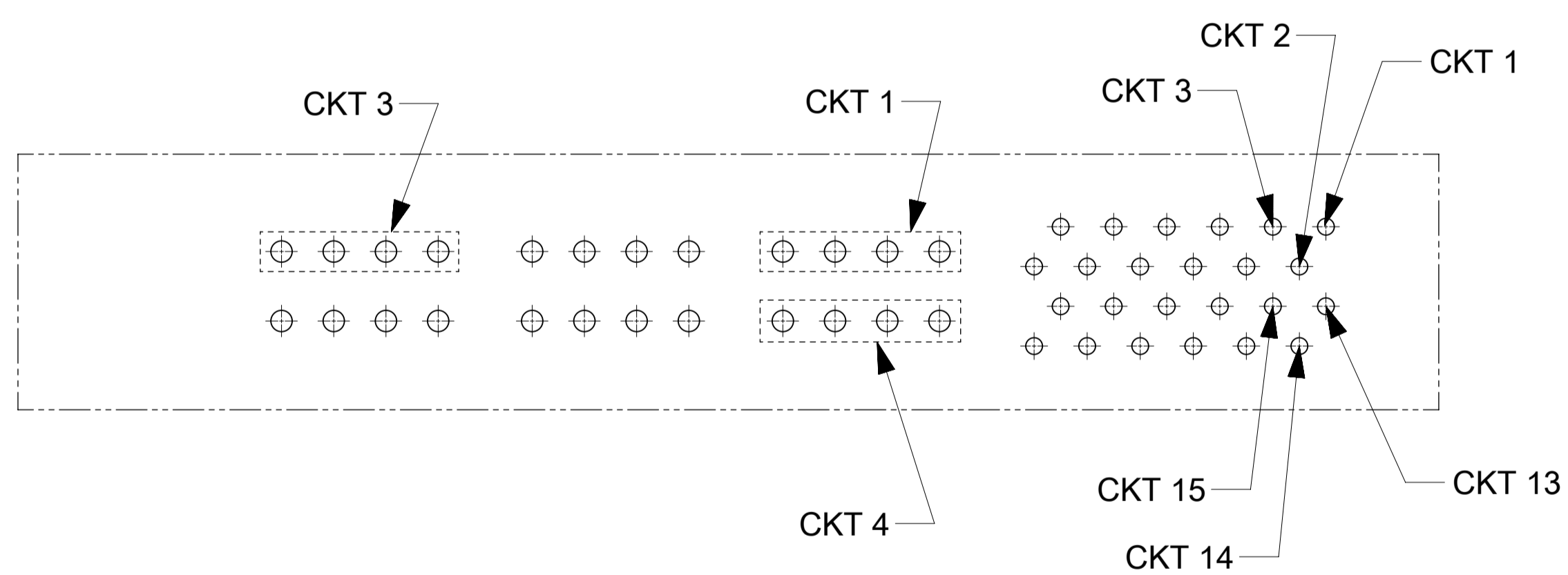
ADD 459854572 EC NO. 121352 DRWN: NVELUSAMY CHKD: JZENG REV: APPR: KHLIM 2017/08/21 2017/09/05 2017/10/26	GENERAL TOLERANCES (UNLESS SPECIFIED)		DIMENSION UNITS: MM [INCH]	SCALE: 4:1																				
	<table border="1"> <tr> <th></th> <th>MM</th> <th>INCH</th> </tr> <tr> <td>4 PLACES</td> <td>±</td> <td>±</td> </tr> <tr> <td>3 PLACES</td> <td>±</td> <td>± 0.01</td> </tr> <tr> <td>2 PLACES</td> <td>± 0.25</td> <td>±</td> </tr> <tr> <td>1 PLACES</td> <td>±</td> <td>±</td> </tr> <tr> <td>0 PLACES</td> <td>±</td> <td>±</td> </tr> </table>			MM		INCH	4 PLACES	±	±	3 PLACES	±	± 0.01	2 PLACES	± 0.25	±	1 PLACES	±	±	0 PLACES	±	±	DRWN BY: MKARADIMAS DATE: 2005/11/28	CHK'D BY: APATEL DATE: 10/13/06	LPH VERTICAL RECEPTACLE ASSEMBLY 6 CIRCUIT PWR CONNECTOR, PRESS FIT
		MM	INCH																					
	4 PLACES	±	±																					
3 PLACES	±	± 0.01																						
2 PLACES	± 0.25	±																						
1 PLACES	±	±																						
0 PLACES	±	±																						
ANGULAR TOL ± 0.5		APPR BY: JCOMERCI DATE: 2009/12/03	PRODUCT CUSTOMER DRAWING																					
DRAFT WHERE APPLICABLE MUST REMAIN WITHIN DIMENSIONS		DRAWING SIZE: A1	THIRD ANGLE PROJECTION		SERIES: 46114 MATERIAL NUMBER: SEE CHART CUSTOMER: GENERAL MARKET																			
RELEASE STATUS: P1 RELEASE DATE: 26.10.2017 07:45:35		DOCUMENT NUMBER: SD-46114-600 DOC TYPE: PSD DOC PART: 001 SHEET NUMBER: 2 OF 3																						

NO OF SIGNAL	DIM D
12	8.00/.315
16	10.54/.415
20	13.08/.515
24	15.62/.615
28	18.16/.715
32	20.70/.815
36	23.24/.915
40	25.78/1.015



RECOMMENDED EDGE CARD LAYOUT
EDGE CARD THICKNESS: 1.57/.062 ± 0.15/.006
PLATING: GOLD 30 ± INCHES MIN.
OVER 150 ± INCHES NICKEL.

0.38 X45° TYP
.015



SECTION Z-Z
SCALE 4:1

THIS DRAWING CONTAINS INFORMATION THAT IS PROPRIETARY TO MOLEX ELECTRONIC TECHNOLOGIES, LLC AND SHOULD NOT BE USED WITHOUT WRITTEN PERMISSION

ADD 459854572 EC NO. 121352 DRWN: NVELUSAMY CHKD: JZENG REV APPR: KHLIM 2017/08/21 2017/09/05 2017/10/26	GENERAL TOLERANCES (UNLESS SPECIFIED)		DIMENSION UNITS	SCALE		
			MM [INCH]	4:1		
	4 PLACES	±	±	DRWN BY		DATE
	3 PLACES	±	± 0.01	MKARADIMAS		2005/11/28
	2 PLACES	±	± 0.25	CHK'D BY		DATE
1 PLACES	±	±	APATEL	10/13/06		
0 PLACES	±	±	APPR BY	DATE		
ANGULAR TOL ± 0.5		DRAWING SIZE		THIRD ANGLE PROJECTION	JCOMERCI	
DRAFT WHERE APPLICABLE MUST REMAIN WITHIN DIMENSIONS		A1		2009/12/03		
				SERIES	MATERIAL NUMBER	
				46114	SEE CHART	
				CUSTOMER		
				GENERAL MARKET		
				DOCUMENT NUMBER	DOC TYPE	
				SD-46114-600	PSD	
				DOC PART	SHEET NUMBER	
				001	3 OF 3	