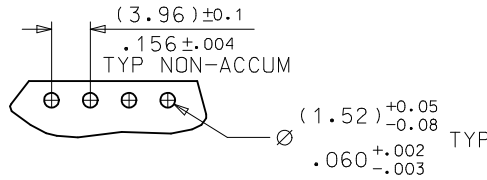
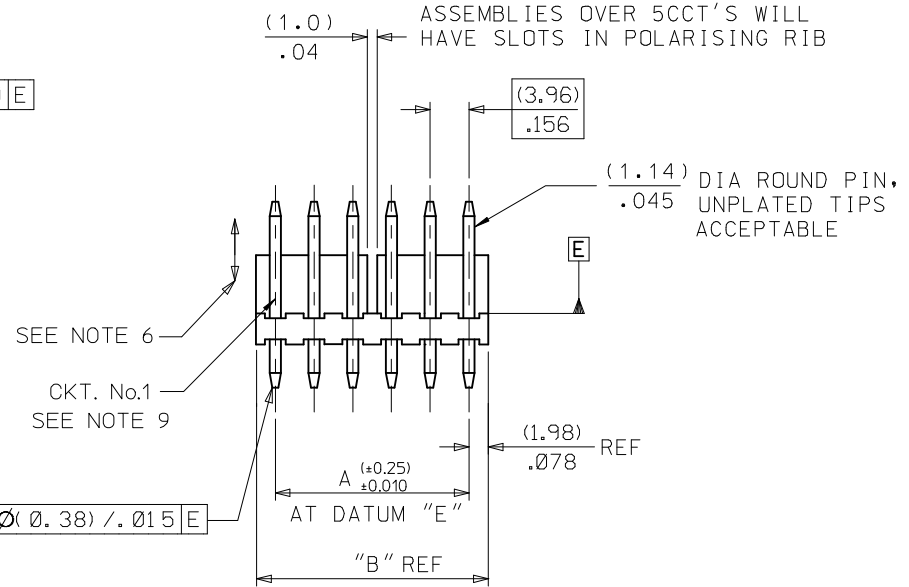
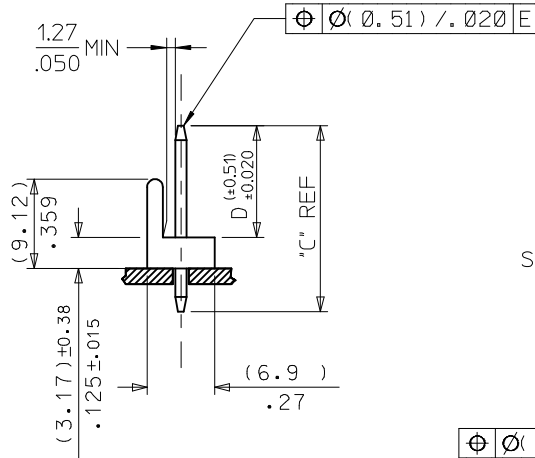


ENG No:		AE-3190-NA	
DIM "D"		(11.43) .450	
DIM "C"		(19.05) .750	
CCT SIZE	DIM "A"	DIM "B"	PART No
3	(7.92) .312	(11.89) .468	26-19-2031
4	(11.89) .468	(15.85) .624	26-19-2041
5	(15.85) .624	(19.81) .780	26-19-2051
6	(19.81) .780	(23.77) .936	26-19-2061
7	(23.77) .936	(27.74) 1.092	26-19-2071
8	(27.74) 1.092	(31.70) 1.248	26-19-2081
9	(31.70) 1.248	(35.66) 1.404	26-19-2091
10	(35.66) 1.404	(39.62) 1.560	26-19-2101
11	(39.62) 1.560	(43.59) 1.716	26-19-2111
12	(43.59) 1.716	(47.55) 1.872	26-19-2121
13	(47.55) 1.872	(51.51) 2.028	26-19-2131
14	(51.51) 2.028	(55.47) 2.184	26-19-2141
15	(55.47) 2.184	(59.44) 2.340	26-19-2151
16	(59.44) 2.340	(63.40) 2.496	26-19-2161
17	(63.40) 2.496	(67.36) 2.652	26-19-2171
18	(67.36) 2.652	(71.32) 2.808	26-19-2181
19	(71.32) 2.808	(75.29) 2.964	26-19-2191
20	(75.29) 2.964	(79.25) 3.120	26-19-2201



RECOMMENDED PCB HOLE DIMENSIONS

- NOTES:
1. MATERIAL: HOUSING: NYLON, UL94V-2, COLOR: NATURAL
PINS: BRASS
 2. FINISH: (0.00254)/.000100 MIN. MATTE TIN OVER
(0.00127)/.000050 MIN. NICKEL
UNPLATED TIPS ACCEPTABLE
 3. PRODUCT SPECIFICATION: PS-99020-0087
 4. PACKAGING SPECIFICATION: PER PK-3190-001
 5. THIS PART CONFORMS TO CLASS B REQUIREMENTS OF
COSMETIC SPECIFICATION PS-45499-002.
 6. PIN PUSHOUT FORCE 3 LBS MIN.
 7. PIN MUST CONFORM TO MOLEX SOLDERABILITY SPEC
SMES-152 AFTER PLATING.
 8. RECOMMENDED PCB BOARD 1.6MM
 9. CIRCUIT 1 USED TO DEFINE VOID LOCATION. CIRCUIT 1
MAY OR MAY NOT ALIGN WITH CIRCUIT 1 OF THE MATING PART.

REMOVE 2CKT EC NO: UCP2016-0549 DRAWN: 2015/08/06 CHKD: JDFOX APPR: F SMITH 2015/08/24	QUALITY SYMBOLS ▽E=0 ▽E=0 ▽E=0	GENERAL TOLERANCES (UNLESS SPECIFIED)		DIMENSION STYLE		SCALE	DESIGN UNITS	THIRD ANGLE PROJECTION		
				MM/IN		2:1	METRIC			
				DRAWN BY DATE		TITLE				
				CHECKED BY DATE		WAFER POL KK .156 FOR .045 ROUND PINS				
		APPROVED BY DATE		MATERIAL NO.		DOCUMENT NO.		SHEET NO.		
AD1		ANGULAR ±1/2°		SEE CHART		SDAE-3190-N**		1 OF 2		
		DRAFT WHERE APPLICABLE MUST REMAIN WITHIN DIMENSIONS		SIZE B		THIS DRAWING CONTAINS INFORMATION THAT IS PROPRIETARY TO MOLEX INCORPORATED AND SHOULD NOT BE USED WITHOUT WRITTEN PERMISSION				

ENG NO:		AE-3190-NA-*			
DIM "D"		(11.43) .450			
DIM "C"		(19.05) .750			
NO. OF CKTS	VOID LOCATION	PART NO.	ENG NO.	DIM. "A"	DIM. "B"
3	3	38-00-7587	AE-3190-3A-51	(7.92 ±0.25) .312 ±.010	(11.89) .486
4	2	↑ -7260	↑ -4A-51	(11.89) .469	(15.85) .624
4	3	-7261	-4A-52	(11.89) .469	(15.85) .624
5	2	-7588	-5A-54	(15.85) .624	(19.81) .780
5	3	-1589	-5A-03	(15.85) .624	(19.81) .780
5	4	-7604	-5A-04	(15.85) .624	(19.81) .780
5	2&4	-1200	-5A-51	(15.85) .624	(19.81) .780
5	1,3	-7262	-5A-52	(15.85) .624	(19.81) .780
5	3,5	-1588	-5A-53	(15.85) .624	(19.81) .780
6	3	-7642	-6A-54	(19.81) .780	(23.77) .936
6	4	-7263	-6A-51	(19.81) .780	(23.77) .936
6	5	-7641	-6A-53	(19.81) .780	(23.77) .936
6	3,6	-7589	-6A-52	(19.81) .780	(23.77) .936
7	6	-7605	-7A-06	(23.77) .936	(27.74) 1.092
8	4	-7590	-8A-51	(27.74) 1.092	(31.70) 1.248
9	4,7	-7638	-9A-52	(31.70) 1.248	(35.66) 1.404
10	3,4	-7639	-10A-51	(35.66) 1.404	(39.62) 1.560
11	6	-7591	-11A-55	(39.62) 1.560	(43.59) 1.716
11	2,4,8	-7264	-11A-52	(39.62) 1.560	(43.59) 1.716
11	3,4,8	-1587	-11A-53	(39.62) 1.560	(43.59) 1.716
11	4,8,9	-1586	-11A-54	(39.62) 1.560	(43.59) 1.716
13	3	-7669	-13A-3	(47.55) 1.872	(51.51) 2.028
13	4,8,11	-7640	-13A-51	(47.55) 1.872	(51.51) 2.028
15	3,9	↓ -8241	↓ -15A-52	(55.47) 2.184	(59.44) 2.340
15	9,13	38-00-8242	AE-3190-15A-53	(55.47 ±0.25) 2.184 ±.010	(59.44) 2.340

OBsolete PART #S EC NO: UCP/2011-0768 DRWN:MK/PPER 2010/09/20 CHKD:SSOUSEK APPR:FSM/TH 2011/02/11	QUALITY SYMBOLS	GENERAL TOLERANCES (UNLESS SPECIFIED)	DIMENSION STYLE	SCALE	DESIGN UNITS	THIRD ANGLE PROJECTION
	$F_A=0$ $F_C=0$ $F_P=0$	mm INCH 4 PLACES ± --- ± --- 3 PLACES ± --- ± --- 2 PLACES ± --- ± --- 1 PLACE ± --- ± ---	MM/IN	---	METRIC	
		DRAWN BY DATE M. GOONEY 2000/10/23 CHECKED BY DATE E. FOLAN 2000/11/09 APPROVED BY DATE M. WILHITE 2000/11/09	TITLE	WAFER POLARIZING KK .156 (3.96)/.156, MOLDED FOR (1.14)/.045RD, PIN, W/VOID		
		MATERIAL NO. SEE CHART DRAFT WHERE APPLICABLE MUST REMAIN WITHIN DIMENSIONS	THIS DRAWING CONTAINS INFORMATION THAT IS PROPRIETARY TO MOLEX INCORPORATED AND SHOULD NOT BE USED WITHOUT WRITTEN PERMISSION	MOLEX MOLEX INCORPORATED DOCUMENT NO. SDAE-3190-N**	SHEET NO. 2 OF 2	