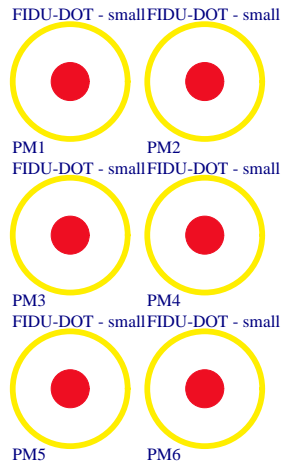
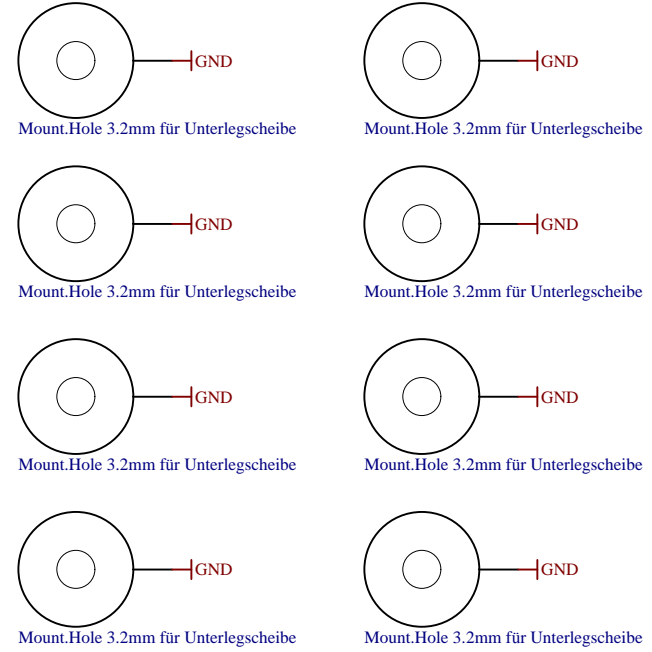


U_J1 J1.SchDoc	U_B_PS_GT B_PS_GT.SchDoc	U_DDR4-TERM DDR4-TERM.SchDoc
U_J2 J2.SchDoc	U_PS_DDR PS_DDR.SchDoc	U_ZU_POWER ZU_POWER.SchDoc
U_J3 J3.SchDoc	U_B_MIO B_MIO.SchDoc	U_ZU_PS_POWER ZU_PS_POWER.SchDoc
U_J4 J4.SchDoc	U_B_HD B_HD.SchDoc	U_POWER POWER.SchDoc
U_DDR4-TERM DDR4-TERM.SchDoc	U_Clock Clock.SchDoc	U_POWER_2 POWER_2.SchDoc
U_B64 B64.SchDoc	U_CONFIG CONFIG.SchDoc	U_POWER_3 POWER_3.SchDoc
U_B65 B65.SchDoc	U_DDR4-RAM DDR4-RAM.SchDoc	U_POWER_4 POWER_4.SchDoc
U_B66 B66.SchDoc	U_DDR4-RAM_2 DDR4-RAM_2.SchDoc	
U_B_GT B_GT.SchDoc	U_DDR4-RAM_3 DDR4-RAM_3.SchDoc	
U_B_GT_2 B_GT_2.SchDoc	U_DDR4-RAM_4 DDR4-RAM_4.SchDoc	

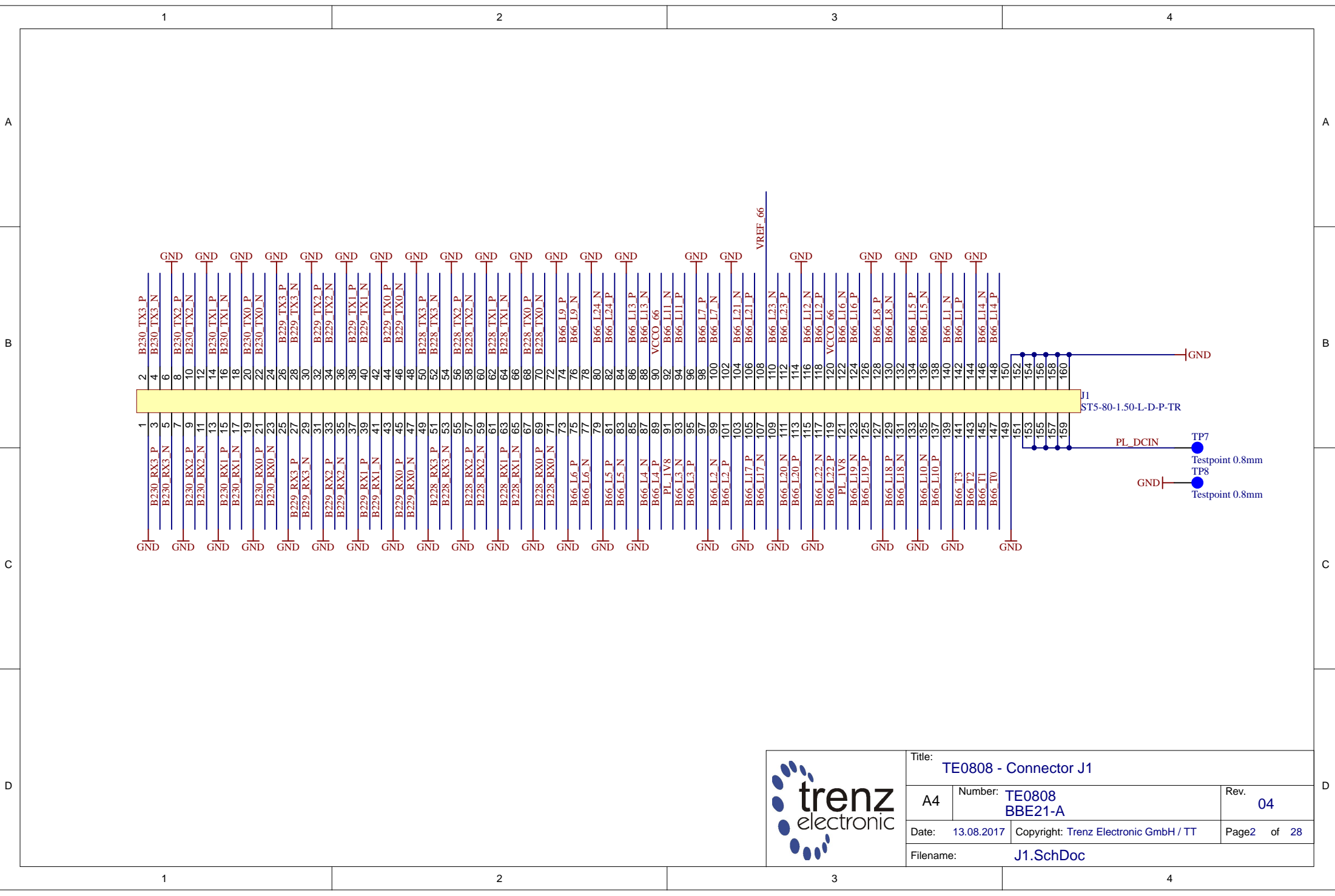


LOGO1
TE Logo PRINT Layer
LOGO PRINT

Serial
Serialnummer 6,3 x 6.3mm

Assembly variant	BBE21-A
Created by	VY
Modified by	VY
Modified at	2019-07-08
SVN Revision	8500

Title: TE0808		
A4	Number: TE0808 BBE21-A	Rev. 04
Date: 13.08.2017	Copyright: Trenz Electronic GmbH / TT	Page 1 of 28
Filename: TE0808.SchDoc		



Title: TE0808 - Connector J1		
A4	Number: TE0808 BBE21-A	Rev. 04
Date: 13.08.2017	Copyright: Trenz Electronic GmbH / TT	Page2 of 28
Filename: J1.SchDoc		

1

2

3

4

A

A

B

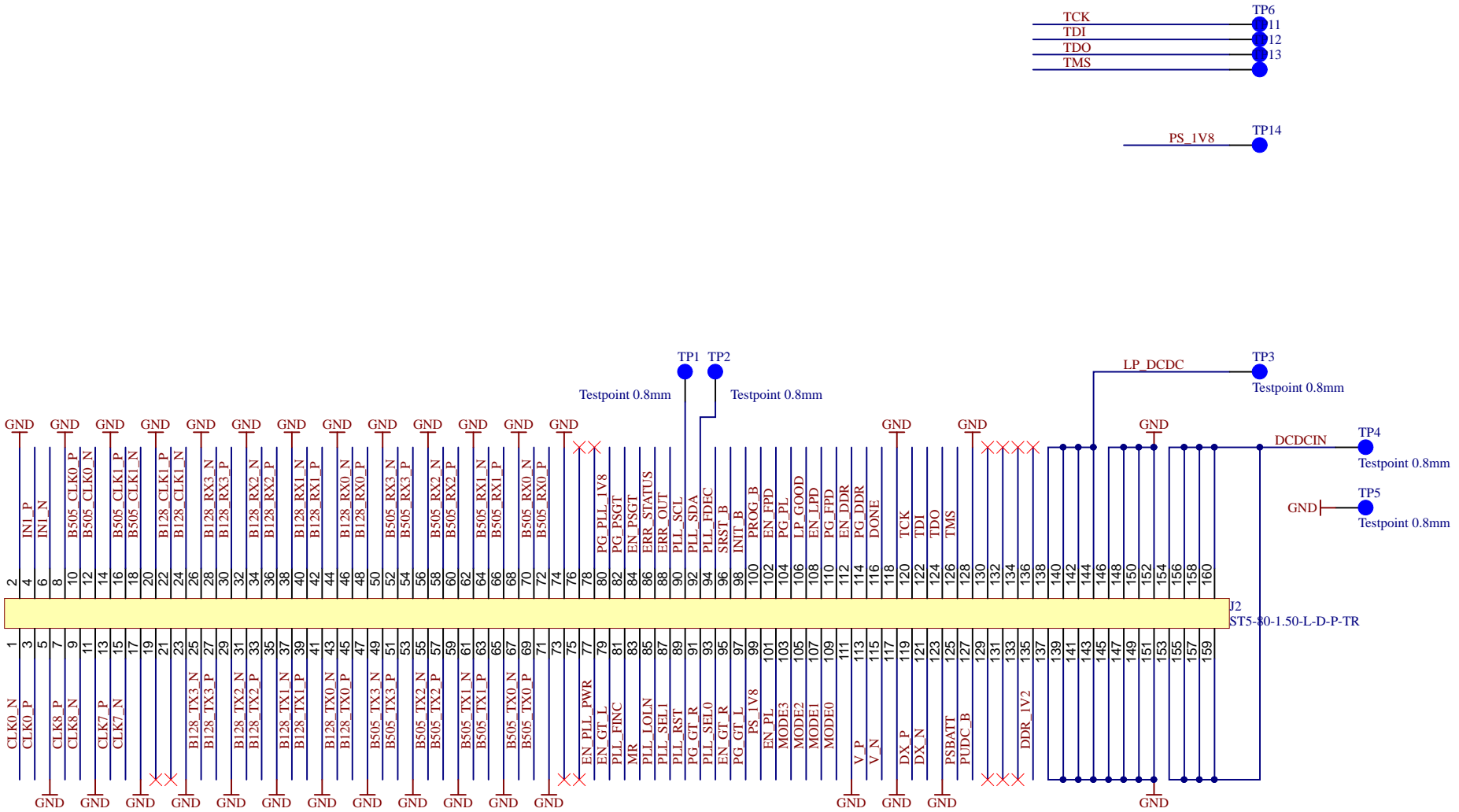
B


C

C

D

D



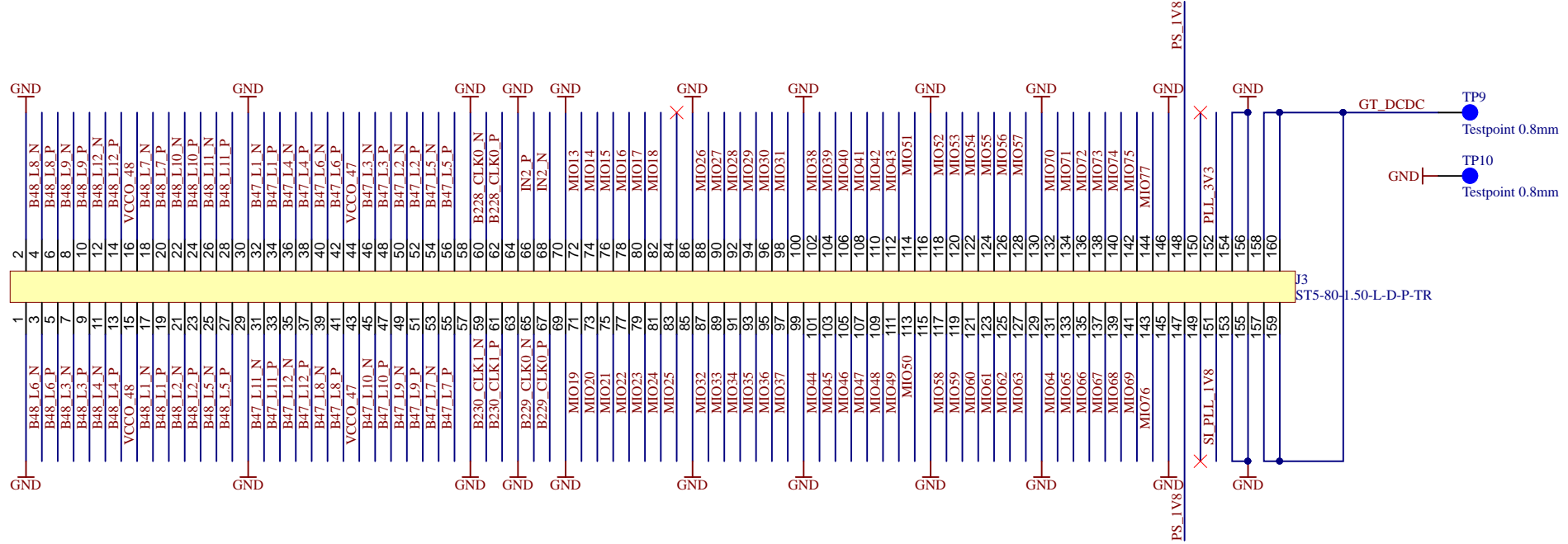
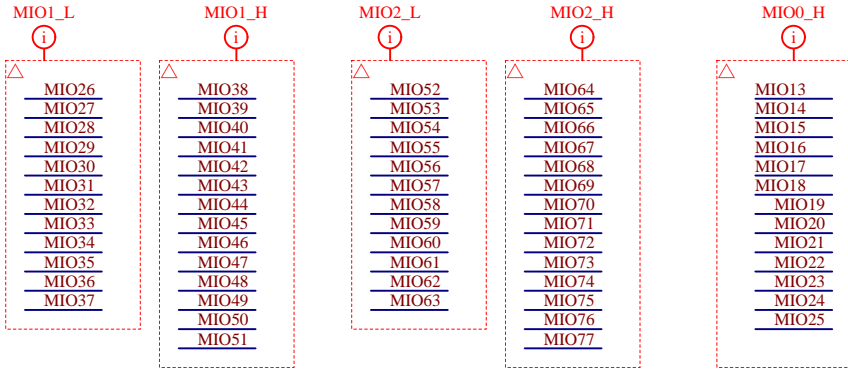
			Title: TE0808 - Connector J2	
			A4	Number: TE0808 BBE21-A
Date: 13.08.2017		Copyright: Trenz Electronic GmbH / TT		Page3 of 28
Filename: J2.SchDoc				


1

2

3

4



			Title: TE0808 - Connector J3	
			A4	Number: TE0808 BBE21-A
Date: 13.08.2017		Copyright: Trenz Electronic GmbH / TT		Page4 of 28
Filename: J3.SchDoc				

A

B

C

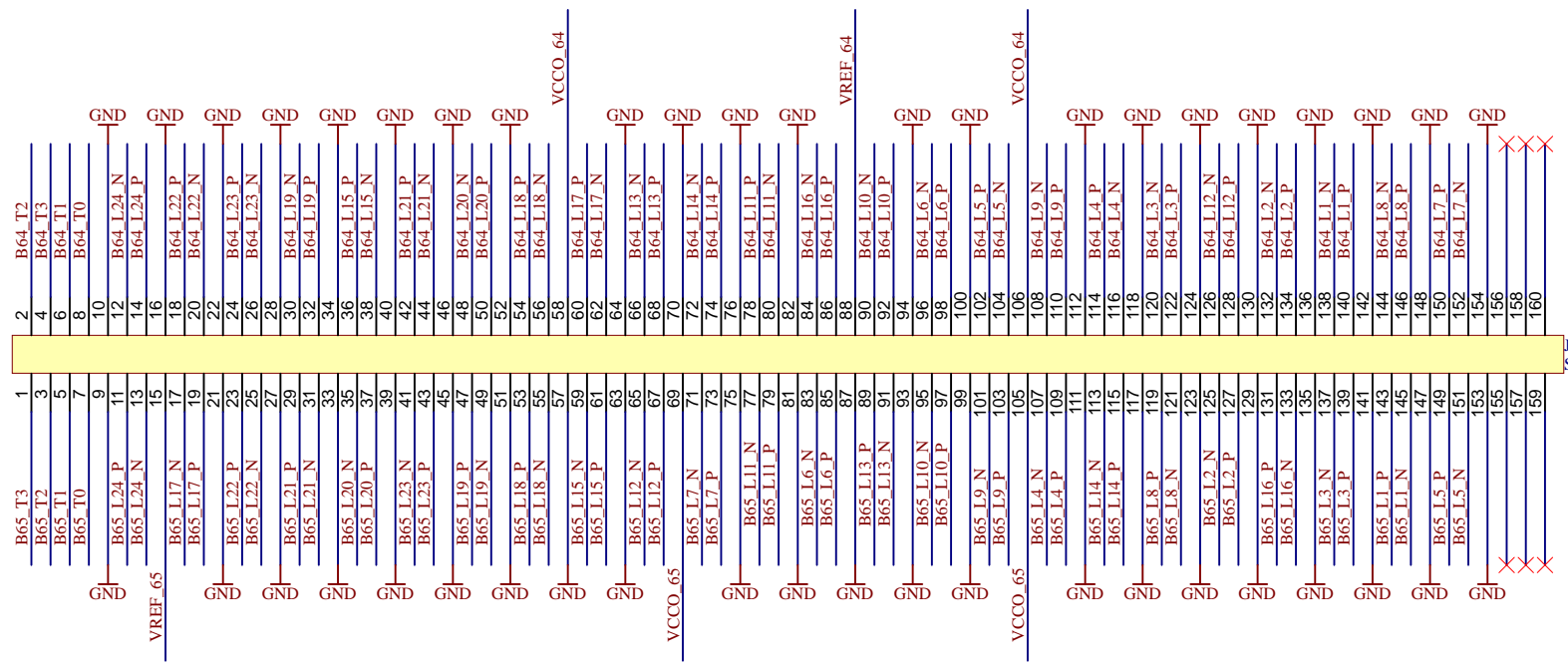
D

1

2

3

4



J4
ST5-80-1.50-L-D-P-TR



Title: TE0808 - Connector J4		
A4	Number: TE0808 BBE21-A	Rev. 04
Date: 13.08.2017	Copyright: Trenz Electronic GmbH / TT	Page5 of 28
Filename: J4.SchDoc		

1

2

3

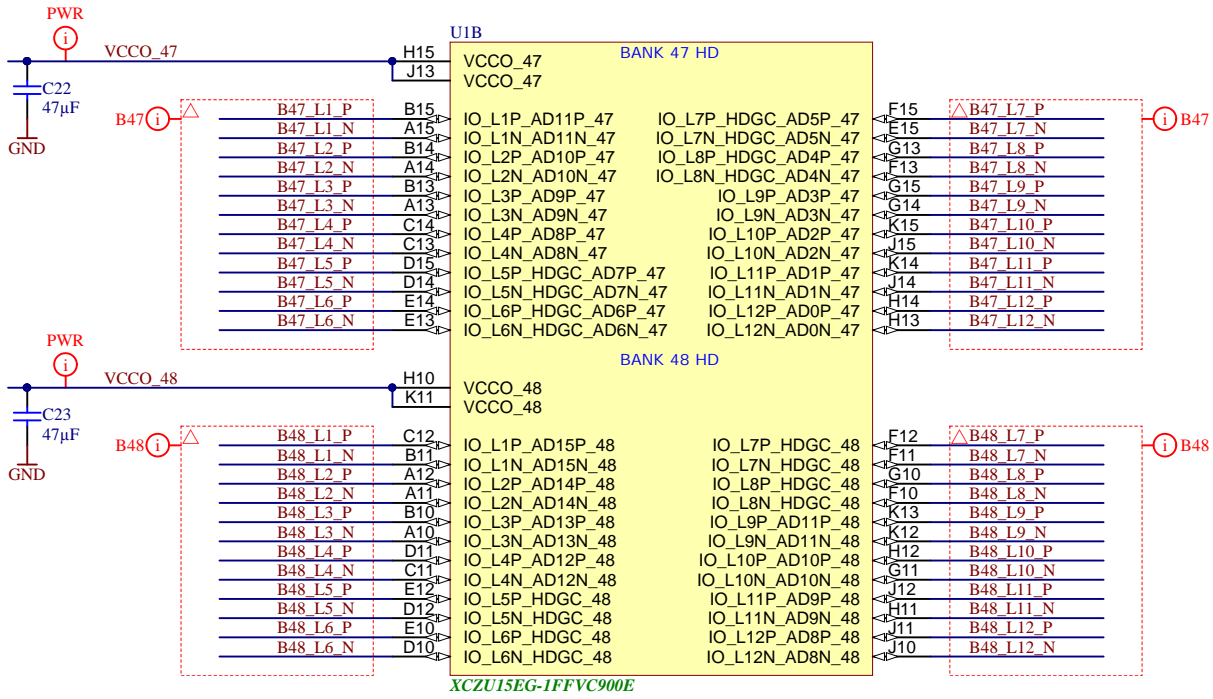
4

A

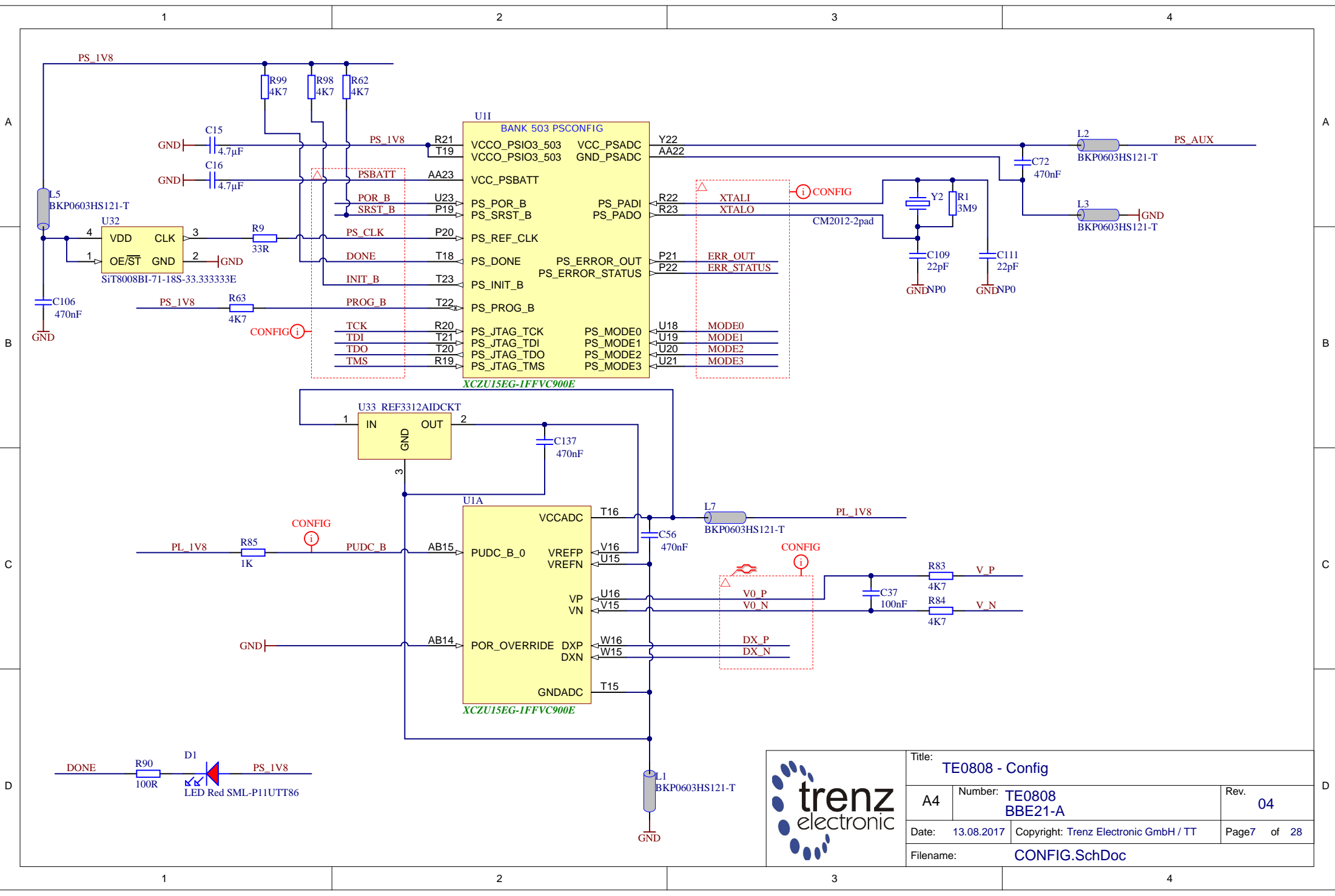
B

C

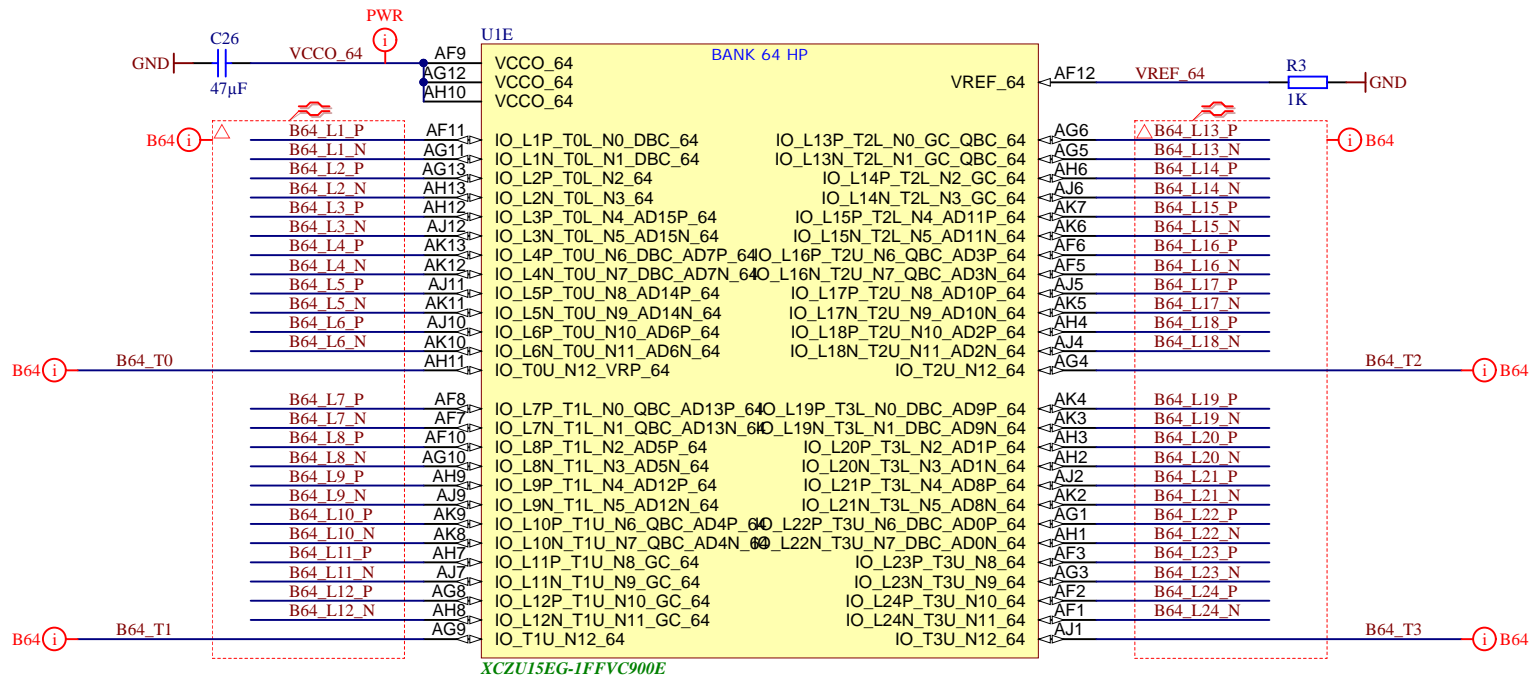
D



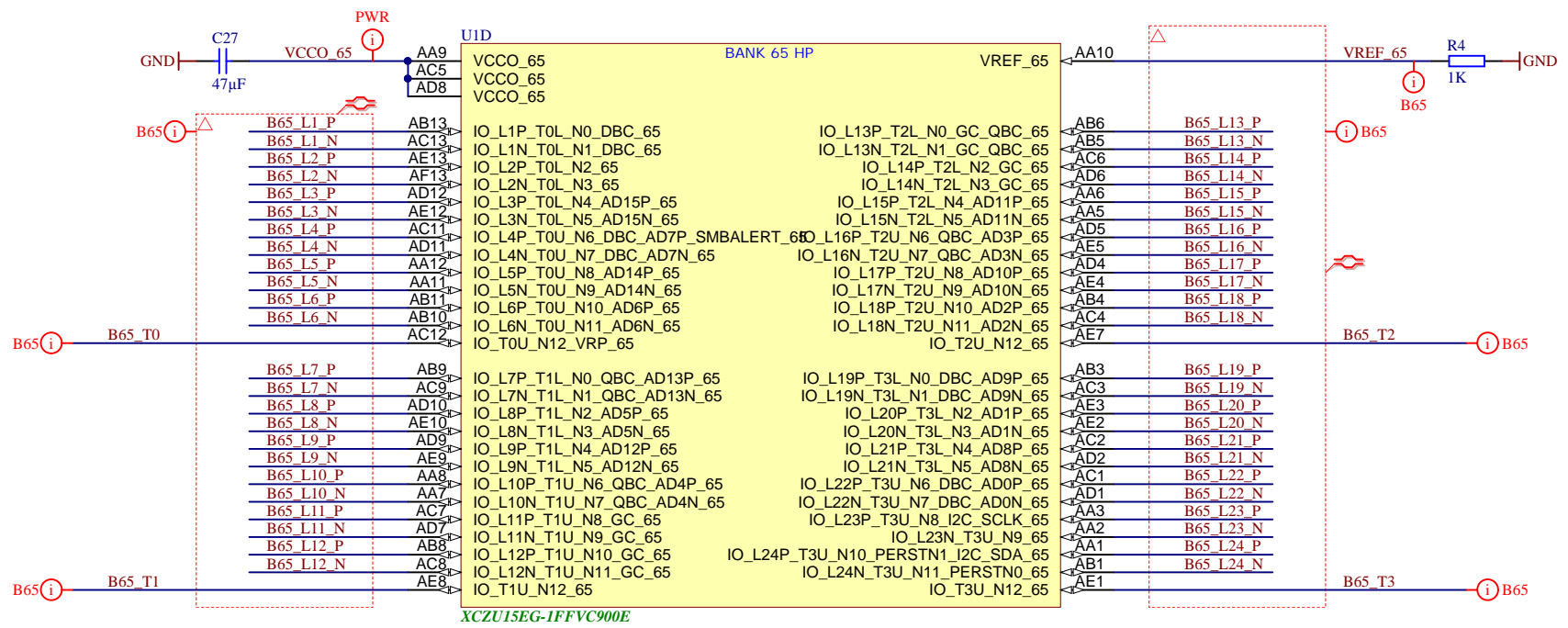
Title: TE0808 - B47HD and B48HD		
A4	Number: TE0808 BBE21-A	Rev. 04
Date: 13.08.2017	Copyright: Trenz Electronic GmbH / TT	Page6 of 28
Filename: B_HD.SchDoc		



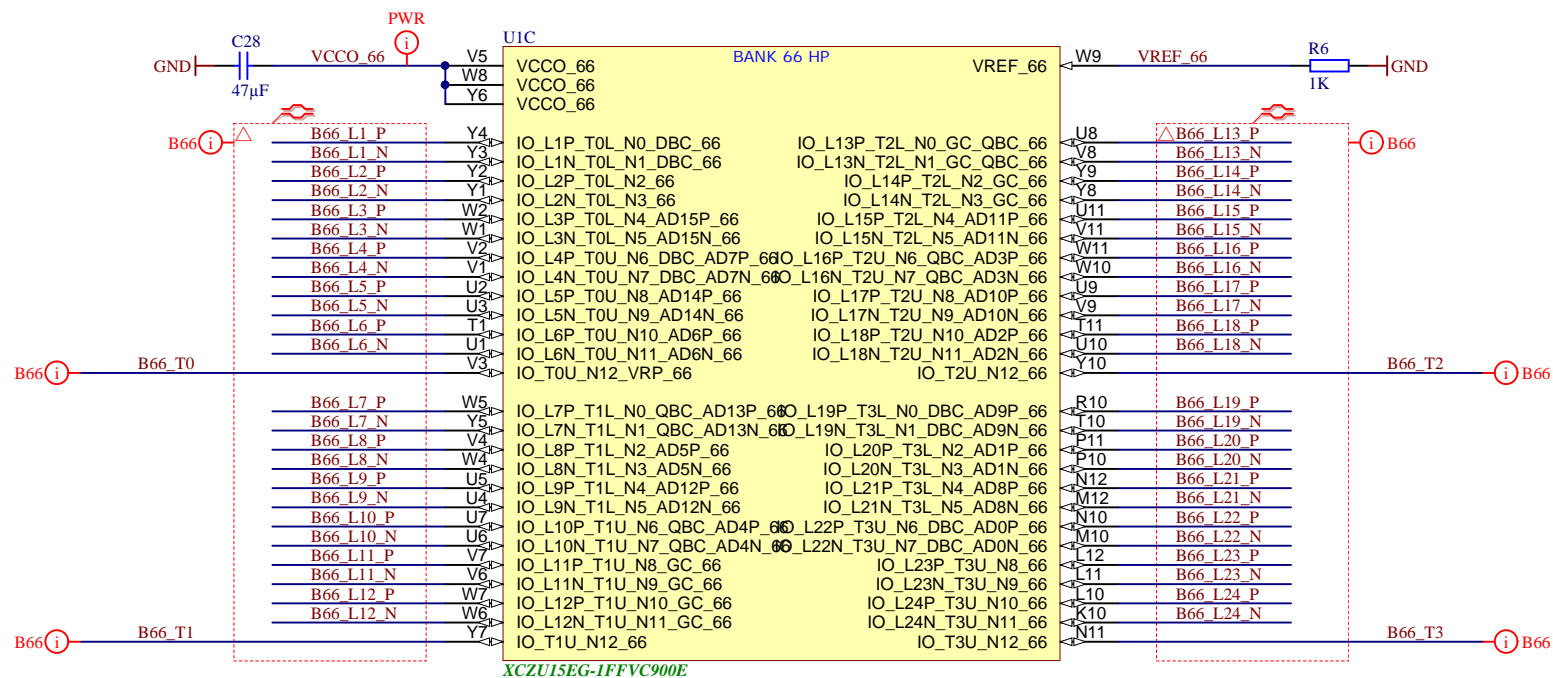
Title: TE0808 - Config		
A4	Number: TE0808 BBE21-A	Rev. 04
Date: 13.08.2017	Copyright: Trenz Electronic GmbH / TT	Page 7 of 28
Filename: CONFIG.SchDoc		




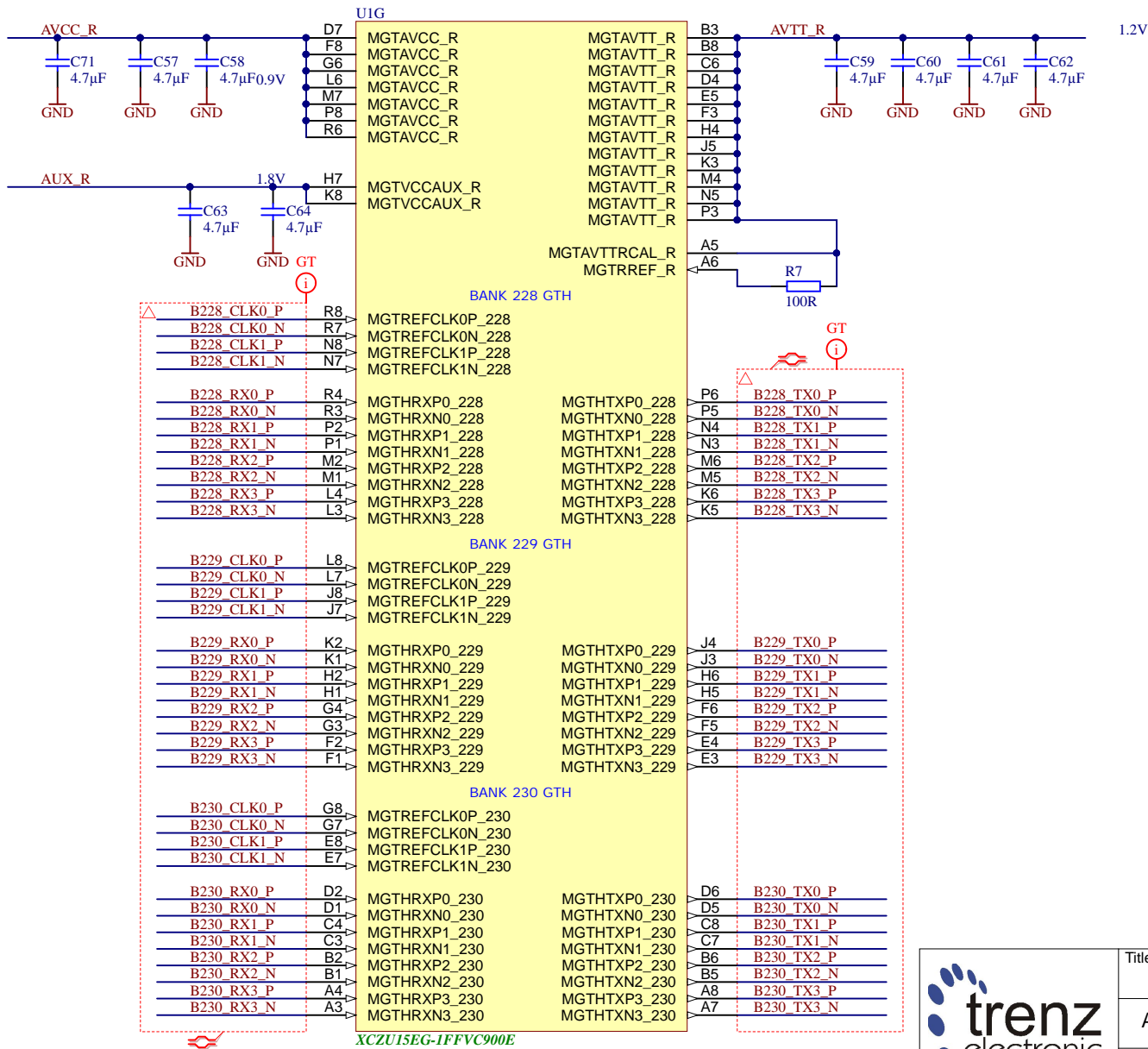
Title: TE0808 - B64		
A4	Number: TE0808 BBE21-A	Rev. 04
Date: 13.08.2017	Copyright: Trenz Electronic GmbH / TT	Page 8 of 28
Filename: B64.SchDoc		



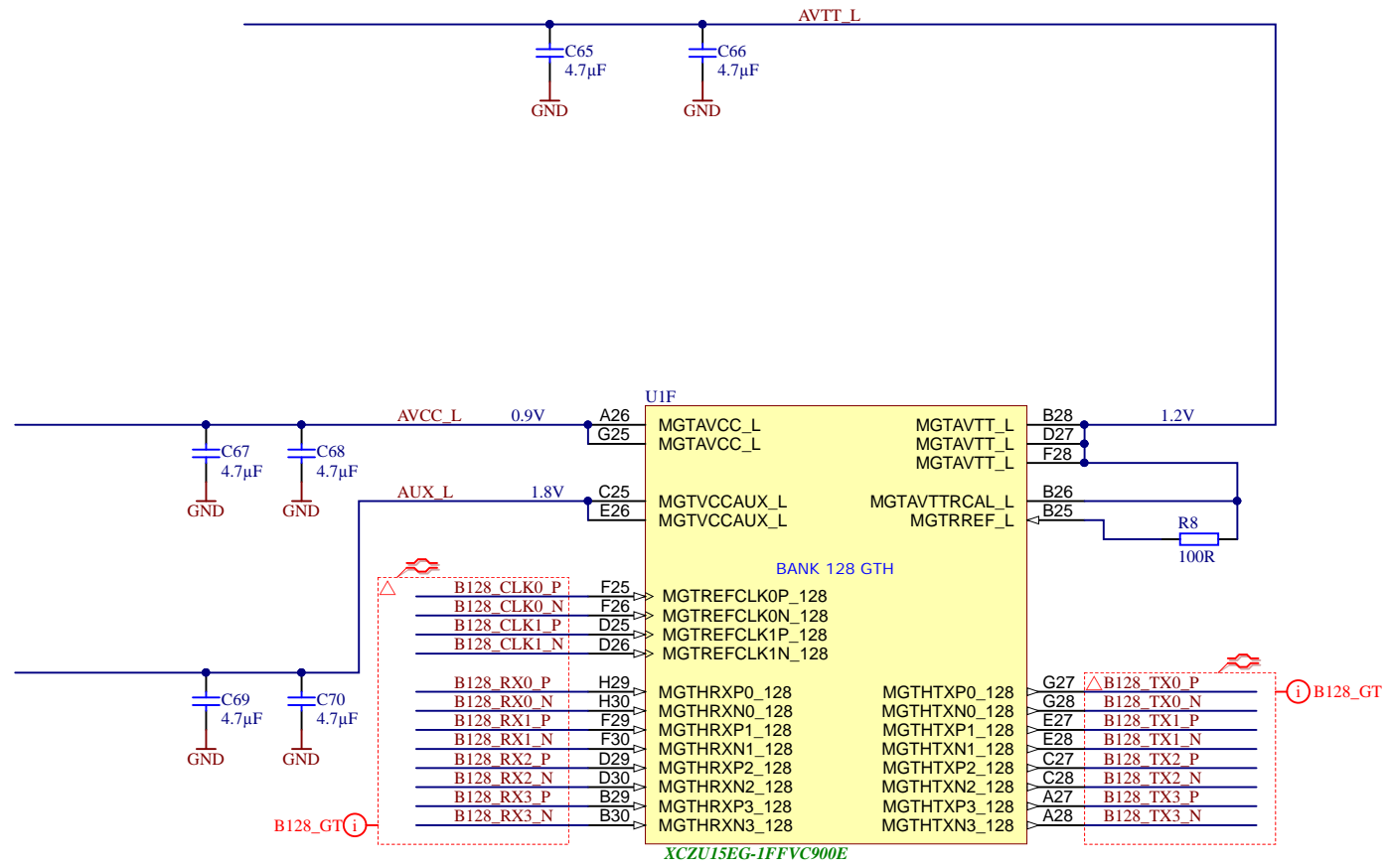
Title: TE0808 - B65		
A4	Number: TE0808 BBE21-A	Rev. 04
Date: 13.08.2017	Copyright: Trenz Electronic GmbH / TT	Page9 of 28
Filename: B65.SchDoc		



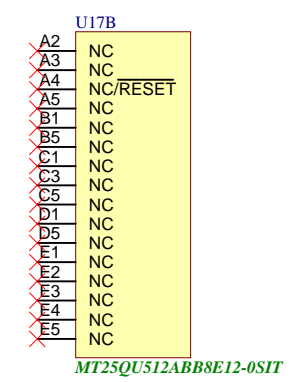
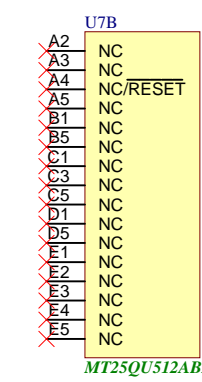
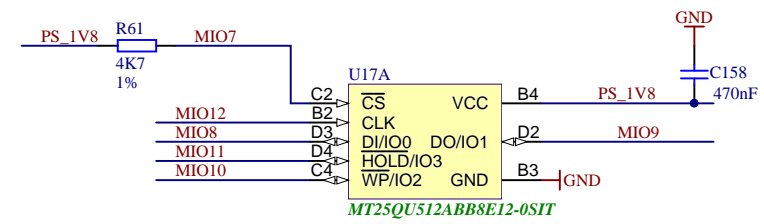
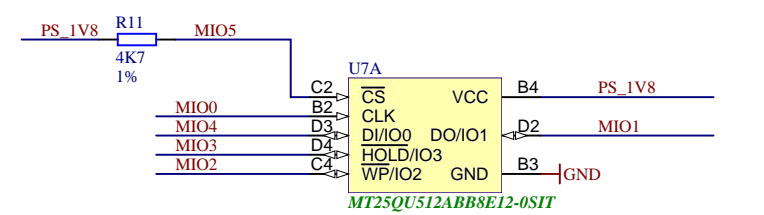
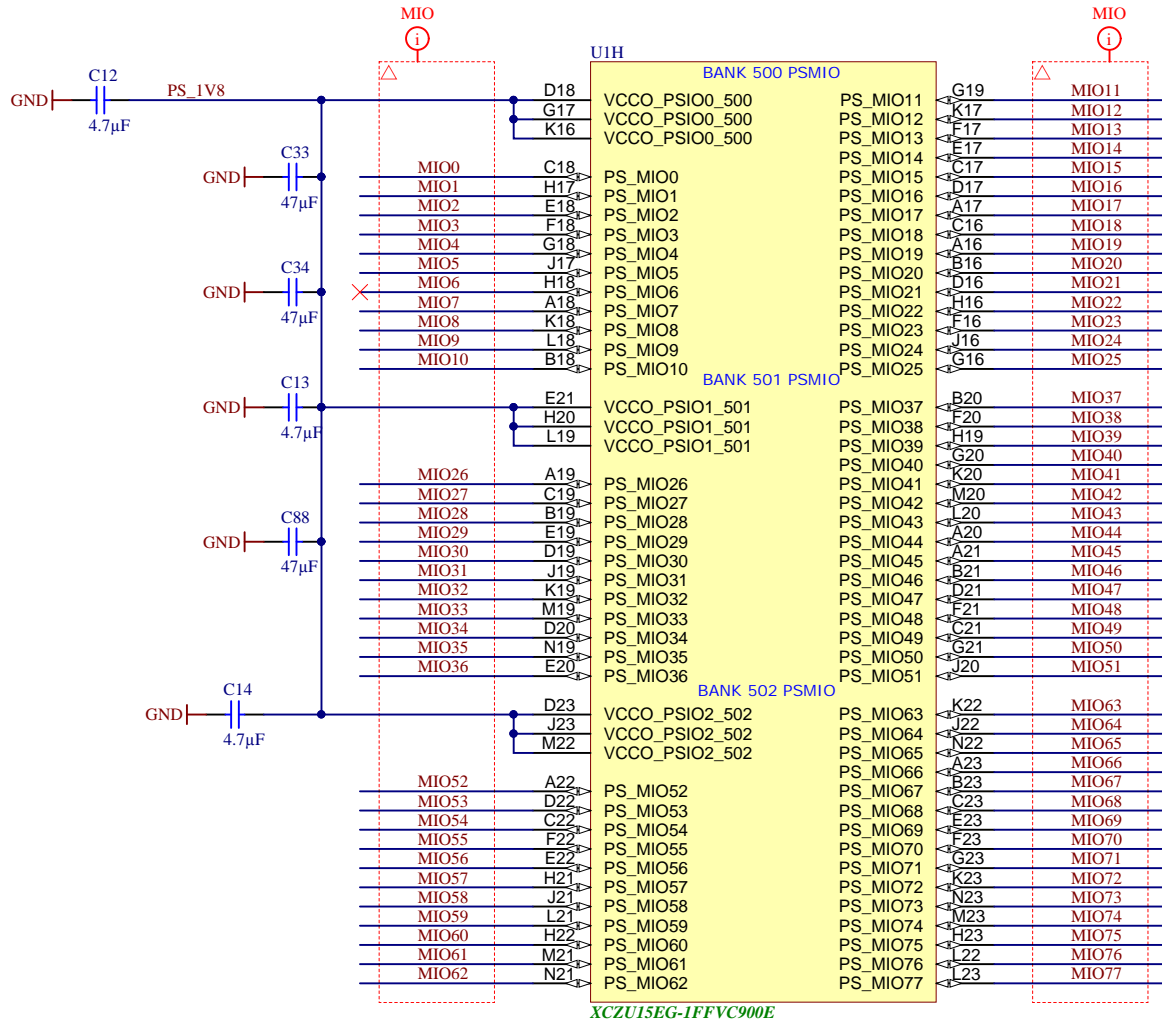
	Title: TE0808 - B66		
	A4	Number: TE0808 BBE21-A	Rev. 04
	Date: 13.08.2017	Copyright: Trenz Electronic GmbH / TT	Page 10 of 28
	Filename: B66.SchDoc		



Title: TE0808 - B228GTH_B229GTH_B230GTH		
A4	Number: TE0808 BBE21-A	Rev. 04
Date: 13.08.2017	Copyright: Trenz Electronic GmbH / TT	Page 11 of 28
Filename: B_GT.SchDoc		



	Title: TE0808 - B128GTH	
	A4	Number: TE0808 BBE21-A
	Date: 13.08.2017	Copyright: Trenz Electronic GmbH / TT
	Filename: B_GT_2.SchDoc	
	Rev. 04	Page 12 of 28



	Title: TE0808 - MIO Banks		
	A4	Number: TE0808 BBE21-A	Rev. 04
	Date: 13.08.2017	Copyright: Trenz Electronic GmbH / TT	Page 13 of 28
	Filename: B_MIO.SchDoc		

A

A

B

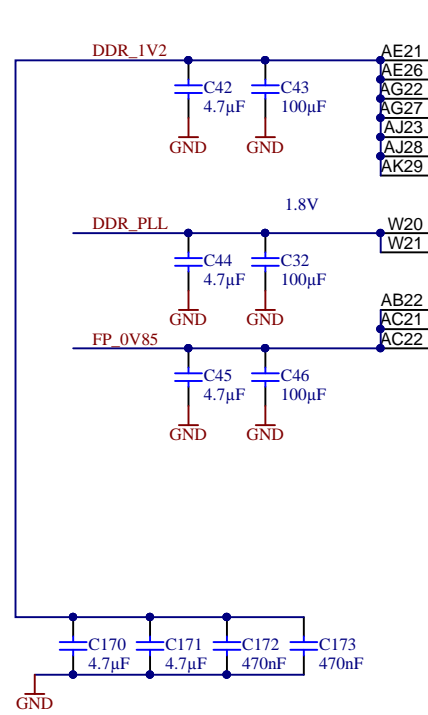
B

C

C

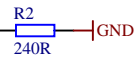
D

D



UIJ		BANK 504 PSDDR	
VCCO_PSDDR_504	PS_DDR_CK0	AJ26	DDR4-CLK0_P
VCCO_PSDDR_504	PS_DDR_CK_N0	AJ27	DDR4-CLK0_N
VCCO_PSDDR_504	PS_DDR_CKE0	AJ25	DDR4-CKE0
VCCO_PSDDR_504		AG23	
VCCO_PSDDR_504	PS_DDR_CK1	AG24	
VCCO_PSDDR_504	PS_DDR_CK_N1	AH27	
VCCO_PSDDR_504	PS_DDR_CKE1		
VCC_PSDDR_PLL	PS_DDR_A0	AK25	DDR4-A0
VCC_PSDDR_PLL	PS_DDR_A1	AK28	DDR4-A1
VCC_PSDDR_PLL	PS_DDR_A2	AK27	DDR4-A2
	PS_DDR_A3	AH24	DDR4-A3
	PS_DDR_A4	AK24	DDR4-A4
VCC_PSINTFP_DDR	PS_DDR_A5	AJ30	DDR4-A5
VCC_PSINTFP_DDR	PS_DDR_A6	AE22	DDR4-A6
VCC_PSINTFP_DDR	PS_DDR_A7	AE25	DDR4-A7
	PS_DDR_A8	AE23	DDR4-A8
	PS_DDR_A9	AE24	DDR4-A9
	PS_DDR_A10	AD22	DDR4-A10
	PS_DDR_A11	AH23	DDR4-A11
	PS_DDR_A12	AF21	DDR4-A12
	PS_DDR_A13	AG21	DDR4-A13
	PS_DDR_A14	AF22	DDR4-A14
	PS_DDR_A15	AF23	DDR4-A15
	PS_DDR_A16	AD21	DDR4-A16
	PS_DDR_A17	AD20	DDR4-A17
	PS_DDR_CS_N0	AJ24	DDR4-CS
	PS_DDR_CS_N1	AG25	
	PS_DDR_BA0	AG26	DDR4-BA0
	PS_DDR_BA1	AF25	DDR4-BA1
	PS_DDR_BG0	AF26	DDR4-BG0
	PS_DDR_BG1	AD26	
	PS_DDR_PARITY	AC14	DDR4-PAR
	PS_DDR_RAM_RST_N	AC16	DDR4-RESET
	PS_DDR_ACT_N	AC17	DDR4-ACT
	PS_DDR_ALERT_N	AD19	DDR4-ALERT
	PS_DDR_ZQ	AC23	
	PS_DDR_ODT0	AJ29	DDR4-ODT0
	PS_DDR_ODT1	AH26	

XCZU15EG-1FFVC900E



UIK		BANK 504 PSDDR	
DQ0	AK17	PS_DDR_DQ0	PS_DDR_DQ32
DQ1	AH17	PS_DDR_DQ1	PS_DDR_DQ33
DQ2	AJ17	PS_DDR_DQ2	PS_DDR_DQ34
DQ3	AH16	PS_DDR_DQ3	PS_DDR_DQ35
DQ4	AK15	PS_DDR_DQ4	PS_DDR_DQ36
DQ5	AK14	PS_DDR_DQ5	PS_DDR_DQ37
DQ6	AJ14	PS_DDR_DQ6	PS_DDR_DQ38
DQ7	AH14	PS_DDR_DQ7	PS_DDR_DQ39
DQ8	AK19	PS_DDR_DQ8	PS_DDR_DQ40
DQ9	AK18	PS_DDR_DQ9	PS_DDR_DQ41
DQ10	AJ19	PS_DDR_DQ10	PS_DDR_DQ42
DQ11	AH19	PS_DDR_DQ11	PS_DDR_DQ43
DQ12	AK21	PS_DDR_DQ12	PS_DDR_DQ44
DQ13	AK22	PS_DDR_DQ13	PS_DDR_DQ45
DQ14	AH21	PS_DDR_DQ14	PS_DDR_DQ46
DQ15	AJ22	PS_DDR_DQ15	PS_DDR_DQ47
DQ16	AG14	PS_DDR_DQ16	PS_DDR_DQ48
DQ17	AG15	PS_DDR_DQ17	PS_DDR_DQ49
DQ18	AG16	PS_DDR_DQ18	PS_DDR_DQ50
DQ19	AF16	PS_DDR_DQ19	PS_DDR_DQ51
DQ20	AD14	PS_DDR_DQ20	PS_DDR_DQ52
DQ21	AD16	PS_DDR_DQ21	PS_DDR_DQ53
DQ22	AD15	PS_DDR_DQ22	PS_DDR_DQ54
DQ23	AD17	PS_DDR_DQ23	PS_DDR_DQ55
DQ24	AE17	PS_DDR_DQ24	PS_DDR_DQ56
DQ25	AE18	PS_DDR_DQ25	PS_DDR_DQ57
DQ26	AE20	PS_DDR_DQ26	PS_DDR_DQ58
DQ27	AE19	PS_DDR_DQ27	PS_DDR_DQ59
DQ28	AG18	PS_DDR_DQ28	PS_DDR_DQ60
DQ29	AH18	PS_DDR_DQ29	PS_DDR_DQ61
DQ30	AG19	PS_DDR_DQ30	PS_DDR_DQ62
DQ31	AG20	PS_DDR_DQ31	PS_DDR_DQ63
DDR4-DQS0_P	AJ15	PS_DDR_DQS_P0	PS_DDR_DQ64
DDR4-DQS0_N	AJ16	PS_DDR_DQS_N0	PS_DDR_DQ65
DDR4-DQS1_P	AJ20	PS_DDR_DQS_P1	PS_DDR_DQ66
DDR4-DQS1_N	AJ21	PS_DDR_DQS_N1	PS_DDR_DQ67
DDR4-DQS2_P	AE15	PS_DDR_DQS_P2	PS_DDR_DQ68
DDR4-DQS2_N	AF15	PS_DDR_DQS_N2	PS_DDR_DQ69
DDR4-DQS3_P	AF17	PS_DDR_DQS_P3	PS_DDR_DQ70
DDR4-DQS3_N	AF18	PS_DDR_DQS_N3	PS_DDR_DQ71
DDR4-DQS4_P	AB24	PS_DDR_DQS_P4	PS_DDR_DM0
DDR4-DQS4_N	AB25	PS_DDR_DQS_N4	PS_DDR_DM1
DDR4-DQS5_P	V26	PS_DDR_DQS_P5	PS_DDR_DM2
DDR4-DQS5_N	V27	PS_DDR_DQS_N5	PS_DDR_DM3
DDR4-DQS6_P	AC28	PS_DDR_DQS_P6	PS_DDR_DM4
DDR4-DQS6_N	AC29	PS_DDR_DQS_N6	PS_DDR_DM5
DDR4-DQS7_P	W29	PS_DDR_DQS_P7	PS_DDR_DM6
DDR4-DQS7_N	Y29	PS_DDR_DQS_N7	PS_DDR_DM7
	AG29	PS_DDR_DQS_P8	PS_DDR_DM8
	AH29	PS_DDR_DQS_N8	

XCZU15EG-1FFVC900E



Title: TE0808 - PS_DDR		
A4	Number: TE0808 BBE21-A	Rev. 04
Date: 13.08.2017	Copyright: Trenz Electronic GmbH / TT	Page 14 of 28
Filename: PS_DDR.SchDoc		

1

2

3

4

A

A

B

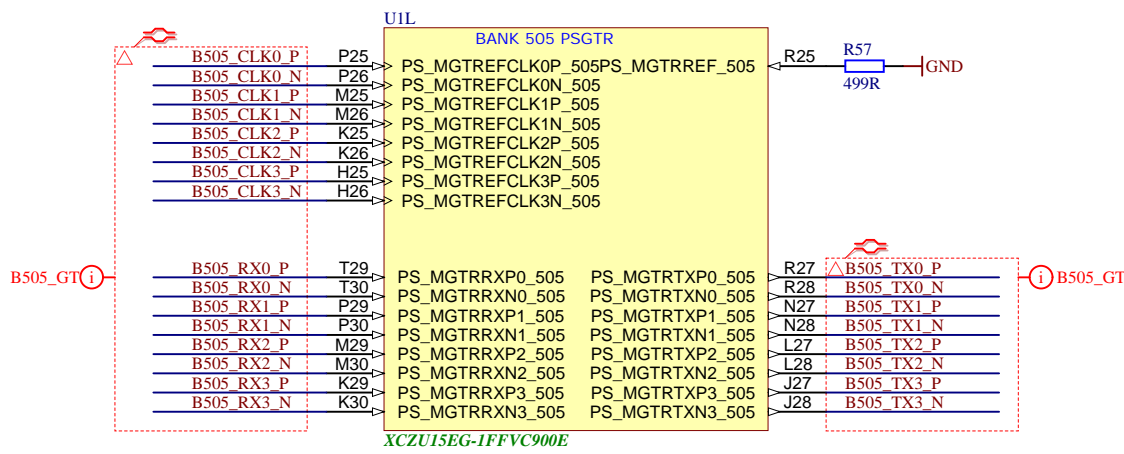
B


C

C

D

D



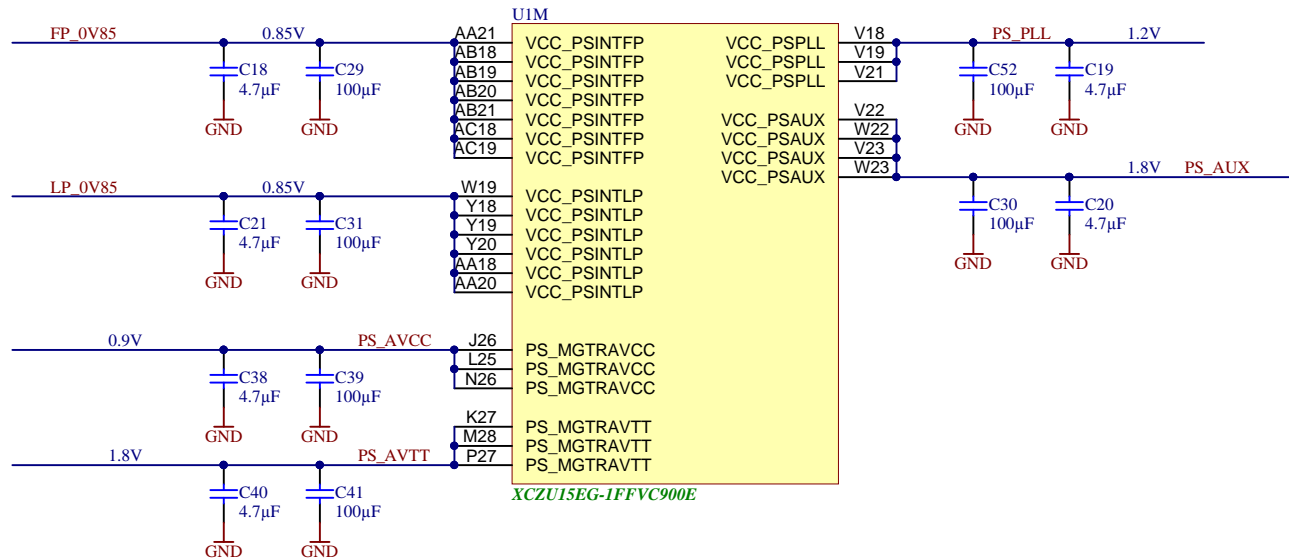
	Title: TE0808 - PS_GT		
	A4	Number: TE0808 BBE21-A	Rev. 04
	Date: 13.08.2017	Copyright: Trenz Electronic GmbH / TT	Page 15 of 28
	Filename: B_PS_GT.SchDoc		


1

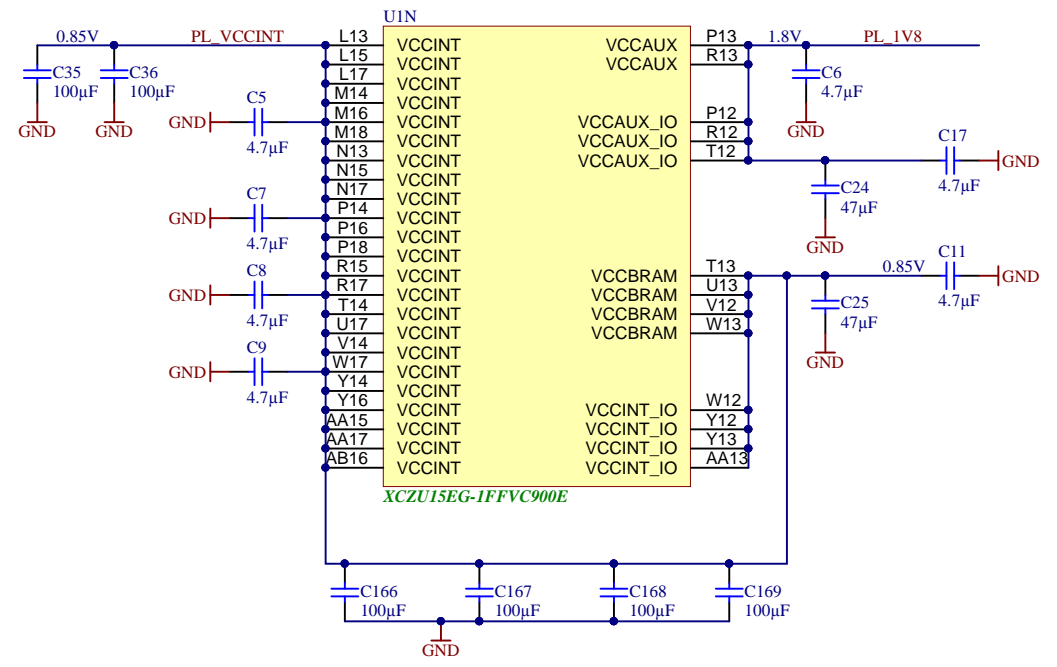
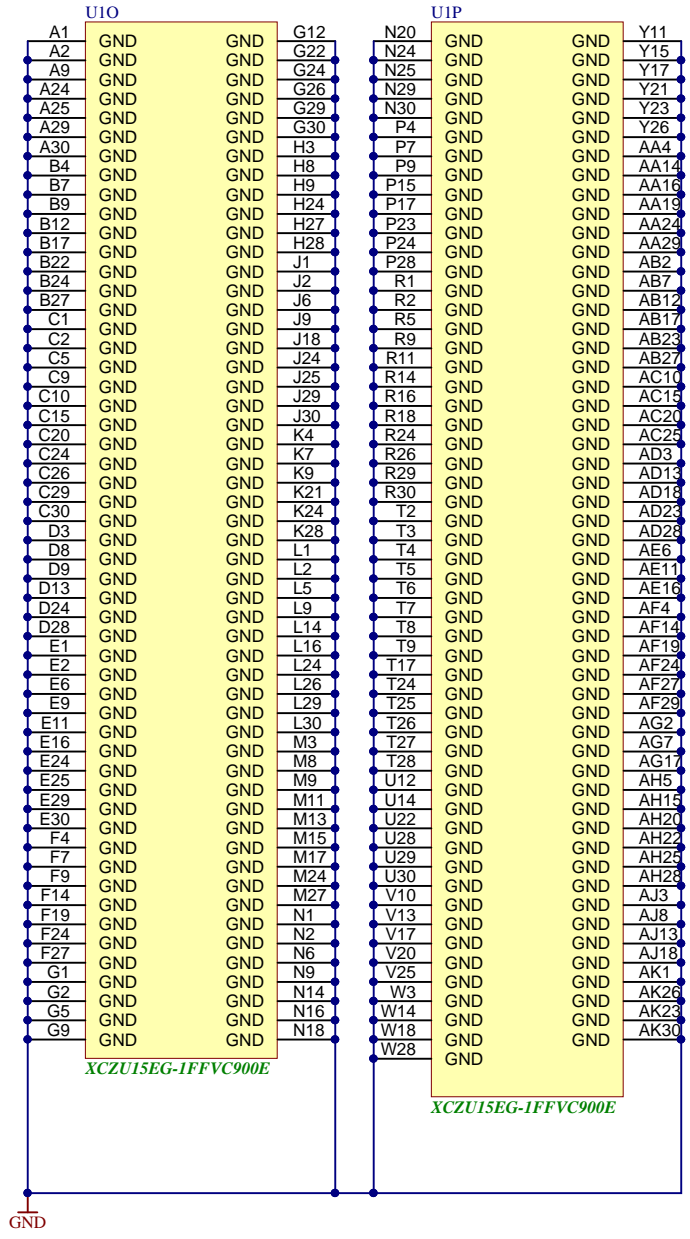
2

3

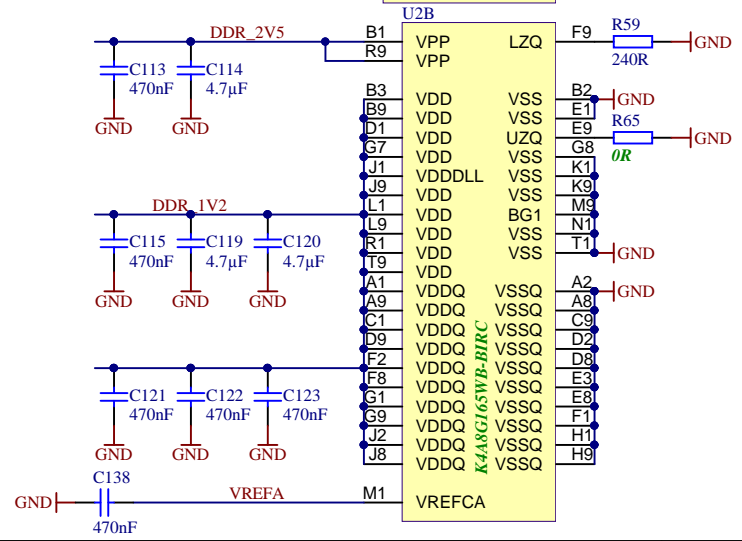
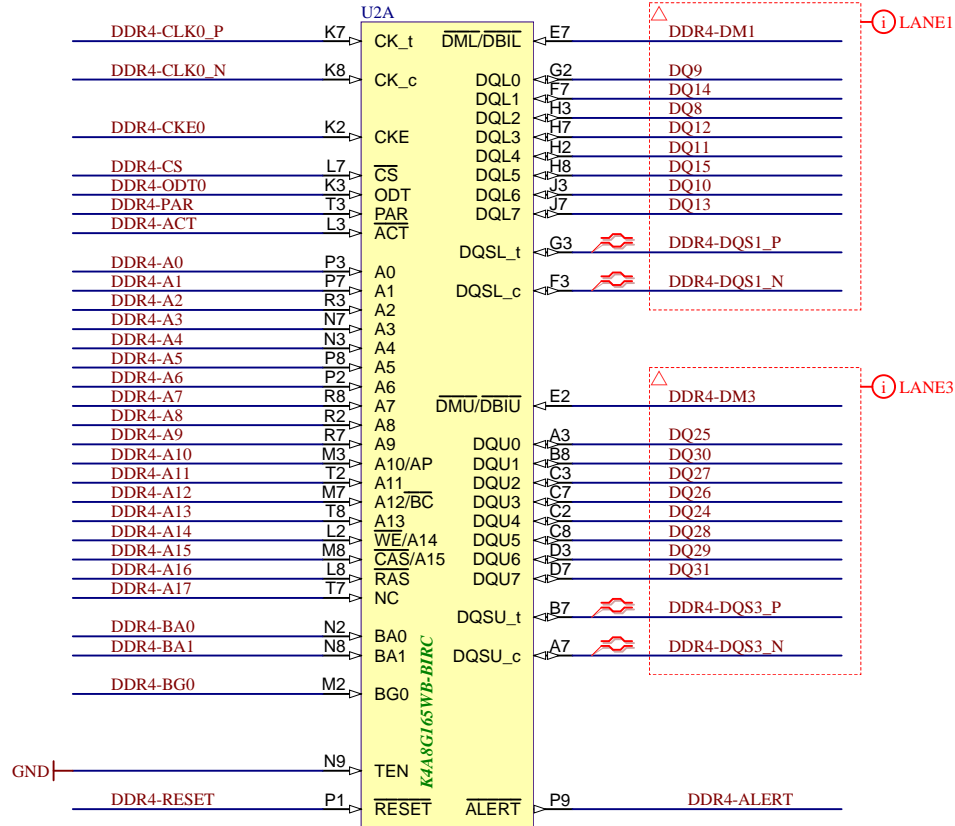

4



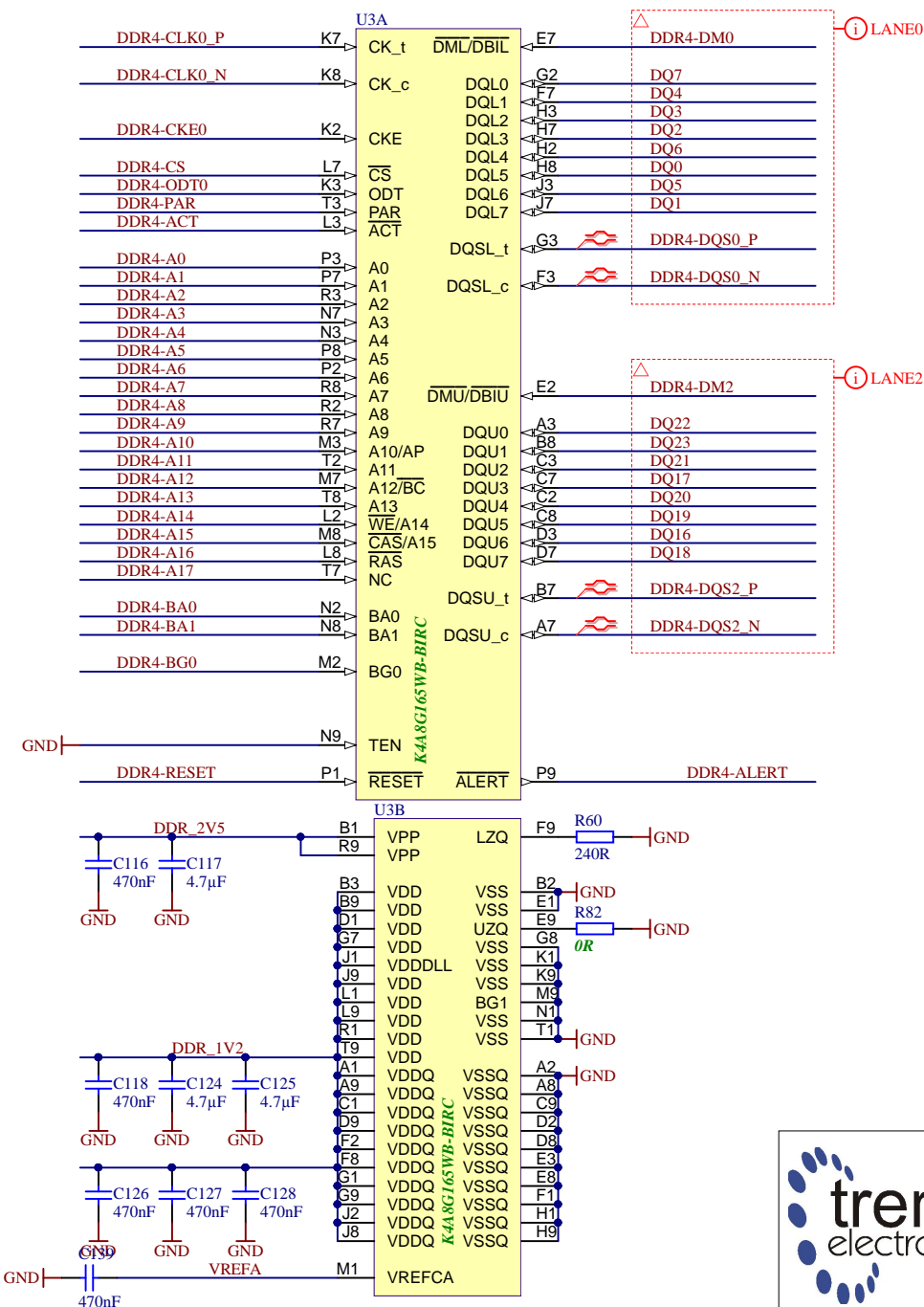
		Title: TE0808 - ZU_PS_POWER	
		A4	Number: TE0808 BBE21-A
Date: 13.08.2017		Copyright: Trenz Electronic GmbH / TT	
Date: 13.08.2017		Page 16 of 28	
Filename: ZU_PS_POWER.SchDoc			



Title: TE0808 - ZU_POWER		
A4	Number: TE0808 BBE21-A	Rev. 04
Date: 13.08.2017	Copyright: Trenz Electronic GmbH / TT	Page 17 of 28
Filename: ZU_POWER.SchDoc		

Title: TE0808 - DDR4_1_RAM		
A4	Number: TE0808 BBE21-A	Rev. 04
Date: 13.08.2017	Copyright: Trenz Electronic GmbH / TT	Page 18 of 28
Filename: DDR4-RAM.SchDoc		



Title: TE0808 - DDR4_2_RAM		
A4	Number: TE0808 BBE21-A	Rev. 04
Date: 13.08.2017	Copyright: Trenz Electronic GmbH / TT	Page 19 of 28
Filename: DDR4-RAM_2.SchDoc		

1

2

3

4

A

A

B

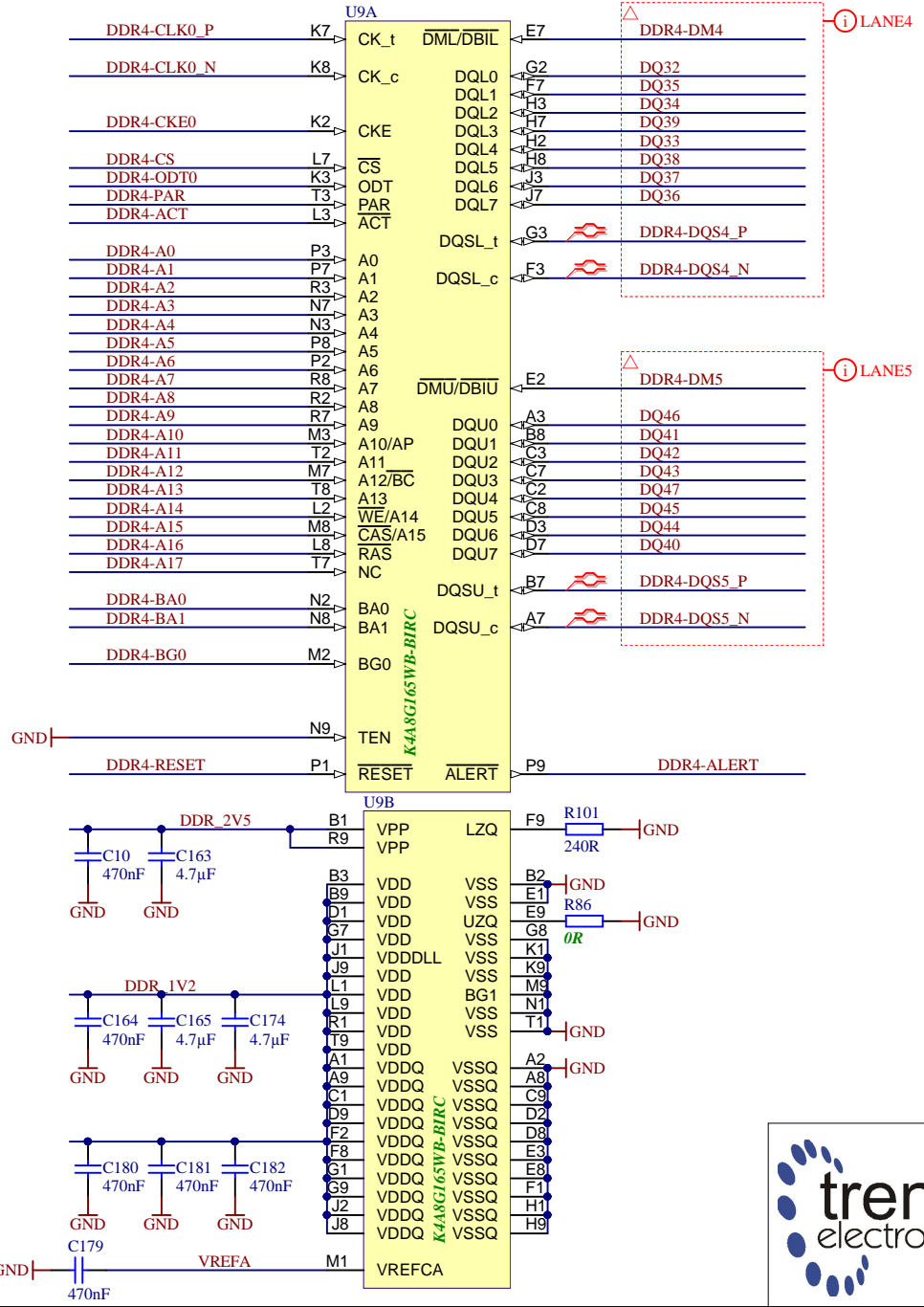

B

C

C

D

D

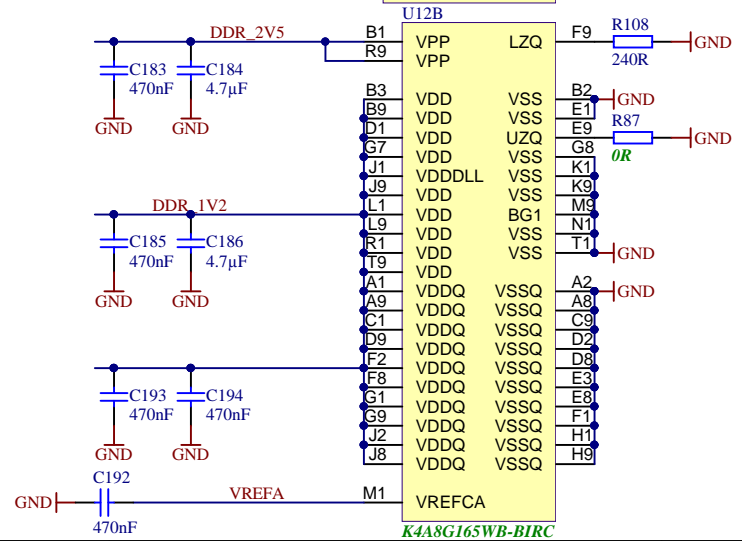
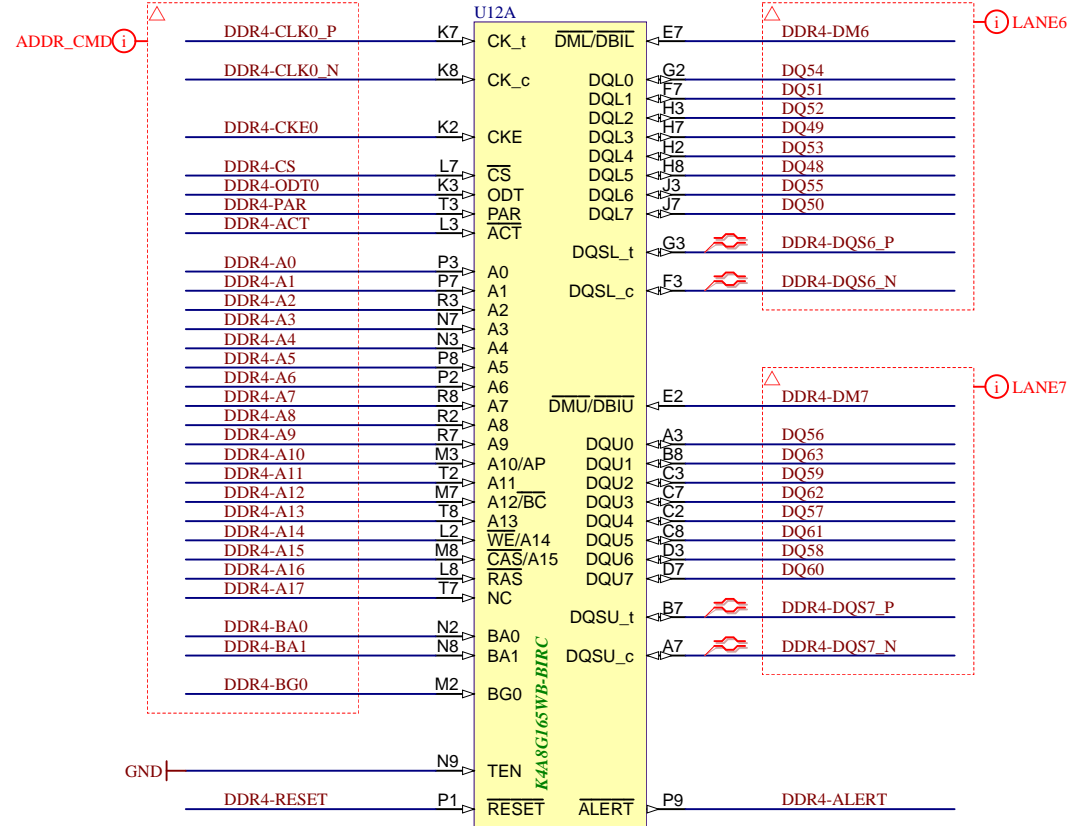
Title: TE0808 - DDR4_3_RAM		
A4	Number: TE0808 BBE21-A	Rev. 04
Date: 13.08.2017	Copyright: Trenz Electronic GmbH / TT	Page20 of 28
Filename: DDR4-RAM_3.SchDoc		

1

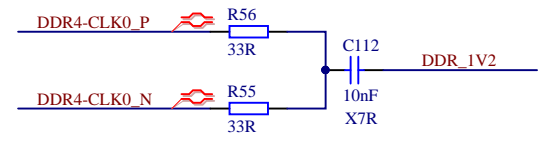
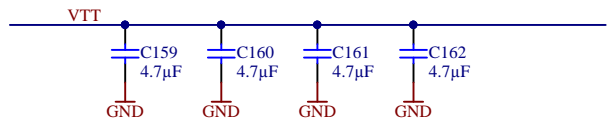
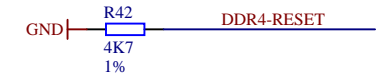
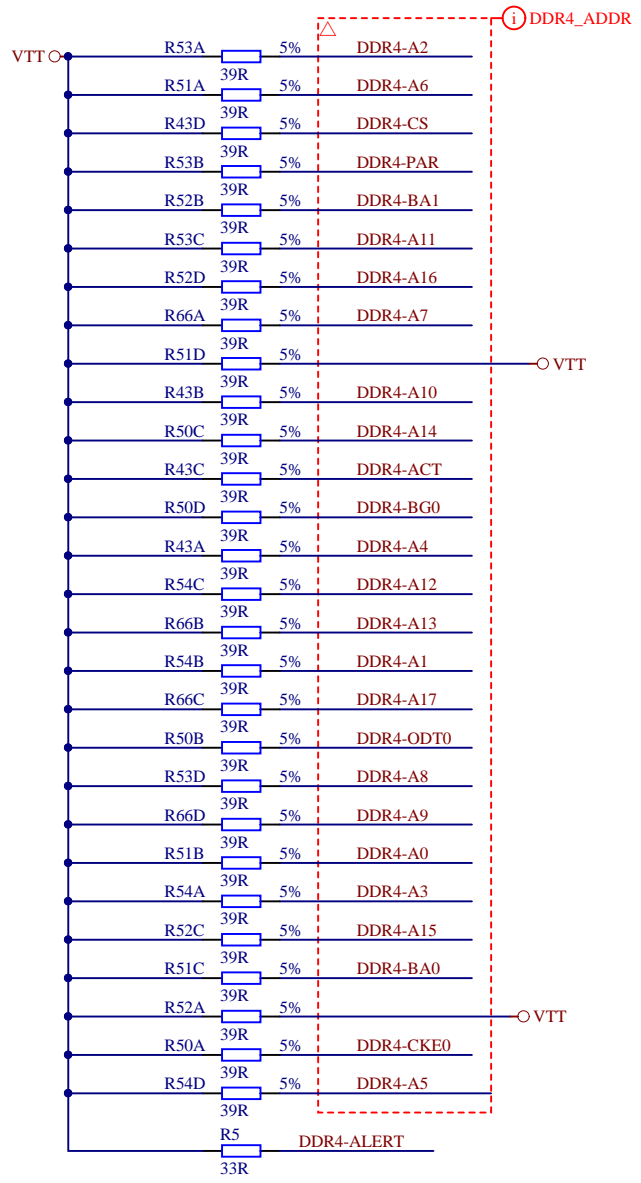
2

3

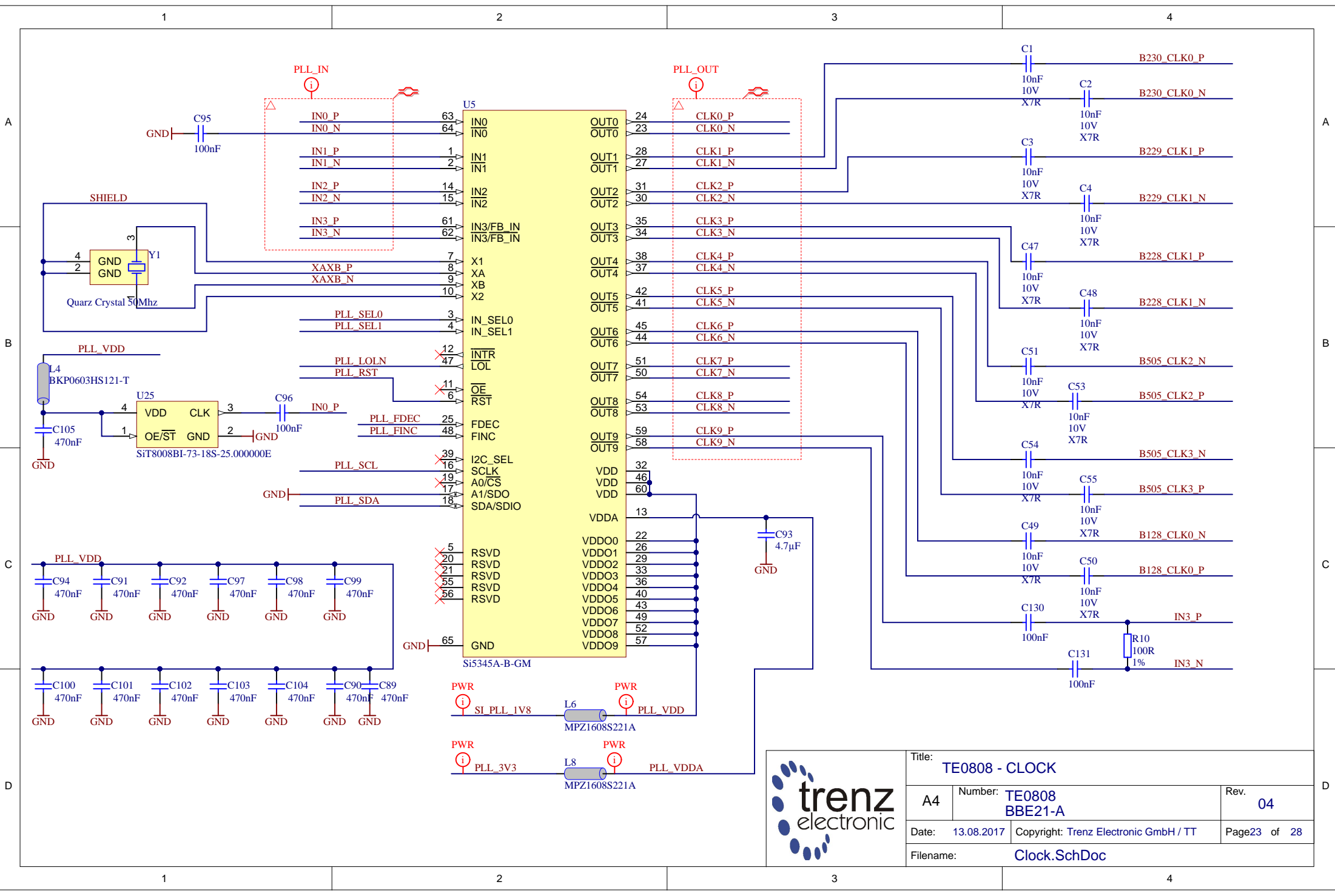
4



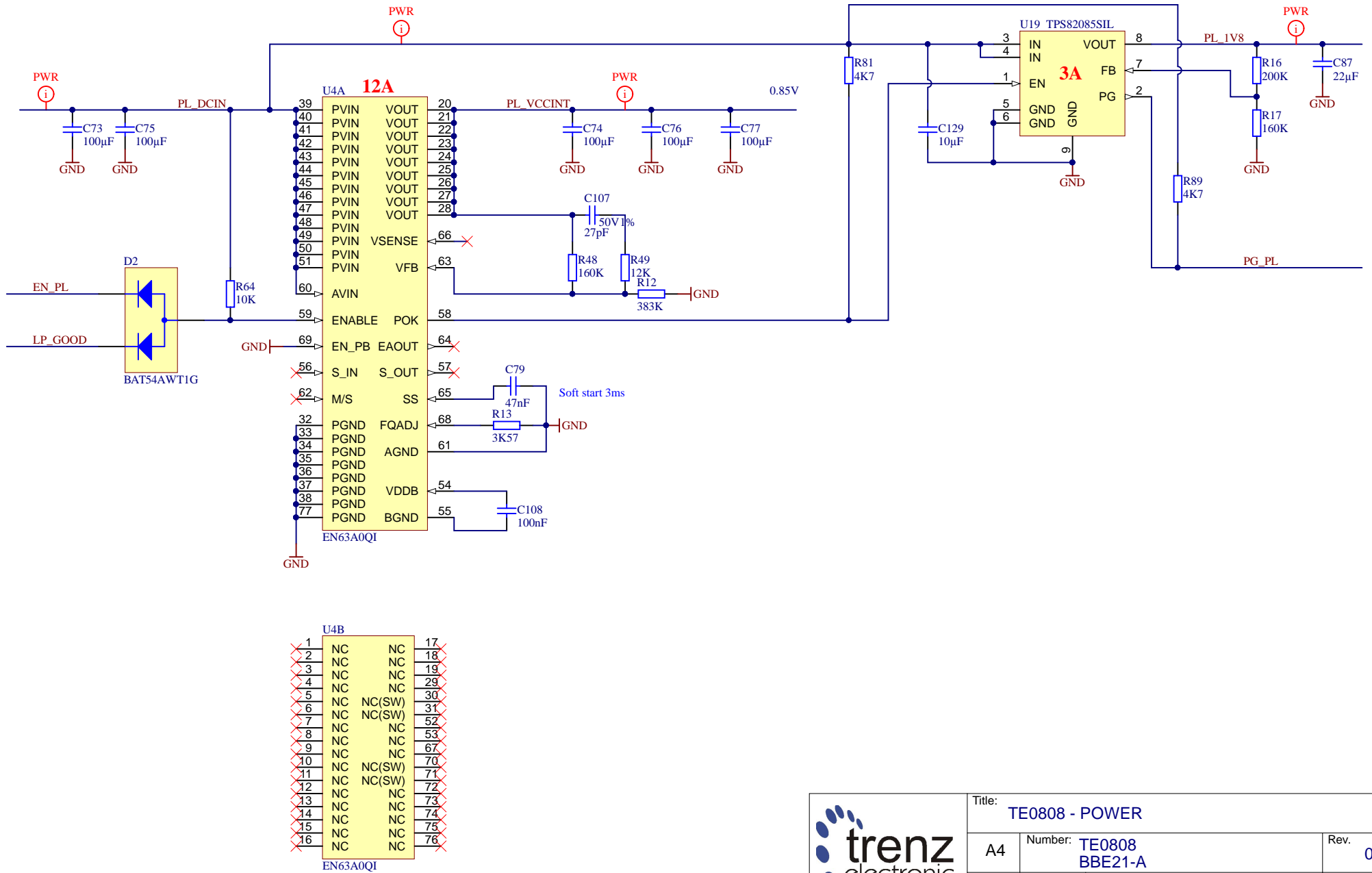
Title: TE0808 - DDR4_4_RAM		
A4	Number: TE0808 BBE21-A	Rev. 04
Date: 13.08.2017	Copyright: Trenz Electronic GmbH / TT	Page21 of 28
Filename: DDR4-RAM_4.SchDoc		




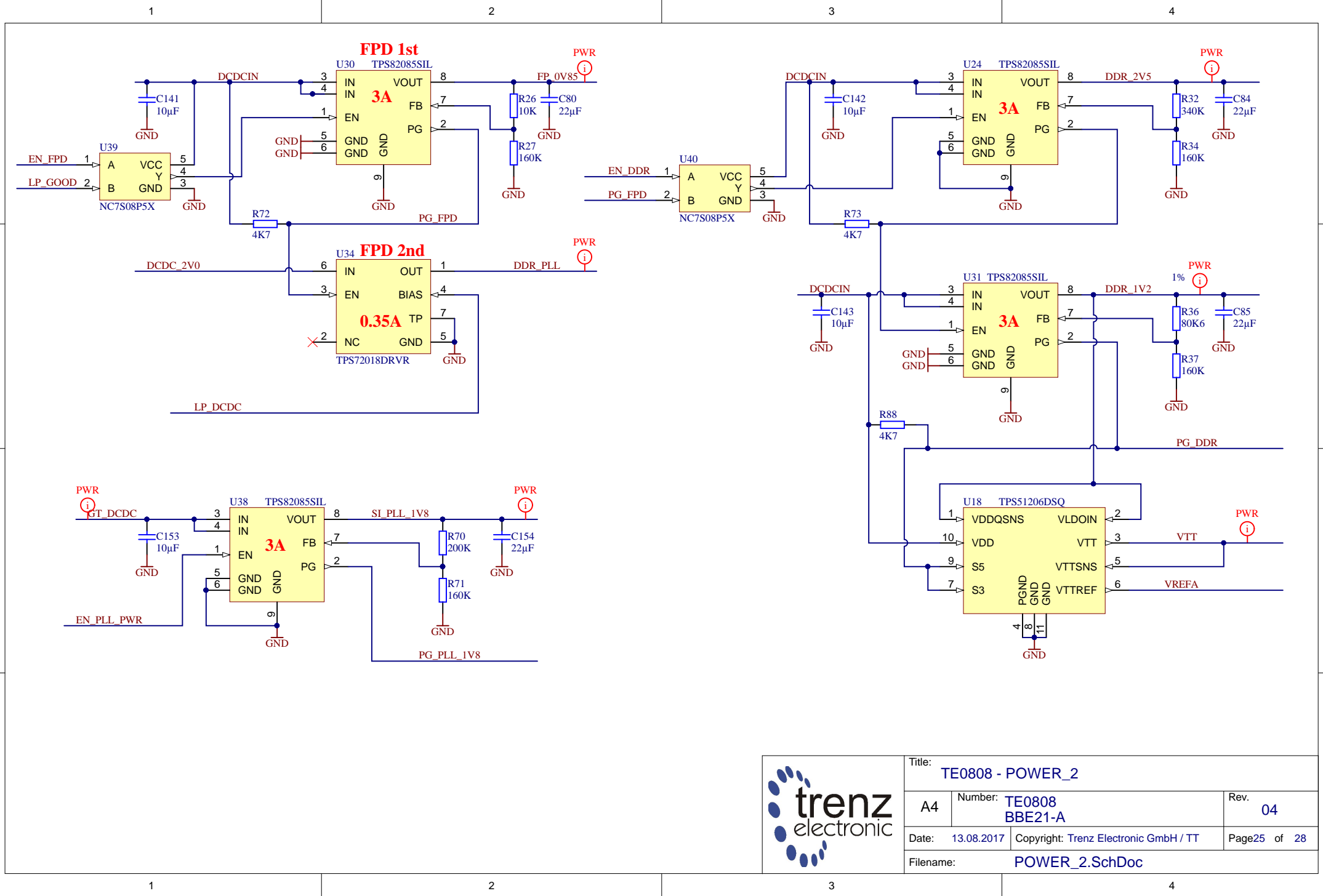
Title: TE0808 - DDR4_TERM		
A4	Number: TE0808 BBE21-A	Rev. 04
Date: 13.08.2017	Copyright: Trenz Electronic GmbH / TT	Page 22 of 28
Filename: DDR4-TERM.SchDoc		




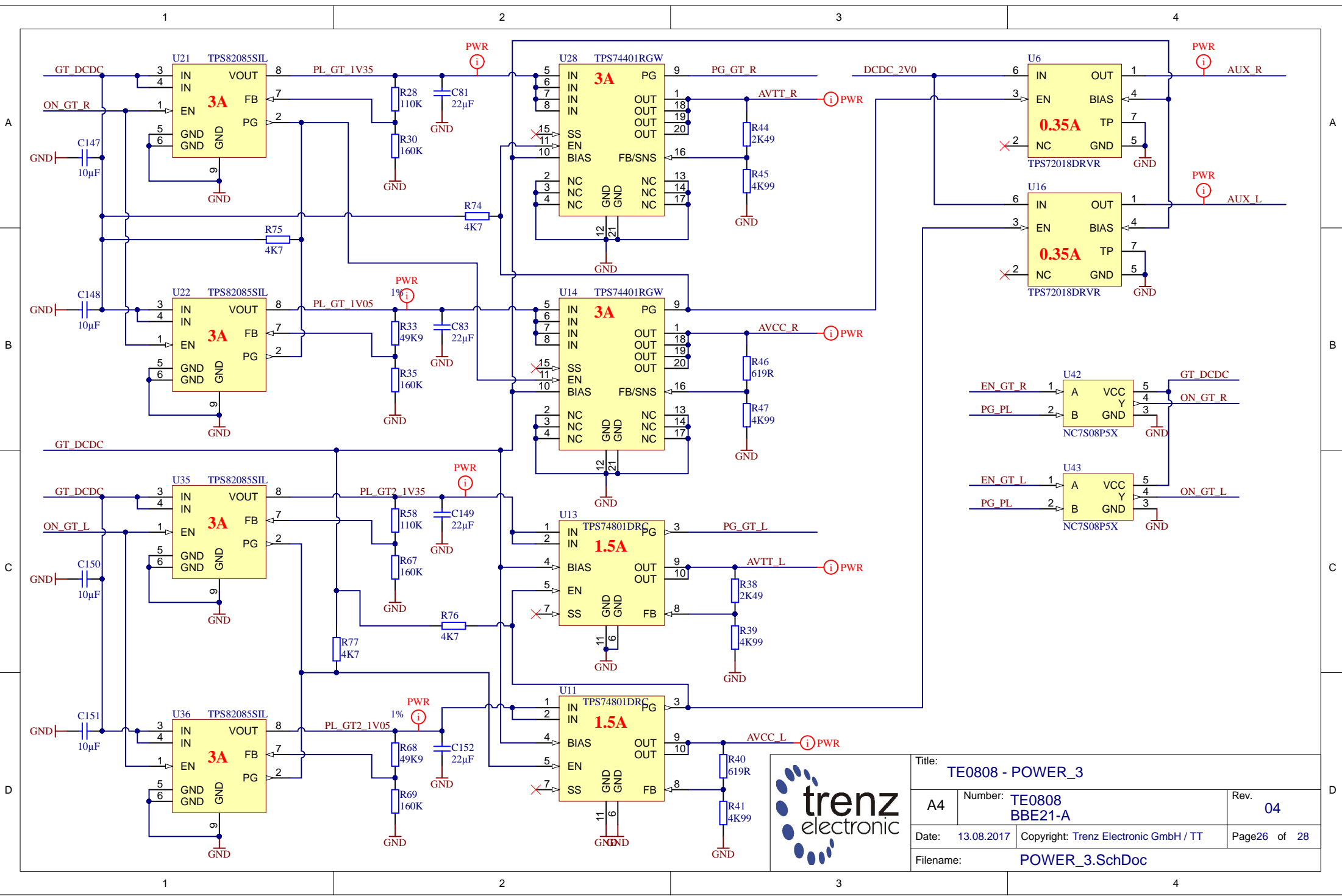
Title: TE0808 - CLOCK		
A4	Number: TE0808 BBE21-A	Rev. 04
Date: 13.08.2017	Copyright: Trenz Electronic GmbH / TT	Page 23 of 28
Filename: Clock.SchDoc		



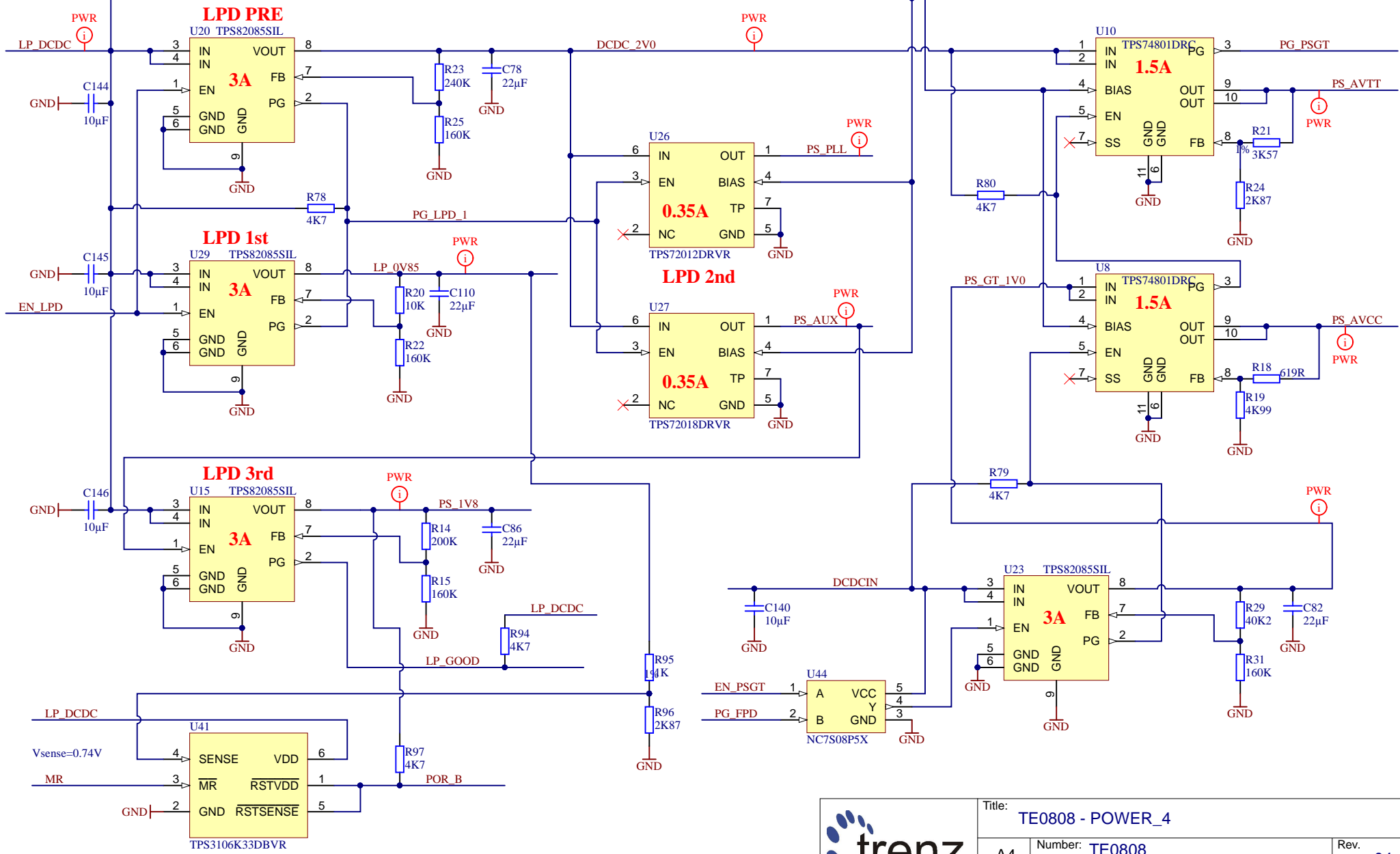
			Title: TE0808 - POWER	
			A4	Number: TE0808 BBE21-A
Date: 13.08.2017		Copyright: Trenz Electronic GmbH / TT		Page 24 of 28
Filename: POWER.SchDoc				




		Title: TE0808 - POWER_2	
		A4	Number: TE0808 BBE21-A
Date: 13.08.2017		Copyright: Trenz Electronic GmbH / TT	
Filename: POWER_2.SchDoc		Page 25 of 28	



Title: TE0808 - POWER_3		
A4	Number: TE0808 BBE21-A	Rev. 04
Date: 13.08.2017	Copyright: Trenz Electronic GmbH / TT	Page 26 of 28
Filename: POWER_3.SchDoc		



			Title: TE0808 - POWER_4	
			A4	Number: TE0808 BBE21-A
Date: 13.08.2017		Copyright: Trenz Electronic GmbH / TT		Page 27 of 28
Filename: POWER_4.SchDoc				

1

2

3

4

CHANGES REV03 to REV04

- 1) added resistors R65,R82,R86,R87 (240R) for each DDR4-chip for supporting DDP DDR4 chips
- 2) full update lib

A

A

B


B

C

C

D

D

	Title: TE0808 - Changes list		
	A4	Number: TE0808 BBE21-A	Rev. 04
	Date: 13.08.2017	Copyright: Trenz Electronic GmbH	Page 28 of 28
	Filename: Revision_Changes.SchDoc		

1

2

3

4