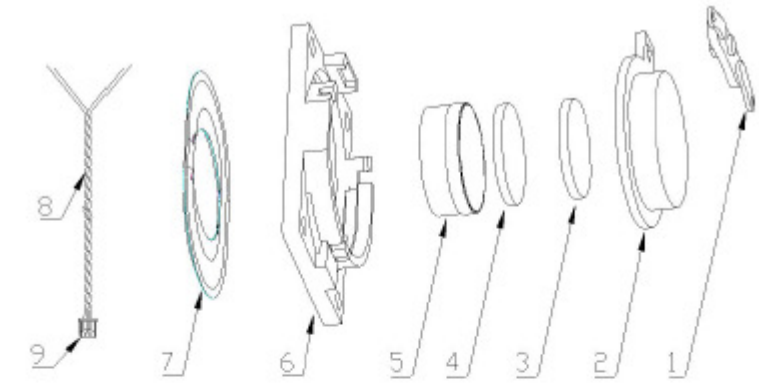
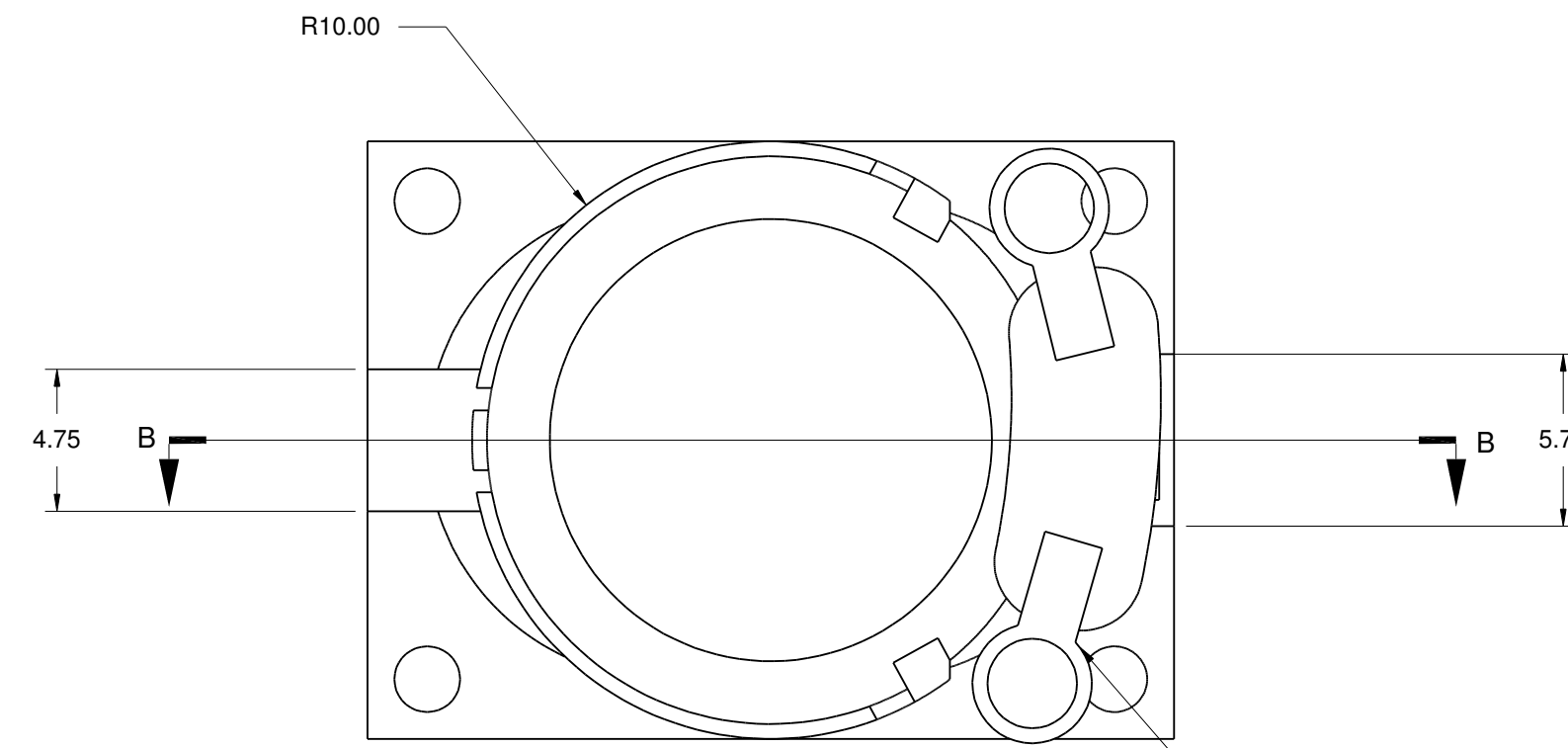
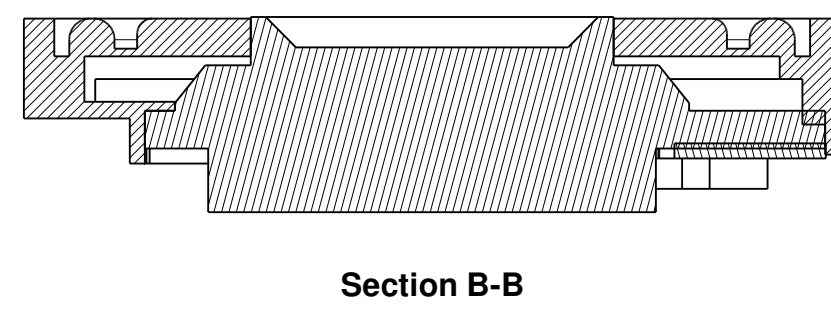
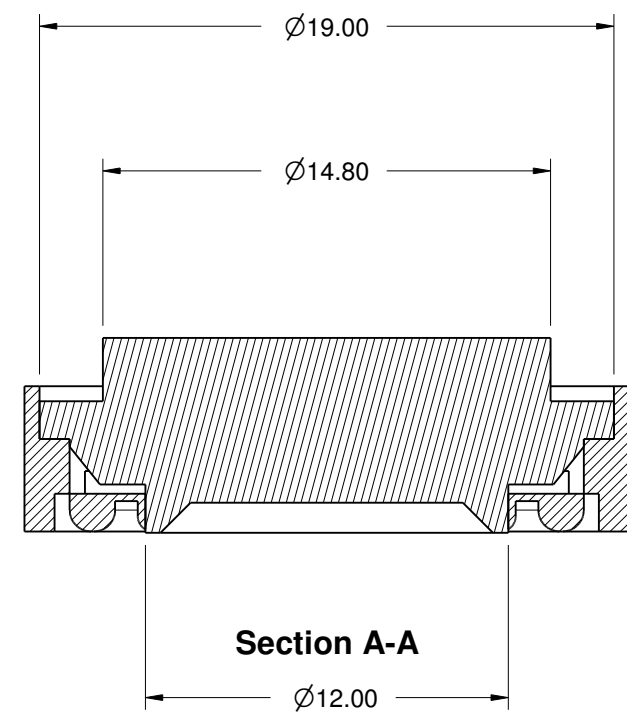


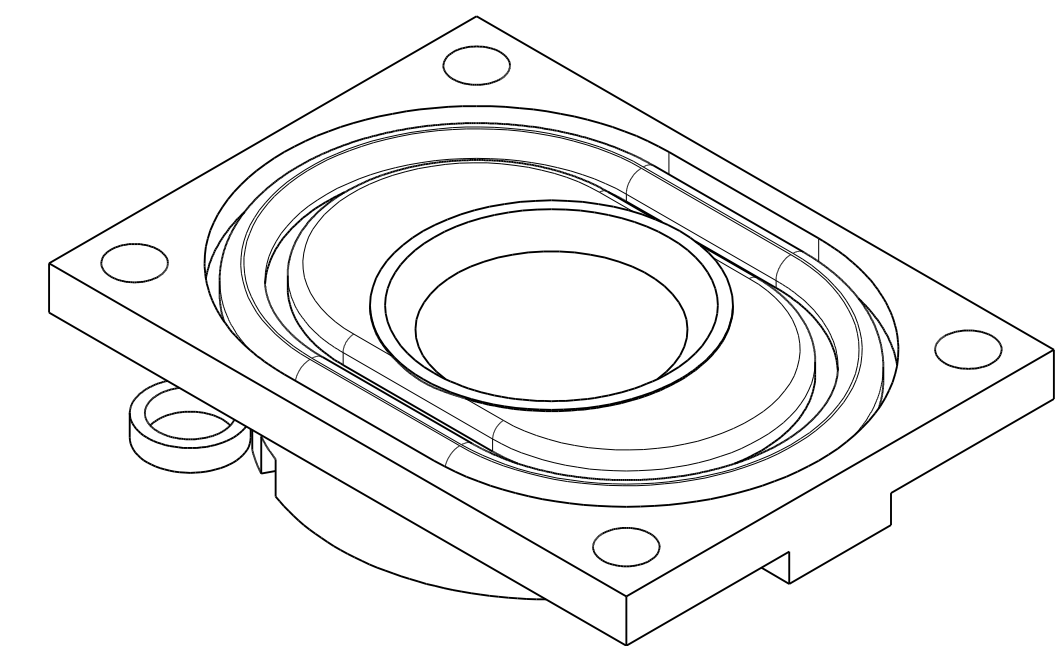
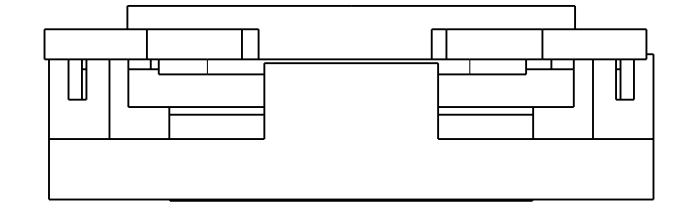
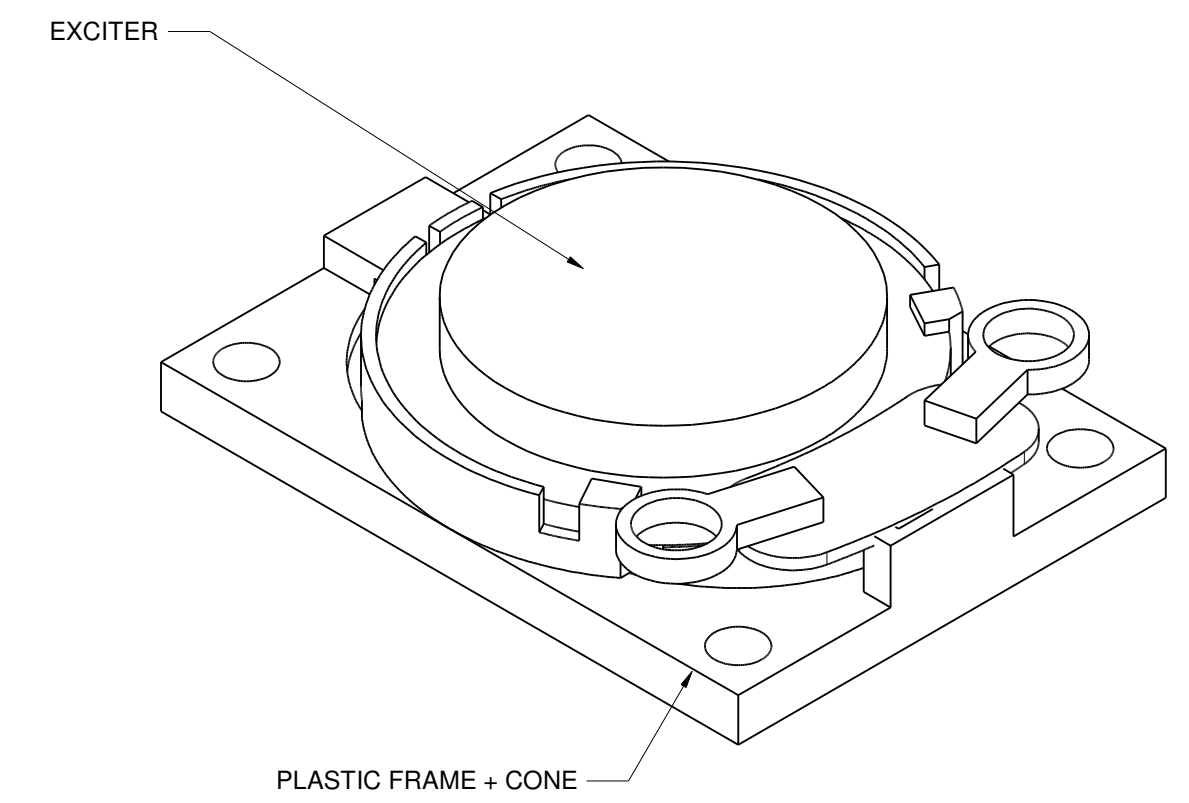
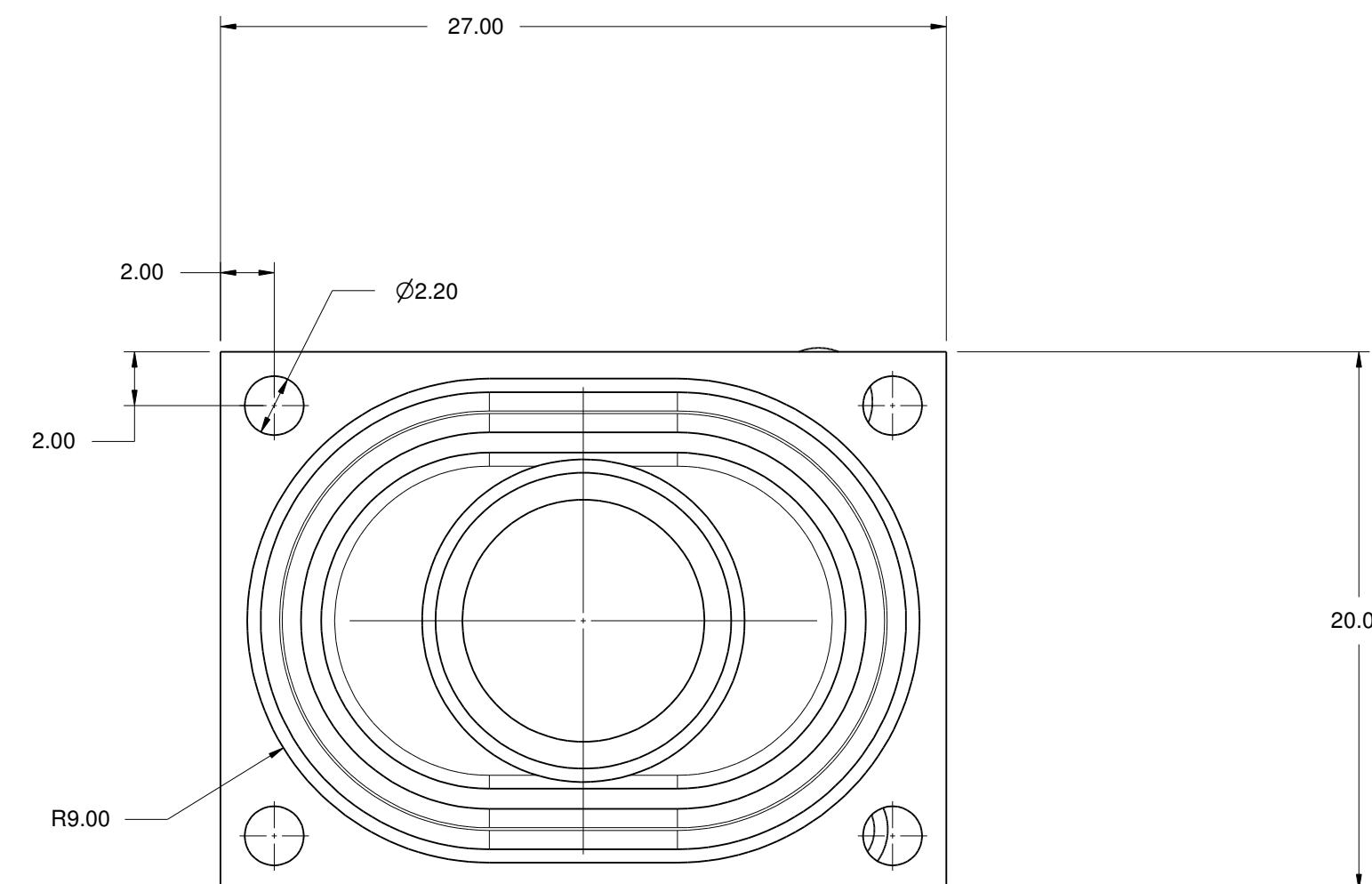
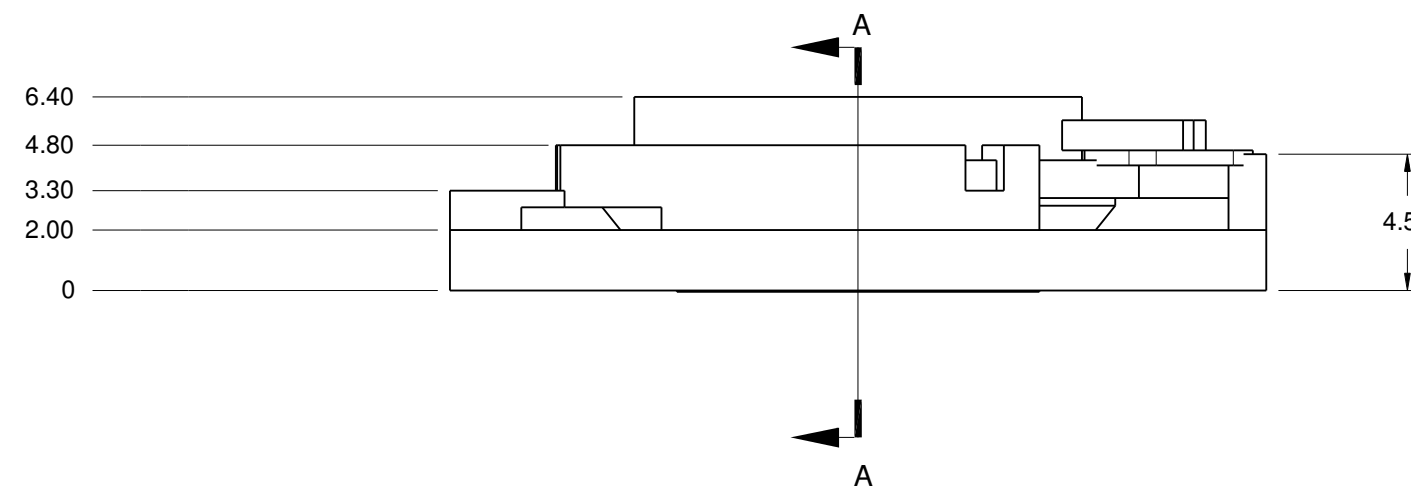
REVISIONS				
ZONE	REV	DESCRIPTION	DATE	APPROVED



No.	Part Name	Material	Quantity
1	PCB Terminal	Paper + Cu	1
2	Yoke	SPCC	1
3	Magnet	Nd Fe B	1
4	Plate	SPCC	1
5	Voice Coil	Paper + Cu	1
6	Frame	Plastic	1
7	Diaphragm	Cloth	1
8	Wire (70mm)	UL1571/AWG28#	2
9	Connector	ZJTA1251H00-2P	1



70+/-5MM LONG UL1571 AWG28# WIRES
WITH ZJTA1251H00-2P CONNECTOR NOT SHOWN



ALL TOLERANCES +/- .5MM UNLESS NOTED



SIZE D	FSCM NO.	DWG NO. SP-2027NW	REV
SCALE 1:1	SHEET 1 OF 1		