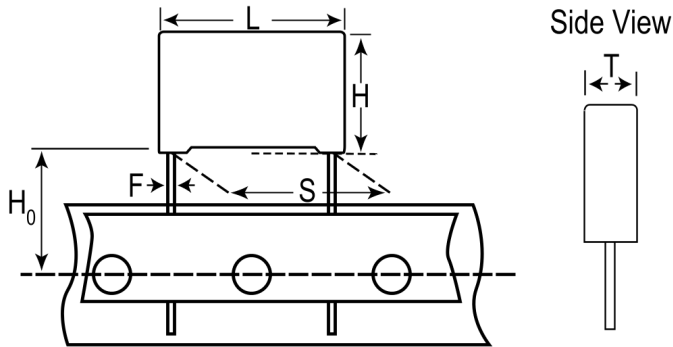


R75ID3120DQ30J

Aliases (75ID3120DQ30J)

R75, Film, Metallized Polypropylene, Automotive Grade, 0.12 uF, 5%, 250 VDC, 85°C, Lead Spacing = 7.5mm



Click [here](#) for the 3D model.

Dimensions

L	10.5mm +0.2/-0.5mm
H	12mm +0.1/-0.5mm
T	6mm +0.1/-0.5mm
S	7.5mm +/-0.4mm
H0	18.5mm +/-0.5mm
F	0.5mm +/-0.05mm

Packaging Specifications

Packaging	Ammo, 360x340x59mm, Box
Packaging Quantity	1350

General Information

Series	R75
Dielectric	Metallized Polypropylene
Style	Radial
Features	Automotive Grade, Pulse
RoHS	Yes
Lead	Wire Leads
Qualifications	AEC-Q200
AEC-Q200	Yes
Miscellaneous	Above 85C DC And AC Voltage Derating Is 1.25%/C.

Specifications

Capacitance	0.12 uF
Capacitance Tolerance	5%
Voltage AC	160 VAC
Voltage DC	250 VDC
Temperature Range	-55/+105°C
Rated Temperature	85°C
Dissipation Factor	0.05% 1kHz, 0.08% 10kHz
Insulation Resistance	100 GOhms
Max dV/dt	650 V/us
Resistance	9.3 mOhms (100kHz)
Ripple Current	5.57 Amps (100kHz 85C), 78 Amps (Peak)
Inductance	8 nH