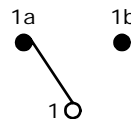


RECOMMENDED PANEL MOUNTING

PANEL THICKNESS	X
0.75-1.25	19.20-19.30
1.25-2.00	19.30-19.40
2.00-3.00	19.50-19.60

SWITCH FUNCTION		
POS. 1	POS. 2	POS. 3
ON	OFF	(ON)
1-1b	NONE	1-1a

MOMENTARY=(ON)



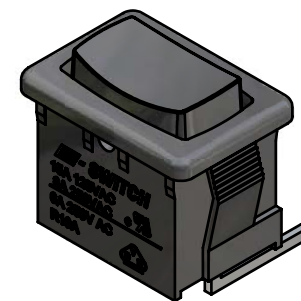
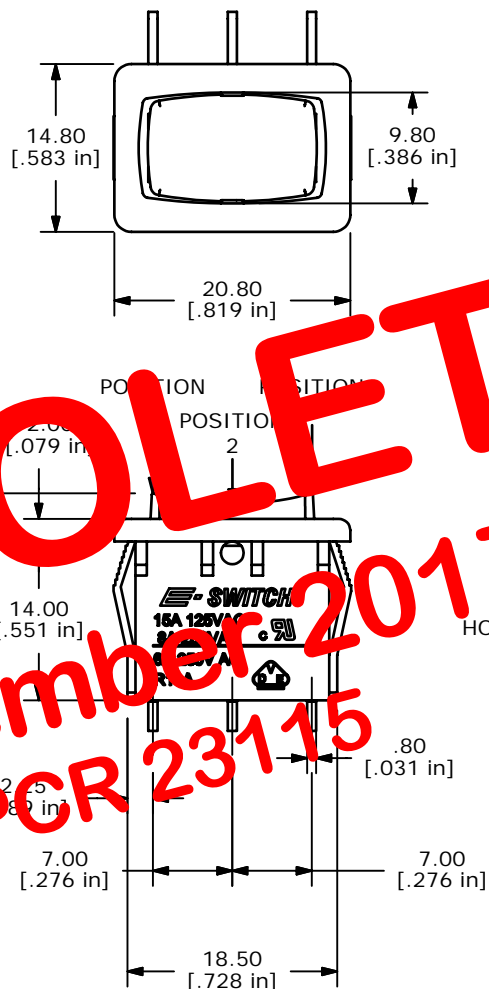
CURCUIT: SPDT

NOTES:

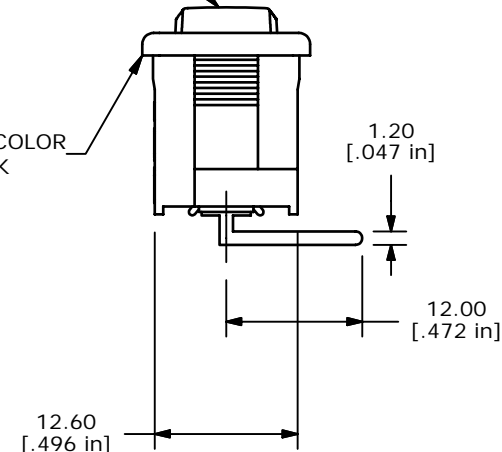
- ALL DIMENSIONS IN MM [INCH]
- GENERAL TOLERANCE: X.X=±0.4  
X.XX=±0.25
- TERM. NOS. FOR REF. ONLY
- RATING: 15A @125VAC;  
8A @250VAC.
- ▲ LAMP VOLTAGE: NO LAMP
- MATERIAL:  
CONTACT SURFACE: SILVER ALLOY  
TERMINAL: COPPER ALLOY w/SILVER PLATE
- ELECTRICAL LIFE: 10,000 CYCLES
- CONTACT RESISTANCE: <20 MILLI-OHMS INITIAL
- DIELECTRIC STRENGTH: >1,500V AC 1 MIN
- ▲ DENOTES CRITICAL PARAMETER.
- 2002/95/EC (ROHS) COMPLIANT

PC MOUNTING

OBSOLETE  
November 2017  
PCR 23115



HOUSING COLOR BLACK



**E-SWITCH®**

B	16077	EDIT TERMINALS AND SWITCH FUNCTION	6/1/2006	CT
A	15966	RELEASED FOR PRODUCTION	4/18/06	CT
REV	PCR NO	DESCRIPTION	DATE	BY

TITLE R1966HBLKBLKEL				
SCALE	DATE	DR	DWG	REV
1.5:1	4/18/2006	CT	M301241	B

THE INFORMATION CONTAINED IN THIS DOCUMENT IS PROPRIETARY TO E-SWITCH AND IS NOT TO BE COPIED OR TRANSFERRED