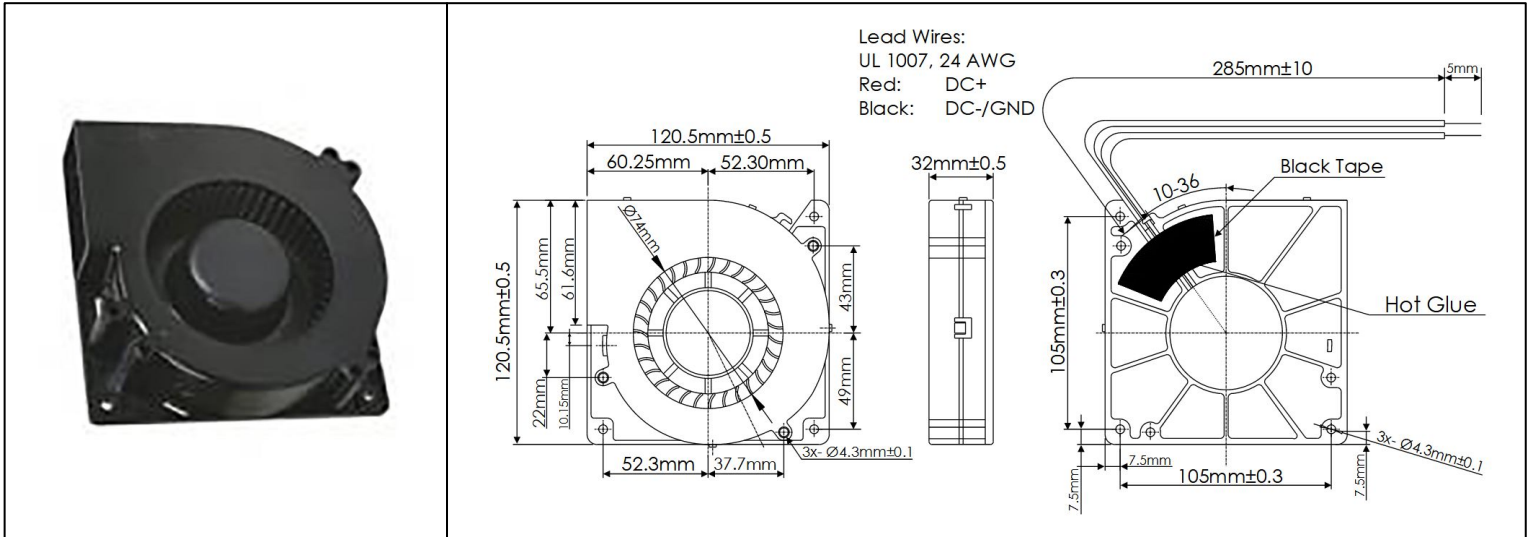


ODB1232 Series



DC Blowers - 12, 24V
120mm x 32mm (4.7" x 1.3")



Frame	PBT, UL94 V-0 Plastic	<u>Operating Temperature</u> -10°C ~ +70°C <u>Storage Temperature</u> -40°C ~ +70°C <u>Life Expectancy</u> 70,000 Hours (L10 at 40°C) <u>Available Options</u> 48V Models PWM Speed Control Input Tachometer Output Alarm Output Weight: 0.55 lbs
Impeller	PBT, UL94 V-0 Plastic	
Connection	2x Lead Wires, 24 AWG	
Motor	Brushless DC, Auto Cutoff, Auto Restart, Electronically Protected, Polarity Protected	
Bearing System	Ball Bearings	
Dielectric Strength	500VDC/min, <1mA	
Insulation Resistance	≥10M Ohm @ 500 VDC	

Static Pressure ("H₂O)

Airflow (CFM)

Part Number	Rated Voltage (Volts DC)	Voltage Range (Volts DC)	Rated Current (Amps)	Rated Power (Watts)	Rated Speed (RPM)	Max Airflow (CFM)	Noise Level (dBA)	Max Static Pressure ("H ₂ O)
ODB1232-12HB	12	8 ~ 13.8	10.7	0.89	2600	29.6	53.4	1.0
ODB1232-12MB	12	8 ~ 13.8	6.7	0.56	2300	25.8	48.1	0.6
ODB1232-12LB	12	8 ~ 13.8	5.4	0.45	2100	23.7	49.8	0.5
ODB1232-24HHB	24	14 ~ 26.4	17.0	0.71	3100	32.3	59.7	1.4
ODB1232-24HB	24	14 ~ 26.4	11.8	0.49	2600	29.6	53.4	1.0
ODB1232-24MB	24	14 ~ 26.4	9.4	0.39	2300	25.8	48.1	0.6
ODB1232-24LB	24	14 ~ 26.4	7.2	0.30	2100	23.7	49.8	0.5