

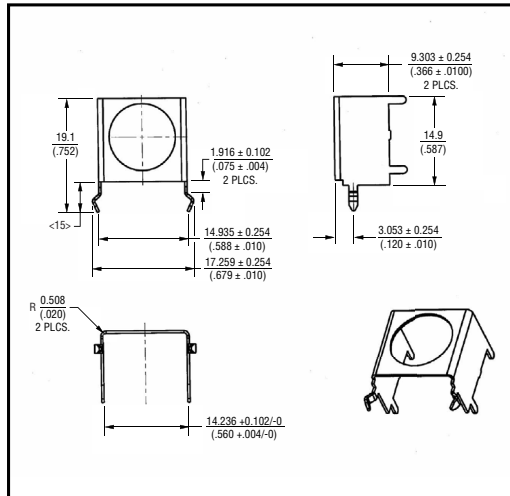
Bracket for Select Bourns® Model EM14 Series 14 mm Rotary Optical Encoders with Switch to be Discontinued

Riverside, California – September, 21, 2021 – The Bourns® [Model EM14 Series 14 mm Rotary Optical Encoder](#) is sold in three main configurations: alone with no bracket; with a side adjust bracket; and with a top adjust bracket. In accordance with our ongoing product lifecycle management procedure, Bourns will transfer the Model EM14 Series 14 mm Rotary Optical Encoders with side adjust bracket to an End of Product Life status on March 15, 2022. A lack of sales volume and diminishing demand necessitates this action. The affected part numbers are listed below.

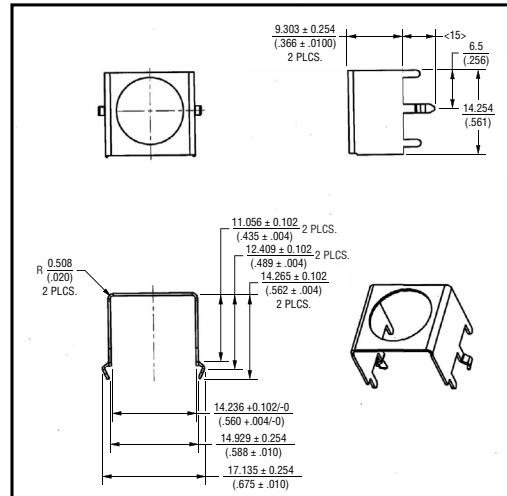
Bourns will continue to offer the Model EM14 Series 14 mm Rotary Optical Encoder alone and with the top adjust bracket option under part number 03168219901.

Affected Part Number		
EM14A0B-B28-R064N	EM14A1B-C24-R008N	EM14R0B-R20-R064S

Obsolete Part (Side Adjust)



Available Part (Top Adjust)



Regrettably, no replacement part numbers are available at this time. Orders for these discontinued part numbers during this End of Product Life transition period will be considered noncancellable. Products purchased during this End of Product Life transition period will be considered nonreturnable and will be covered by Bourns' standard warranty.

Please plan for the following deadlines:

Last time buy date: **March 15, 2022**

Last time ship date: **September 15, 2022**

If you have any questions or need additional information, please feel free to [contact Customer Service/Inside Sales](#).

SC2131