

## SUMMARY



Image is for illustrative purpose only

### # Wires

Low voltage 10

Series 2B  
Termination type Female crimp  
IP rating 50  
AWG wire size 24.00 - 20.00  
Cable Ø 0.00 - 0.00 mm  
Status active  
Matching parts [FGB.2B.310.CYCD82](#)

### Download

[Request a quote](#)  
[Eplan](#)  
[Catalog](#)

## TECHNICAL DETAILS

### Mechanics

Shell Style/Model EE\*: Fixed receptacle, nut fixing (back panel mounting)  
Keying 2 keys (alpha=45, plug: male contacts, receptacle: female contacts)  
Housing Material Brass (chrome plated [SAE AMS 2460]) shell and collet nut, nickel plated [SAE AMS QQ N 290] brass latch sleeve and mid pieces  
Weight 17.56 g

### Performance

Configuration 2B.310 : 10 Low Voltage  
Insulator Y: PEEK for crimp contacts  
Rated Current 8 Amps

### Specifications

Contact Type: Crimp  
Contact Retention: 30 N  
Contact Dia.: 0.9 mm (0.035in)  
Bucket Dia.: 1.1 mm (0.043in)  
Min. Conductor: 0.25 mm<sup>2</sup> (AWG 24)  
Max. Conductor: 0.5 mm<sup>2</sup> (AWG 20)  
R (max): 4.8 mOhm  
Vtest (contact-shell): 2100 V (AC), 2970 V (DC)

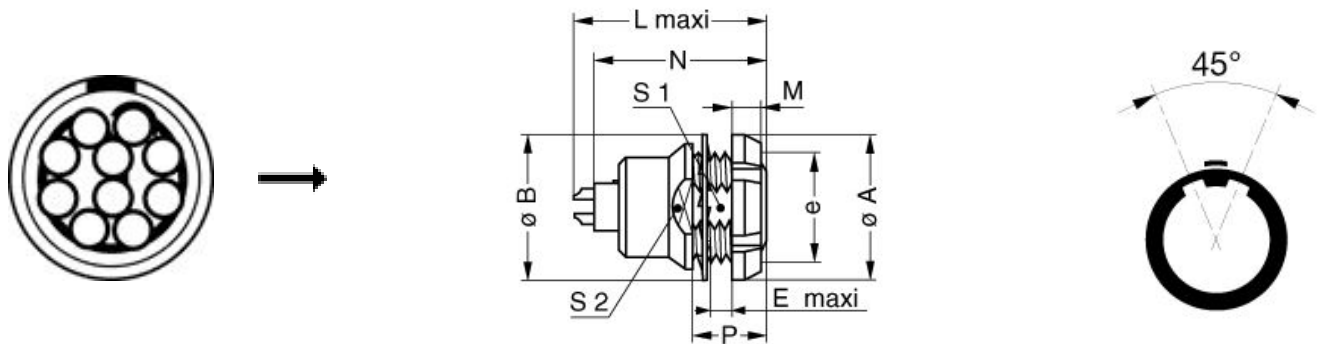
LEMO products and services are provided "as is". LEMO makes no warranties or representations with regard to LEMO product & services or use of them, express, implied or statutory, including for accuracy, completeness, or security. The user is fully responsible for his products and applications using LEMO components.

Vtest (contact-contact): 1800 V (AC), 2550 V (DC)

## Others

Endurance (Shell): 5000  
Temp (min / max): -55°C / +250°C  
Humidity (max): ≤95% [at 60 deg C / 140 F]  
Vibration: 15 g [10 Hz - 2000 Hz]  
Shock Resistance: 100 g [ 6 ms]  
Climatical Category: 50/175/21  
Shielding (min): 75 dB (10 MHz)  
Shielding (min): 40 dB (1 GHz)  
Salt Spray Corrosion: >1000 hr

## DRAWINGS



## Dimensions

|     | A    | B    | E    | L    | M    | N    | P    | S1   | S2   | e       |
|-----|------|------|------|------|------|------|------|------|------|---------|
| mm. | 20   | 20   | 4.3  | 26.7 | 3.5  | 24.6 | 9    | 13.5 | 15   | M15x1.0 |
| in. | 0,79 | 0,79 | 0,17 | 1,05 | 0,14 | 0,97 | 0,35 | 0,53 | 0,59 |         |

## RECOMMENDED BY LEMO

### Tools

LEMO products and services are provided "as is". LEMO makes no warranties or representations with regard to LEMO product & services or use of them, express, implied or statutory, including for accuracy, completeness, or security. The user is fully responsible for his products and applications using LEMO components.

Crimp Tool: [DPC.91.701.V](#)  
 Crimp settings: AWG/Selector = 20-22-24/6-5-5  
 Positionner: [DCE.91.092.BVM](#)  
 Extractor: [DCC.09.05B.LAG](#)  
 Replacement contact: EGG.2B.660.ZZM  
 Spanner wrench: [Socket for torque wrench DCM.65.170.AZ and DCM.2S.M15.6](#)

## Cables

|                    |               |       |   |
|--------------------|---------------|-------|---|
| CMN.10.T20.080PGZE |               | Grey  |    |
| CMN.10.T20.080PNZE |               |       |    |
| CMN.10.T20.080QGC  | TPR           | Grey  |   |
| CMN.10.T22.068QGZE | TPR (medical) | Grey  |    |
| CMN.10.T28.052PGZE |               | Grey  |    |
| CMN.10.T28.052PNZE |               |       |    |
| CMN.10.T28.053QGZE | TPR (medical) | Grey  |    |
| 110220             | PVC           | Black |    |
| 110240             | PTFE          | White |    |
| 110260             | PTFE          | White |   |
| 110280             | PVC           | Black |  |
| 210140             | PVC           | Grey  |  |
| 210240             | PVC           | Black |  |
| 210250             | PVC           | Grey  |  |
| 210260             | PVC           | Black |  |

LEMO products and services are provided "as is". LEMO makes no warranties or representations with regard to LEMO product & services or use of them, express, implied or statutory, including for accuracy, completeness, or security. The user is fully responsible for his products and applications using LEMO components.