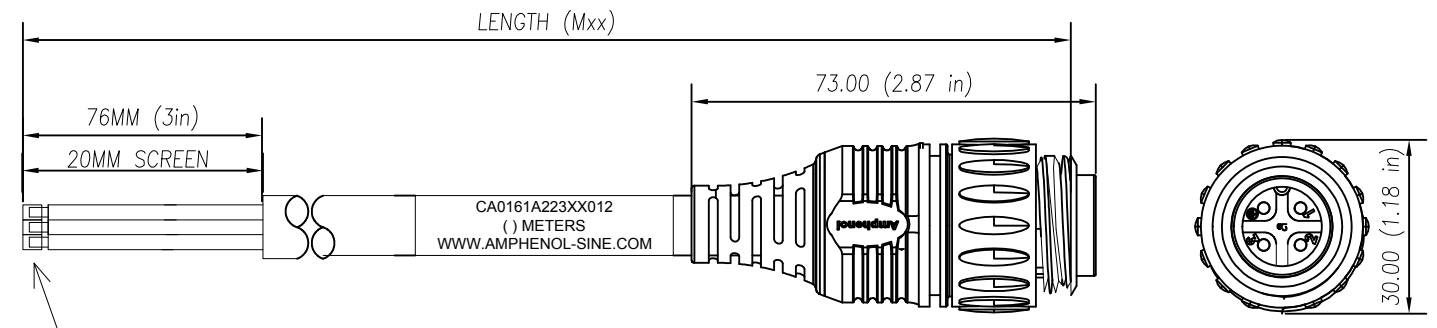
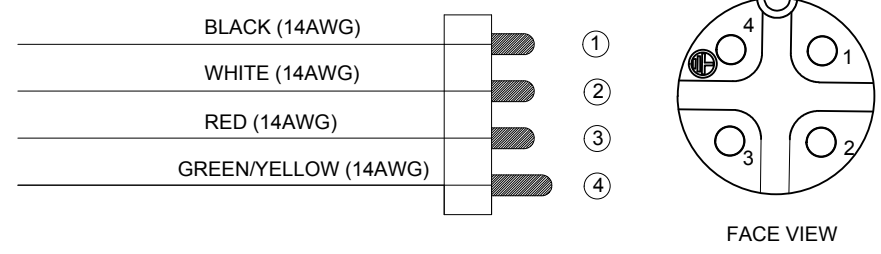


REVISIONS							
REV	ZONE	ECO	DESCRIPTION	DATE	BY	CHK	APPR
A1	-	-	TECHNICAL DATA SHEET RELEASE	14-JULY-2017	RO	-	-

Part Number	Length (Meters)
CA0161A22301012	1 (3.28 FEET)
CA0161A22302012	2 (6.56 FEET)
CA0161A22303012	3 (9.84 FEET)
CA0161A22305012	5 (16.40 FEET)
CA0161A22307012	7 (22.96 FEET)
CA0161A22310012	10 (32.80 FEET)
CA0161A22313012	13 (42.65 FEET)
CA0161A22315012	15 (49.21 FEET)



WIRING DIAGRAM



TECHNICAL DATA:

- 1) MATERIALS:  
 COUPLING NUT: NYLON PA 6.6  
 INSULATION INSERT: NYLON PA 6.6, UL 94/V-0  
 CONTACT: SILVER PLATED  
 OVERMOLD MATERIAL: THERMOPLASTIC COLOR: BLACK  
 CABLE RATING: UL LISTED: TC-ER PER UL 1277, MTW PER UL 1063, WTTC PER UL 2277, SUMERSIBLE  
 PUMP ATTRIBUTES LISTED: UL OIL RES I/II, 75°C WET; 90°C DRY, SUNLIGHT RESISTANT, DIRECT BURIAL, NFPA 79 2015  
 CABLE JACKET MATERIAL: PVC COLOR: BLACK  
 CONDUCTOR INSULATION: PVC  
 NUMBER OF CONDUCTORS: (4) 14AWG

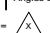
- 2) ELECTRICAL DATA:  
 CURRENT (MAX): 16A  
 VOLTAGE (MAX): 400V AC/DC  
 INSULATION RESISTANCE (MIN): 5000M OHMS  
 DIELECTRIC TEST VOLTAGE: 2200V

- 3) MECHANICAL DATA:  
 TEMPERATURE RANGE: -40°C TO +100°C  
 PROTECTION: IP68 (MATED CONDITION)  
 MATING CYCLES: >500

- 4) RoHS COMPLIANT

 Risk of Electrical Shock  
 Do Not Disconnect Under Load.  
 Risque de chocs électriques  
 Ne pas debrancher sous tension.  
 **WARNING**

TOLERANCE	
0-2.99 M = +100.0/-25.0mm	0-9.99 FT = +4" / -1"
3-8.99 M = +150.0/-25.0mm	10.00-29.99 FT = +6" / -1"
9-14.99 M = +300.0/-25.0mm	30.00-49.99 FT = +12" / -1"
15-OVER M = +450.0/-25.0mm	50 FT-OVER = +18" / -1"

QUANTITY	PART NUMBER	DESCRIPTION	ITEM
<b>MATERIALS LIST</b>			
<p>UNLESS OTHERWISE SPECIFIED</p> <p>1) All dimensions are in metric(mm).</p> <p>2) Tolerances are as follows:</p> <p>1 PL DEC ±0.30 Fractions ±1/64</p> <p>2 PL DEC ±0.15 Angles ±1°</p> <p>3 PL DEC ±0.08</p> <p>3) Note reference = </p>			
SIGNATURES		DATE	
DRAWN: KJM		12-MAY-14	
CHECKED: MRF		12-MAY-14	
ENGINEER: KJM			
APPROVAL: RFC		12-MAY-14	
CUSTOMER:			
<p>MATERIAL SPECIFICATIONS:</p> <p>THIS DRAWING IS SUPPLIED FOR INFORMATION ONLY. DESIGN FEATURES, SPECIFICATIONS AND PERFORMANCE DATA SHOWN HEREON ARE THE PROPERTY OF THE AMPHENOL CORPORATION. NO RIGHTS OF REPRODUCTION ARE IMPLIED. ALL DIMENSIONS ARE SUBJECT TO NORMAL MANUFACTURING VARIATIONS.</p>			
PROCESS SPECIFICATIONS:		SIZE	REVISION
NEXT ASSY:		C-	A1
SCALE: HALF		DWG NO: CA0161A223XX012	SHEET 1 OF 1

**Amphenol**

Sine Systems - www.sineco.com  
 44724 Morley Drive  
 Clinton Township, MI 48036

Ecomate 4 Pos Circular Molded, Std. Strain relief,  
 Male to Leads, 14AWG

TITLE: 14AWG 4-POS STRIP STRAIN RELIEF  
 DWG NO: CA0161A223XX012  
 REV: C1  
 SHEET: 1 OF 1