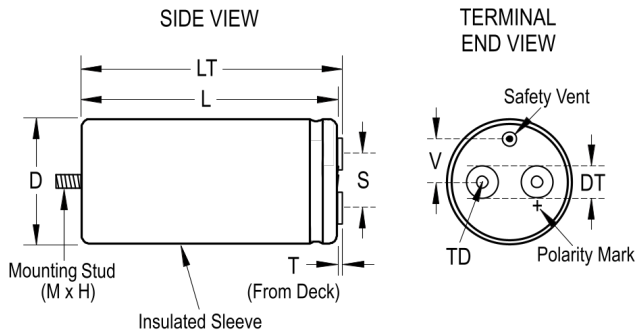


## ALS71A561DA350

Aliases (A490FB561M350A)

ALS71, Aluminum Electrolytic, 560 uF, 20%, 350 VDC, -40/+85°C



Click [here](#) for the 3D model.

### Dimensions

|    |                 |
|----|-----------------|
| D  | 36mm +/-1mm     |
| L  | 52mm +/-2mm     |
| T  | 7.1mm +/-0.5mm  |
| S  | 12.8mm +/-0.5mm |
| DT | 8mm +/-0.5mm    |
| LT | 58.5mm +/-1mm   |
| TD | 10mm MIN        |
| V  | 8mm NOM         |

### Packaging Specifications

|           |      |
|-----------|------|
| Sleeving  | Yes  |
| Packaging | Tray |

### General Information

|                  |   |
|------------------|---|
| Series           | ALS71   |
| Dielectric       | Aluminum Electrolytic   |
| Description      | Screw Terminal, Aluminum Electrolytic   |
| RoHS             | Yes   |
| Mounting         | Stud  |
| AEC-Q200         | No  |
| Halogen Free     | Yes   |
| Component Weight | 75 g  |
| Notes            | Dimensions D And L Include Sleeving. MS (MxH) = M8x12. Mounting Clamp (Sold Separately): V3/H2/2736 |
| Shelf Life       | 156 Weeks   |

### Specifications

|                       |   |
|-----------------------|---|
| Capacitance           | 560 uF  |
| Capacitance Tolerance | 20%   |
| Voltage DC            | 350 VDC, 385 VDC (Surge)  |
| Temperature Range     | -40/+85°C   |
| Rated Temperature     | 85°C  |
| Life                  | 11000 Hrs (Rated Voltage And Ripple Current At 85C), 22000 Hrs (Rated Voltage At 85C) |
| Resistance            | 298 mOhms (100Hz 20C), 174 mOhms (10kHz 20C)  |
| Ripple Current        | 3.1 Amps (100Hz 85C), 6.8 Amps (10kHz 85C)  |
| Leakage Current       | 1176 uA   |

Statements of suitability for certain applications are based on our knowledge of typical operating conditions for such applications, but are not intended to constitute - and we specifically disclaim - any warranty concerning suitability for a specific customer application or use. This information is intended for use only by customers who have the requisite experience and capability to determine the correct products for their application. Any technical advice inferred from this information or otherwise provided by us with reference to the use of our products is given gratis, and we assume no obligation or liability for the advice given or results obtained.