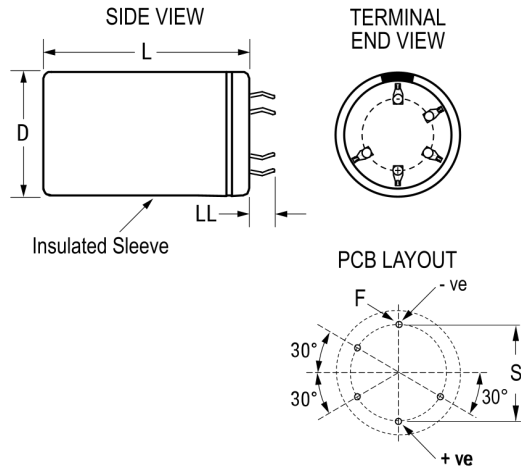


ALC80G513FP063

Aliases (A547JW513M063G)

ALC80, Aluminum Electrolytic, 51,000 uF, 20%, 63 VDC, -40/+105°C



Click [here](#) for the 3D model.

Dimensions

| | |
|----|---------------|
| D | 45mm +1mm |
| L | 105mm +/-2mm |
| S | 25mm +/-0.1mm |
| LL | 6.3mm +/-1mm |
| F | 2mm +/-0.1mm |

Packaging Specifications

| | |
|-----------|-----------|
| Sleaving | Yes |
| Packaging | Bulk, Bag |

General Information

| | |
|------------------|--------------------------------------|
| Series | ALC80 |
| Dielectric | Aluminum Electrolytic |
| Description | Snap-In, Aluminum Electrolytic |
| RoHS | Yes |
| Lead | 5 Pin |
| AEC-Q200 | No |
| Halogen Free | Yes |
| Component Weight | 225 g |
| Notes | Dimensions D And L Include Sleaving. |
| Shelf Life | 156 Weeks |

Specifications

| | |
|-----------------------|--|
| Capacitance | 51,000 uF |
| Capacitance Tolerance | 20% |
| Voltage DC | 63 VDC, 72.5 VDC (Surge) |
| Temperature Range | -40/+105°C |
| Rated Temperature | 105°C |
| Life | 9000 Hrs (Rated Voltage and Ripple Current at 105C), 14000 Hrs (Rated Voltage at 105C) |
| Resistance | 10.91 mOhms (100Hz 20C), 9.055 mOhms (10kHz 20C) |
| Ripple Current | 16.83 Amps (100Hz 105C), 19.59 Amps (10kHz 105C) |
| Leakage Current | 6000 uA (5min 20°C) |