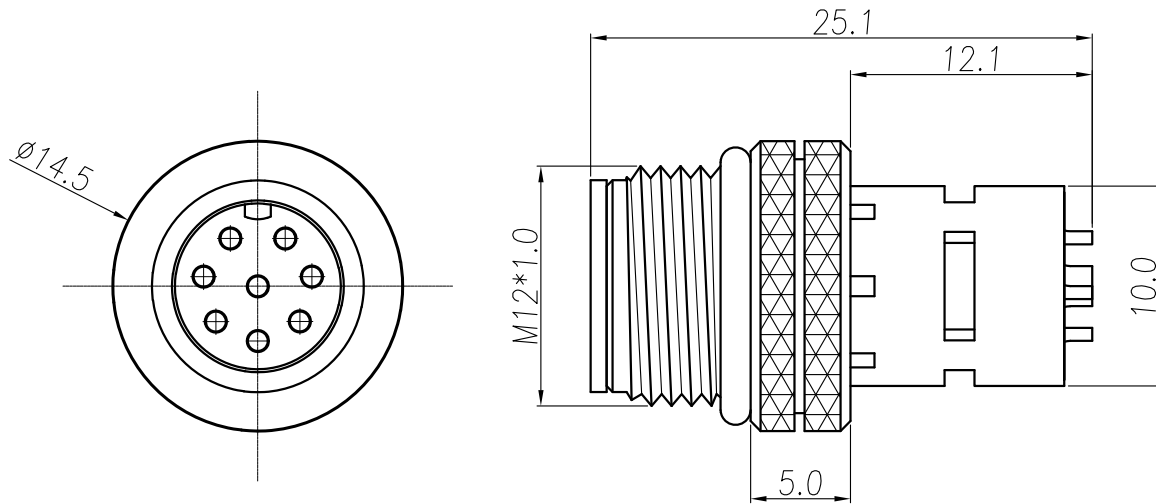


DESCRIPTION: M12 MALE - CABLE MOUNT SOLDER CUP - 8 POS.

NOTE:

MATERIAL	
HOUSING:	PBT UL94V-0, BLACK
CONTACT:	BRASS
SHELL:	BRASS
NUT:	BRASS
O-RING:	EPDM, BLACK
FINISH	
CONTACT:	GOLD PLATED OVER 50 μ NICKEL
SHELL:	BRIGHT TIN
NUT:	NICKEL PLATED
ELECTRICAL	
RATED CURRENT:	2A
RATED VOLTAGE:	30V
INSULATION RESISTANCE:	100 M Ω hms MIN.
CONTACT RESISTANCE:	10 m Ω hms MAX.
WATER PROOF:	IP67
ENVIRONMENT	
OPERATION TEMPERATURE:	-40°C TO +85°C
MAX WIRE AWG:	24



858-008-103RSSY

3 = BRASS/TIN (B/T) SHELL & BRASS/NICKEL NUT
 S = STAINLESS STEEL (SS) SHELL & NUT
 T = B/T SHELL / SS NUT

1 = GOLD FLASH
 4 = 10 μ GOLD

RoHS COMPLIANT

UNITS = mm

DO NOT SCALE FROM DRAWING



THESE DRAWINGS AND SPECIFICATIONS ARE THE PROPERTY OF NorComp AND SHALL NOT BE REPRODUCED, COPIED OR USED AS THE BASIS FOR THE MANUFACTURE OR SALE OF APPARATUS WITHOUT WRITTEN PERMISSION.

DRAWN:

J. KADEL

DATE:

03/27/2019

NorComp

SCALE:
NTS

SHEET OF
1 1

REV
1

DWG NO.

858-008-103RSSY