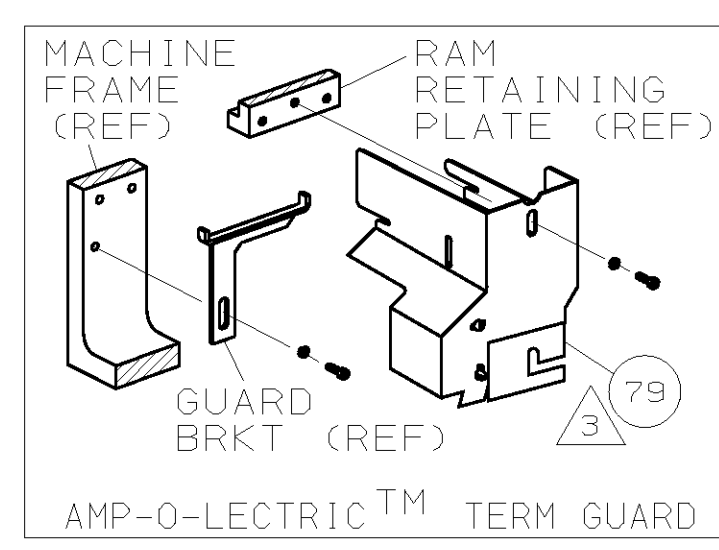
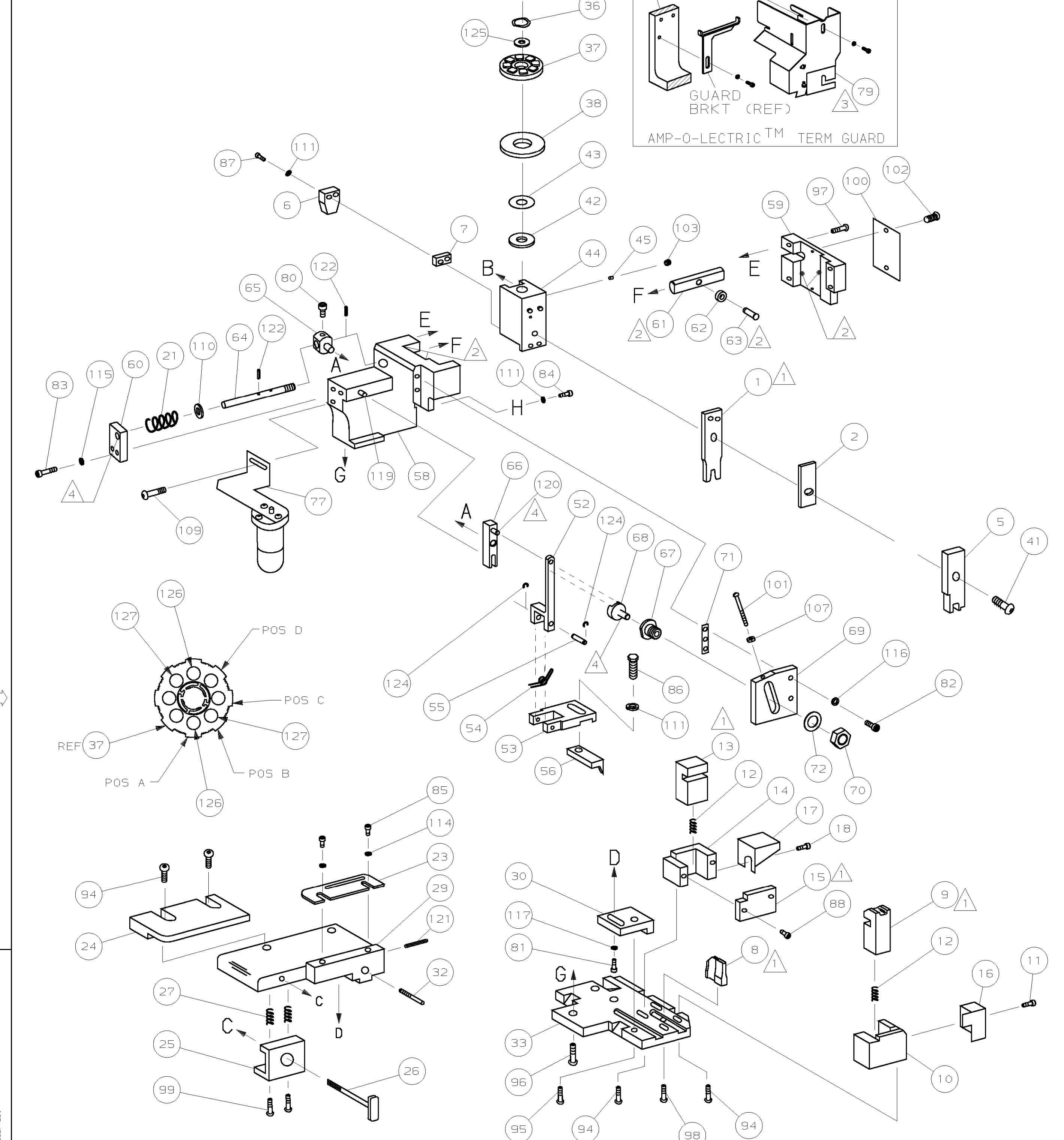
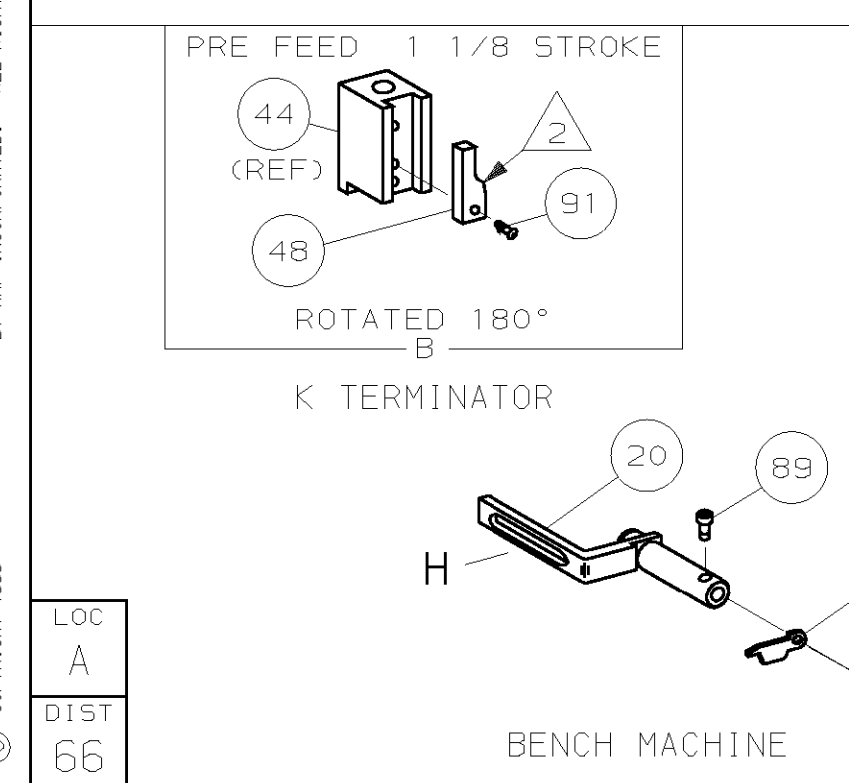


| PART NUMBER | REV | FIRST USED |
|-------------|-----|------------|
| 466433-3    | C   | 565435-5   |



| CRIMPING DATA     |                           |             |                  |
|-------------------|---------------------------|-------------|------------------|
| PAD LTR           | CRIMP HEIGHT              | WIRE SIZE   |                  |
| A                 | .100 ±.002 [2.54 ±0.05mm] | 10          |                  |
| B                 | .083 ±.002 [2.11 ±0.05mm] | 12          |                  |
| C                 | NOT                       | USED        |                  |
| D                 | NOT                       | USED        |                  |
| CRIMP             | SIZE                      | TYPE        | RANGE            |
| WIRE              | .155 [3.94mm]             | F           | 12-10            |
| INSUL             | -                         | -           | -                |
| WIRE STRIP LENGTH | TERM APPL SPEC            | FEED        | APPL INSTRUCTION |
| -                 | -                         | .626        | 408-8040         |
|                   |                           | SET UP GAGE | LAYOUT           |
|                   |                           | 458637-1    | 142              |

| QTY | REV | DESCRIPTION                                  | ITEM NO |
|-----|-----|--|---------|
| 1   | -   | 129  | 129     |
| 2   | -   | 8-354778-2 PIN, WIRE DISC (.2905)B           | 127     |
| 2   | -   | 3-354778-9 PIN, WIRE DISC (.2690)A           | 126     |
| 1   | -   | 986950-1 WASHER, FLAT PRECISION              | 125     |
| REF | -   | 21045-3 RING, RET "C" (Ø.187) FD FING PIN    | 124     |
| REF | -   | 5-21028-1 PIN, SLT SPR (Ø.125x.50) ADJ ROD   | 123     |
| 1   | -   | 4-21028-0 PIN, SLT SPR (Ø.093x.75) ST GDE PL | 121     |
| REF | -   | 1-21030-1 PIN, DOWEL (Ø.187x.50) LEVER       | 120     |
| REF | -   | 1-21030-6 PIN, DOWEL (Ø.187x1.25) HOUSING    | 119     |
| 1   | -   | 21024-5 WASHER, LOCK (#10) ADJ BLOCK         | 117     |
| REF | -   | 21024-5 WASHER, LOCK (#10) ADJ PLATE         | 116     |
| REF | -   | 21024-5 WASHER, LOCK (#10) FEED GDE ROD      | 115     |
| 2   | -   | 21024-2 WASHER, LOCK (#4) FRONT STP GUIDE    | 114     |
| 4   | -   | 21024-4 WASHER, LOCK (#8) STRIPPER           | 111     |
| REF | -   | 21899-4 WASHER, FLAT (Ø5/16) SCREW ADJ       | 110     |
| 1   | -   | 2-21002-6 SCR, BHC (10-32x.38) LUBE ASSY     | 109     |
| REF | -   | 21018-5 NUT, HEX (6-32) FEED ADJ             | 107     |
| 1   | -   | 992031-1 PIN, CLEVIS                         | 104     |
| 1   | -   | 21009-2 SCR, SKT SET (1/4-20x.25 LW) RAM     | 103     |
| 2   | -   | 21017-2 SCR, DRIVE (#2x.19) ID PLATE         | 102     |
| REF | -   | 6-23715-5 SCR, PAN HD (6-32x1.50) FEED ADJ   | 101     |
| 1   | -   | 461264-1 PLATE, IDENTIFICATION               | 100     |
| 2   | -   | 3-21002-0 SCR, BHC (10-32x.88) DRAG          | 99      |
| 1   | -   | 22733-8 SCR, BHC (8-32x.38 LW) ANVIL         | 98      |
| REF | -   | 2-21002-9 SCR, BHC (10-32x.75) CAP           | 97      |
| REF | -   | 2-22733-8 SCR, BHC (1/4-20x.62) HOUSING      | 96      |
| REF | -   | 2-21002-7 SCR, BHC (10-32x.50) 5G ADJ BLOCK  | 95      |
| 6   | -   | 2-21002-2 SCR, BHC (8-32x.50) SHEAR          | 94      |
| 1   | -   | 1-21002-7 SCR, BHC (6-32x.38) CAM            | 91      |
| 1   | -   | 7-21000-9 SCR, SHC (4-40x.19) STRIPPER       | 89      |
| 2   | -   | 1-21000-9 SCR, SHC (6-32x.25) R SHEAR PLATE  | 88      |
| 2   | -   | 3-21000-0 SCR, SHC (8-32x.88) DEP-HOLD       | 87      |
| 1   | -   | 2-22603-0 SCR, HEX HD (8-32x.31) FEED FINGER | 86      |
| 2   | -   | 1-21000-3 SCR, SHC (4-40x.25) F ST GUIDE     | 85      |
| 1   | -   | 2-21000-7 SCR, SHC (8-32x.50) STRIPPER       | 84      |
| REF | -   | 3-21000-7 SCR, SHC (10-32x.75) FEED ROD GD   | 83      |
| REF | -   | 3-21000-6 SCR, SHC (10-32x.62) FD ADJ BLK    | 82      |
| 1   | -   | 3-21000-4 SCR, SHC (10-32x.38) 5G ADJ BL     | 81      |
| REF | -   | 3-21000-4 SCR, SHC (10-32x.38) PIVOT BLK     | 80      |
| REF | -   | 455749-1 GUARD, WINDOW                       | 79      |
| 1   | -   | 1-465184-0 LUBRICATOR ASSY                   | 77      |
| REF | -   | 458109-1 WASHER, SPECIAL                     | 74      |
| REF | -   | 690517-1 SPACER                              | 71      |



- 1 RECOMMENDED SPARE PARTS.
- 2 GREASE LIGHTLY.
- 3 GUARD MUST BE IN PLACE WHEN OPERATING APPLICATOR IN A BENCH MACHINE.
- 4 LUBRICATE DAILY USING NO. 20 MACHINE OIL.
- 5 ITEMS WITH QTY OF REF SPECIFIED (EXCEPT ITEM 79) ARE USED ON ITEM 46.
- 6 LUBRICATION REQUIRED WITH NICKEL PLATED TERMINALS.

|    |               |               |
|----|---------------|---------------|
| -3 | BENCH MODEL K | MECH PRE FEED |
|----|---------------|---------------|

| REF | QTY | REV | DESCRIPTION                          | ITEM NO |
|-----|-----|-----|--------------------------------------|---------|
| REF | -   | B   | 22594-8 NUT, HEX (1/2-20)            | 70      |
| REF | -   | B   | 240628-1 PLATE, ADJUSTMENT           | 69      |
| REF | -   | B   | 240626-1 SHAFT, PIVOT                | 68      |
| REF | -   | B   | 240633-1 BUSHING                     | 67      |
| REF | -   | A   | 455680-1 LEVER, INTERMEDIATE         | 66      |
| REF | -   | B   | 240629-1 BLOCK, PIVOT                | 65      |
| REF | -   | A   | 240632-2 SCREW, ADJ FEED ROD         | 64      |
| REF | -   | B   | 240659-3 PIN, CAM ROLLER             | 63      |
| REF | -   | B   | 240658-1 ROLLER, CAM                 | 62      |
| REF | -   | B   | 454398-2 ROD, FEED                   | 61      |
| REF | -   | A   | 454178-1 GUIDE, FEED ROD             | 60      |
| REF | -   | C   | 454220-1 CAP, RAM                    | 59      |
| REF | -   | D   | 454485-1 HOUSING                     | 58      |
| 1   | -   | B   | 458537-2 PAWL, FEED                  | 56      |
| REF | -   | B   | 240624-1 PIN, FEED FINGER            | 55      |
| REF | -   | B   | 691499-1 SPRING, FEED FINGER         | 54      |
| REF | -   | B   | 690541-1 HOLDER, FEED FINGER         | 53      |
| REF | -   | A   | 455679-1 LEVER, TERMINAL FEED ARM    | 52      |
| 1   | -   | A   | 7-21002-9 BOLT, CRIMPER (5/16x1.00)  | 49      |
| 1   | -   | B   | 690602-5 CAM, PRE-FEED 1 1/8 ST      | 48      |
| 1   | -   | B   | 459456-1 APPLICATOR, BASIC (SUBASSY) | 46      |
| 1   | -   | A   | 690191-1 PLUG, NYLON                 | 45      |
| 1   | -   | C   | 455673-1 RAM                         | 44      |
| 1   | -   | A   | 690125-1 WASHER, LAMINATED           | 43      |
| 1   | -   | A   | 690124-1 WASHER, RAM                 | 42      |
| 1   | -   | A   | 690223-2 SPACER, INSULATION DISC     | 41      |
| 1   | -   | D   | 354777-1 WIRE DISC, PLASTIC          | 37      |
| 1   | -   | A   | 22480-5 WASHER, SPRING               | 36      |
| 1   | -   | B   | 690212-1 POST, RAM                   | 35      |
| REF | -   | D   | 455675-1 PLATE, BASE                 | 33      |
| 1   | -   | A   | 690432-3 SCREW, ADJUSTMENT           | 32      |
| REF | -   | B   | 455689-1 BLOCK, STRIP GUIDE ADJ      | 30      |
| 1   | -   | C   | 455671-1 PLATE, STRIP GUIDE          | 29      |
| 2   | -   | A   | 1-22284-0 SPRING, DRAG               | 27      |
| 1   | -   | B   | 690546-1 LEVER, DRAG RELEASE         | 26      |
| 1   | -   | B   | 240792-5 DRAG, TERMINAL              | 25      |
| 1   | -   | D   | 2-690504-8 GUIDE, STRIP (REAR)       | 24      |
| 1   | -   | A   | 693855-1 GUIDE, STRIP (FRONT)        | 23      |
| 1   | -   | B   | 690461-1 STOP, SHEAR, REAR           | 22      |
| REF | -   | A   | 4-22284-9 SPRING, FEED RETURN        | 21      |
| 1   | -   | A   | 679218-1 STRIPPER WIRE STOP ASSY     | 20      |
| 1   | -   | B   | 458949-1 STRIPPER                    | 19      |
| 1   | -   | A   | 691668-1 GUARD, CHIP (REAR)          | 17      |
| 1   | -   | B   | 691667-1 GUARD, CHIP (FRONT)         | 16      |
| 1   | -   | B   | 690691-2 PLATE, SHEAR (REAR)         | 15      |
| 1   | -   | B   | 690462-1 HOLDER, SHEAR (REAR)        | 14      |
| 1   | -   | C   | 690463-1 SHEAR, FLOAT (REAR)         | 13      |
| 2   | -   | A   | 5-22280-0 SPRING, SHEAR              | 12      |
| 1   | -   | B   | 690461-7 STOP, SHEAR, FRONT          | 11      |
| 1   | -   | C   | 1-690459-0 HOLDER, SHEAR (FRONT)     | 10      |
| 1   | -   | C   | 454276-5 SHEAR, FLOAT (FRONT)        | 9       |
| 1   | -   | C   | 5-683403-7 ANVIL                     | 8       |
| 1   | -   | C   | 2-240641-6 SPACER, DEPRESSOR (REAR)  | 7       |
| 1   | -   | A   | 690468-1 DEPRESSOR, SHEAR (REAR)     | 6       |
| 1   | -   | C   | 1-455889-6 DEPRESSOR, SHEAR (FRONT)  | 5       |
| 1   | -   | C   | 455888-6 SPACER, CRIMPER             | 2       |
| 1   | -   | C   | 456415-2 CRIMPER, WIRE               | 1       |

| QTY   | REV | DESCRIPTION | ITEM NO |
|---|-----|-------------|---------|
| -3  | U/M | Dwg SIZE    | PART NO |
| REVISION OF EACH ASSY NO (WHEN BLANK, USE DWG REVISION) |     |             |         |
| PARTS LIST  |     |             |         |
| DIMENSIONS IN INCHES. DO NOT SCALE PRINT.               |     |             |         |
| TOLERANCES UNLESS OTHERWISE SPECIFIED:                  |     |             |         |
| 2 PLC DEC ±   |     |             |         |
| 3 PLC DEC ±   |     |             |         |
| 4 PLC DEC ±   |     |             |         |
| ANGLES ±  |     |             |         |
| SURF TEXTURE. ✓   |     |             |         |
| REMOVE BURRS, BREAK SHARP EDGES R.015 MAX               |     |             |         |
| MATERIAL: HT TR, FIN                                    |     |             |         |
| DATE: 2/21/95 APP: T.BEDDICK                            |     |             |         |
| DR: D.SALTZER   |     |             |         |
| CHK: 3-7-95 C.ERISMAN                                   |     |             |         |
| REL: 3/10/95 B. MORGAN                                  |     |             |         |
| NAME: SIDE FEED HDM APPLICATOR MACHINE REF MINI APPL    |     |             |         |
| SCALE: D DWG NO: 466433-3 SHEET 1 OF 1 REV D            |     |             |         |

THIS DRAWING IS A CONTROLLED DOCUMENT.

JAN 28, 1995

RELEASED FOR PUBLICATION BY AMP INCORPORATED. ALL RIGHTS RESERVED.

LOC A DIST 66