

REVISION-
08/14/96 TS

REVISION A
REFORMATTED
07/14/97 TS

REVISION B
CHANGED A.7.
08/23/99 TS

REVISION C
ADDED RoHS
01/10/06 MP

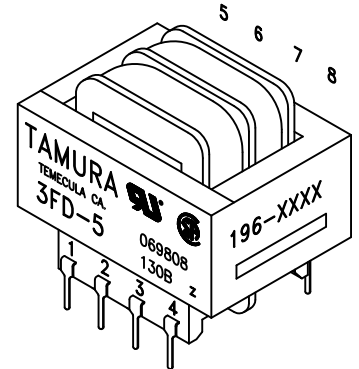
REVISION D
SAFETY UPDATED.
FUSE INFO
ADDED.
6-25-09 MP

A. Electrical Specifications (@ 25 °C)

1. Maximum Power: 12.0 VA.
2. Input Voltage and Frequency: 115V/230V 50/60 Hz.
3. Secondary Voltage: See Table A.
4. Voltage Regulation: 19% TYP @ full load to no load.
5. Temperature Rise: 45°C TYP (50°C MAX allowed).
6. Insulation Resistance:
 - 100 MΩ MIN @ 500VDC, Pri to Sec, Pri to Core.
 - 100 MΩ MIN @ 500VDC, Sec to Core.
7. Hi-Pot: 2500 Vrms 1 minute @ Pri to Sec.
1500 Vrms 1 minute @ Pri to Core.
1500 Vrms 1 minute @ Sec to Core.
500 Vrms 1 minute @ Sec to Sec.



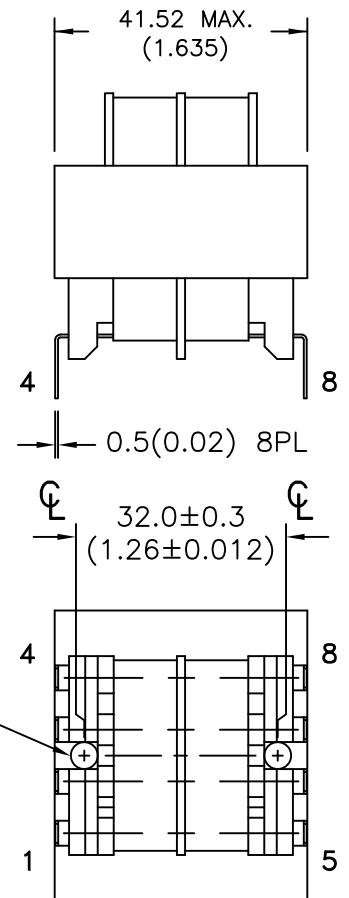
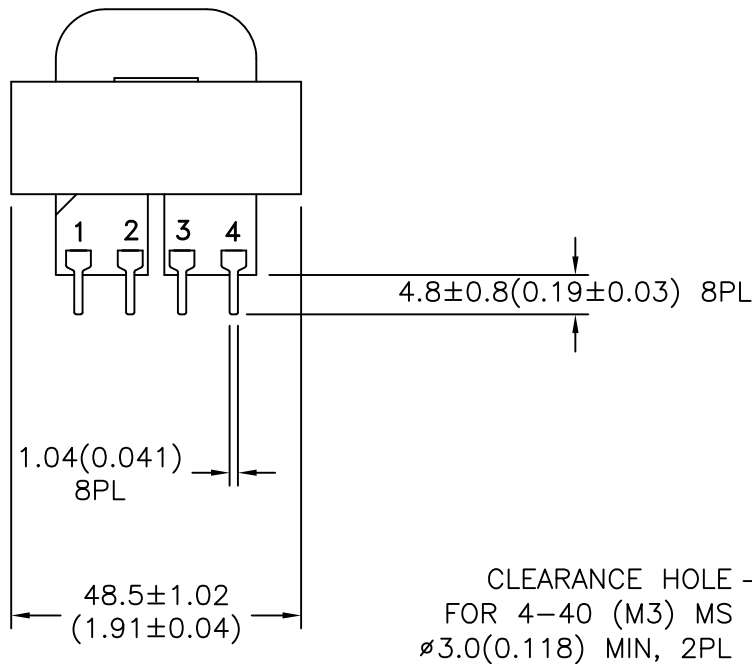
B. Marking: TAMURA, Tamura part number (see sheet 2), MICROTRAN, Microtran part number (see sheet 2), date code, country of origin, safety logos and input and output ratings.



C. Safety:

- Insulation Class B (130°C) File No. E92957.
- CSA 22.2 No. 66-1988, File No. 069808.
- UL 1585, Class 2 or 3, Noninherently limited, File No. E95844.
- UL 506, General Purpose, File No. E91239.

D. Mechanical Specifications:



PREPARED BY:

E. BRINER

ENGINEER:

M. PITCHAI

SAFETY ENGINEER

B. O.

APPROVED:

T. BROOKS

| DRAWING CONTROL NO. | REV | MODEL DESCRIPTION |
|---------------------------------------------------------------------|-----|-------------------------------------------|
| P-A1-11164-1 | D | SIZE 5 3FD & PSD FAMILY POWER TRANSFORMER |
| CONTENTS OF THIS DRAWING ARE SUBJECT TO CHANGE WITHOUT PRIOR NOTICE | | |

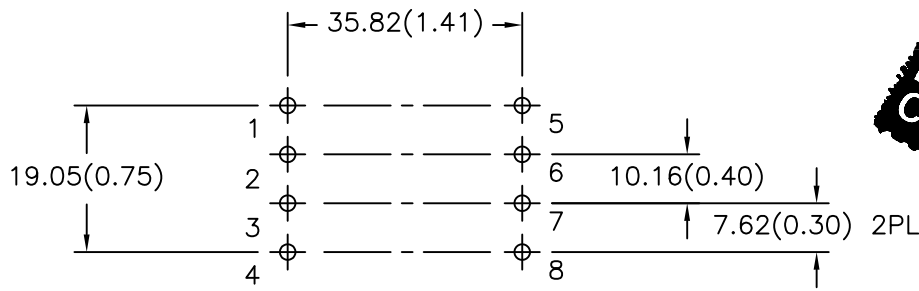
TAMURA CORPORATION OF AMERICA
1040 SOUTH ANDREASEN DRIVE, #100 ESCONDIDO, CA. 92029
(951) 699-1270 FAX 7607400536

| MODEL SPECIFICATION |
|----------------------------------|
| 3FD-5XX & PSD5-XX |
| DIM: mm[In] SCL: NONE SH: 1 OF 2 |

PROPRIETARY NOTICE: THIS DRAWING PRINT OR DOCUMENT AND SUBJECT MATTER DISCLOSED HEREIN ARE PROPRIETARY ITEMS TO WHICH TAMURA RETAINS THE EXCLUSIVE RIGHT OF DISSEMINATION, REPRODUCTION, MANUFACTURE AND SALE. THIS DRAWING, PRINT OR DOCUMENT IS SUBMITTED IN CONFIDENCE FOR CONSIDERATION BY THE RECIPIENT ALONE UNLESS PERMISSION FOR FURTHER DISCLOSURE IS EXPRESSLY GRANTED IN WRITING.

SEE SHEET
1 OF 2 FOR
REVISION
HISTORY

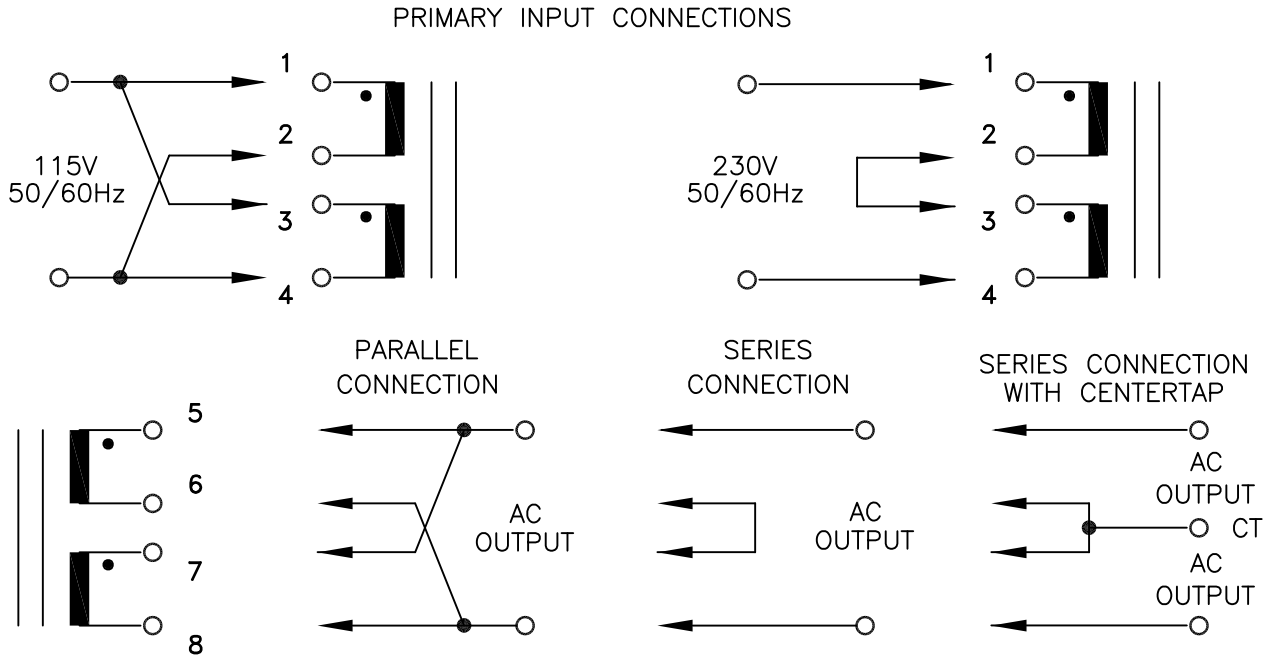
E. Mounting Footprint:



MODEL NUMBER

3FD-5XX & PSD5-XX

F. Connection Diagram:



*not UL - recognized for series connect.

G. Table A: (NOTE: All parts are dual marked with both part numbers)

UL APPROVED FUSE

| TAMURA P/N | MICROTRAN PART NO. | PARALLEL | | SERIES | | SERIES WITH CT | | SECONDARY FUSE REQUIRED EACH WINDING |
|------------|--------------------|----------|----------|----------|----------|----------------|----------|--------------------------------------|
| | | AC VOLTS | RMS AMPS | AC VOLTS | RMS AMPS | AC VOLTS | RMS AMPS | |
| 3FD-510 | PSD5-10 | 5.0 | 2.4 | 10.0 | 1.2 | 5.0-CT-5.0 | 1.2 | 1.5A |
| 3FD-512 | PSD5-12 | 6.3 | 2.0 | 12.6 | 1.0 | 6.3-CT-6.3 | 1.0 | 1.25A |
| 3FD-516 | PSD5-16 | 8.0 | 1.6 | 16.0 | 0.8 | 8.0-CT-8.0 | 0.8 | 1.0A |
| 3FD-520 | PSD5-20 | 10.0 | 1.2 | 20.0 | 0.6 | 10.0-CT-10.0 | 0.6 | 0.75A |
| 3FD-524 | PSD5-24 | 12.0 | 1.0 | 24.0 | 0.5 | 12.0-CT-12.0 | 0.5 | 0.6A |
| 3FD-528 | PSD5-28 | 14.0 | 0.84 | 28.0 | 0.42 | 14.0-CT-14.0 | 0.42 | 0.5A |
| 3FD-536 | PSD5-36 | 18.0 | 0.7 | 36.0 | 0.35 | 18.0-CT-18.0 | 0.35 | 0.5A |
| 3FD-548 | PSD5-48 | 24.0 | 0.5 | 48.0 | 0.25 | 24.0-CT-24.0 | 0.25 | 0.315A |
| 3FD-556 | PSD5-56 | 28.0 | 0.44 | 56.0 | 0.22 | 28.0-CT-28.0 | 0.22 | 0.3A |
| 3FD-5120 | PSD5-120 | 60.0 | 0.2 | 120.0* | 0.1 | 60.0-CT-60.0 | 0.1 | N/A |

PREPARED BY:

E. BRINER

ENGINEER:

M. PITCHAI

SAFETY ENGINEER

B. O.

APPROVED:

T. BROOKS

DRAWING CONTROL NO. P-A1-11164-2
REV D

MODEL DESCRIPTION
SIZE 5 3FD & PSD FAMILY
POWER TRANSFORMER

MODEL SPECIFICATION
3FD-5XX & PSD5-XX

CONTENTS OF THIS DRAWING ARE SUBJECT TO CHANGE WITHOUT PRIOR NOTICE

TAMURA CORPORATION OF AMERICA
1040 SOUTH ANDREASEN DRIVE, #100 ESCONDIDO, CA. 92029
(951) 699-1270 FAX 7607400536

DIM: mm[In] SCL: NONE SH: 2 OF 2

PROPRIETARY NOTICE: THIS DRAWING PRINT OR DOCUMENT AND SUBJECT MATTER DISCLOSED HEREIN ARE PROPRIETARY ITEMS TO WHICH TAMURA RETAINS THE EXCLUSIVE RIGHT OF DISSEMINATION, REPRODUCTION, MANUFACTURE AND SALE. THIS DRAWING, PRINT OR DOCUMENT IS SUBMITTED IN CONFIDENCE FOR CONSIDERATION BY THE RECIPIENT ALONE UNLESS PERMISSION FOR FURTHER DISCLOSURE IS EXPRESSLY GRANTED IN WRITING.