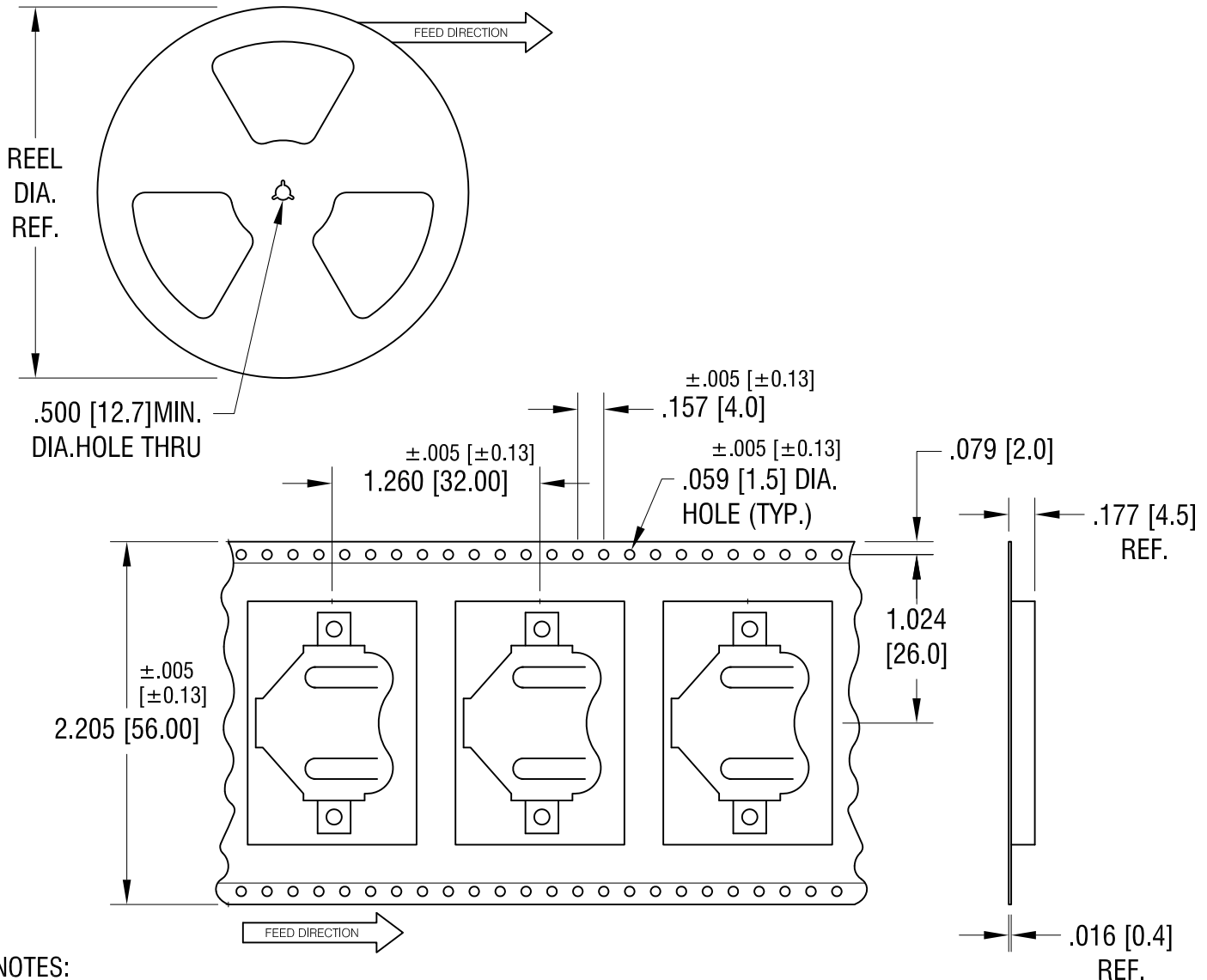


THIS DOCUMENT IS THE PROPERTY OF KEYSTONE ELECTRONICS CORP. AND SHALL NOT BE REPRODUCED, DISTRIBUTED OR USED AS A BASIS FOR MANUFACTURE WITHOUT PRIOR WRITTEN PERMISSION FROM KEYSTONE ELECTRONICS CORP.



NOTES:

TAPE AND REEL SPECIFICATIONS:

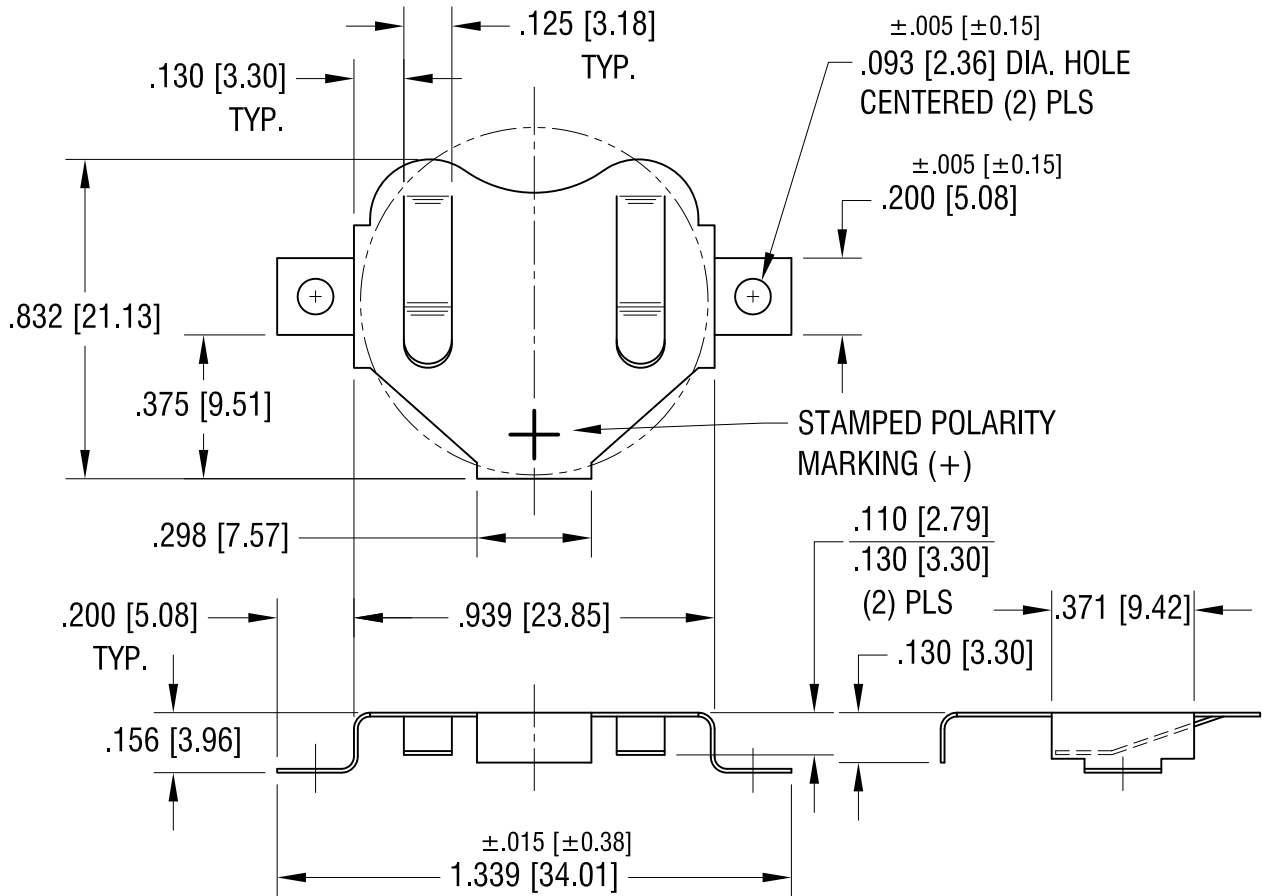
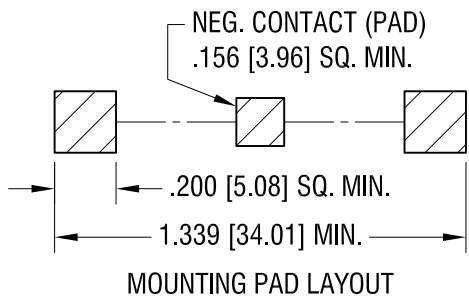
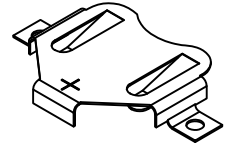
1. TAPE:
 MAT'L - ALL CONDUCTIVE POLYSTYRENE CARRIER
 ANSI/EIA-481 STANDARD
 2.205 [56.0] WIDE; 1.260 [32.0] PITCH
2. REEL:
 13.0 [330.2] DIA. 400 PIECES OF
 PART NO. 3004 PER REEL.

4.17.06	CHANGE AS PER ECN 06-023	B
12.3.02	CHANGE AS PER ECN 02-083	A
DATE	DESCRIPTION	REV.

KEYSTONE ELECTRONICS CORP.			
www.keyelco.com • ASTORIA, N.Y. 11105-2017 • Tel (718) 956-8900			
PART NAME 23mm SM COIN CELL CLIP ON TAPE			
MATERIAL AS NOTED			
FINISH AS NOTED		DRN BY BOONE	DATE 2.28.00
		APP'D LN	SCALE X
TOLERANCES INCH [MM] DECIMAL ± .015 [± 0.38] ANGULAR ± 1° UNLESS OTHERWISE SPECIFIED	CODE C	DWG NO. 3004TR	

THIS DOCUMENT IS THE PROPERTY OF
KEYSTONE ELECTRONICS CORP. AND
SHALL NOT BE REPRODUCED, DISTRIBUTED
OR USED AS A BASIS FOR MANUFACTURE
WITHOUT PRIOR WRITTEN PERMISSION
FROM KEYSTONE ELECTRONICS CORP.

ACTUAL SIZE



KEYSTONE ELECTRONICS CORP.

www.keyelco.com • ASTORIA, N.Y. 11105-2017 • Tel (718) 956-8900

PART NAME

23mm SM COIN CELL CLIP

MATERIAL

.010 [0.25] TH'K PHOSPHOR BRONZE

FINISH

TIN NICKEL PLATE

DRN BY BOONE

DATE 10.14.94

APP'D LN

SCALE 2X

TOLERANCES INCH [MM]
DECIMAL ±.010 [±0.25]
ANGULAR ± 1°
UNLESS OTHERWISE SPECIFIED

CODE
C

DWG NO.

3004

5.07.15	CHANGE AS PER ECN 15-051	H
9.22.06	CHANGE AS PER ECN 06-057	G
DATE	DESCRIPTION	REV.