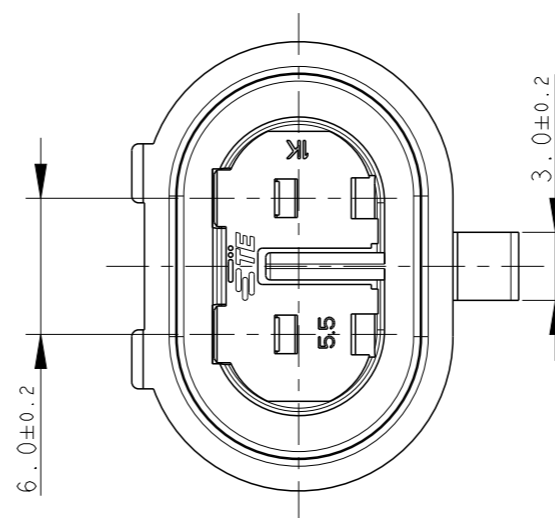
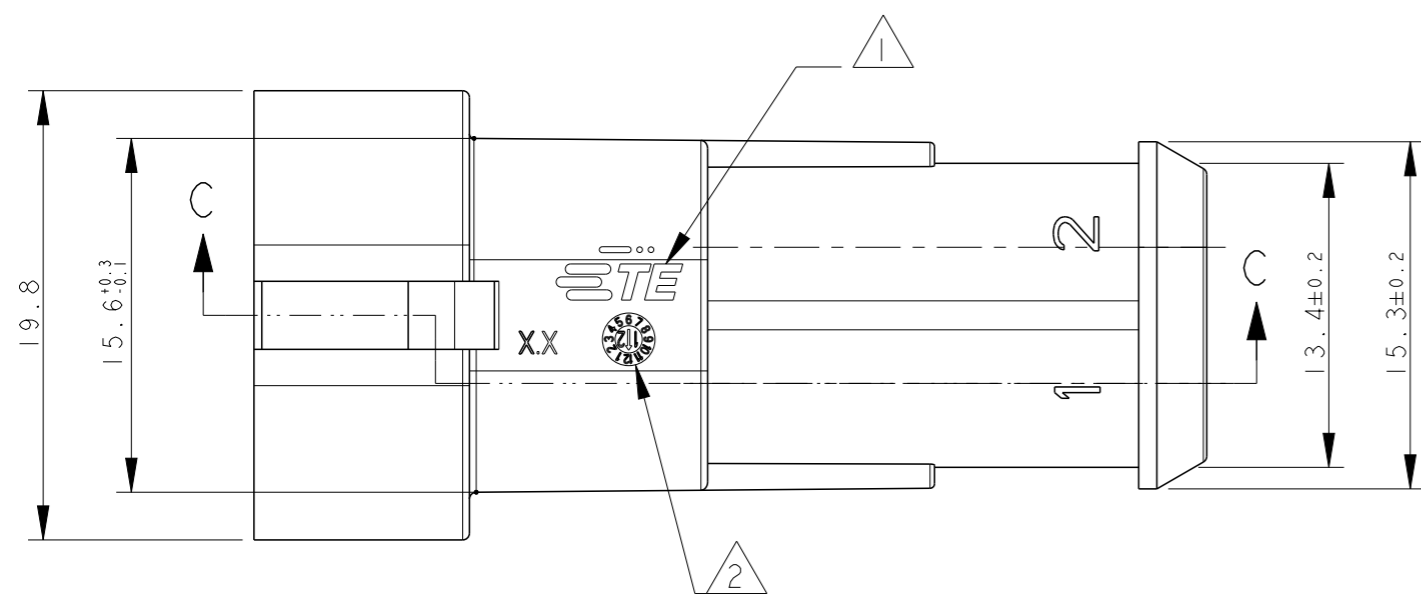
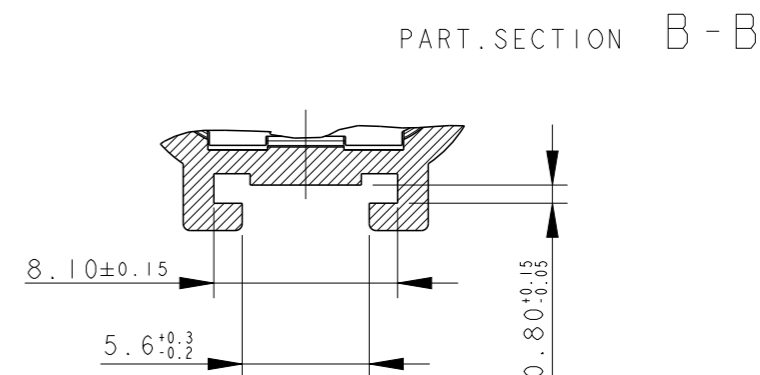
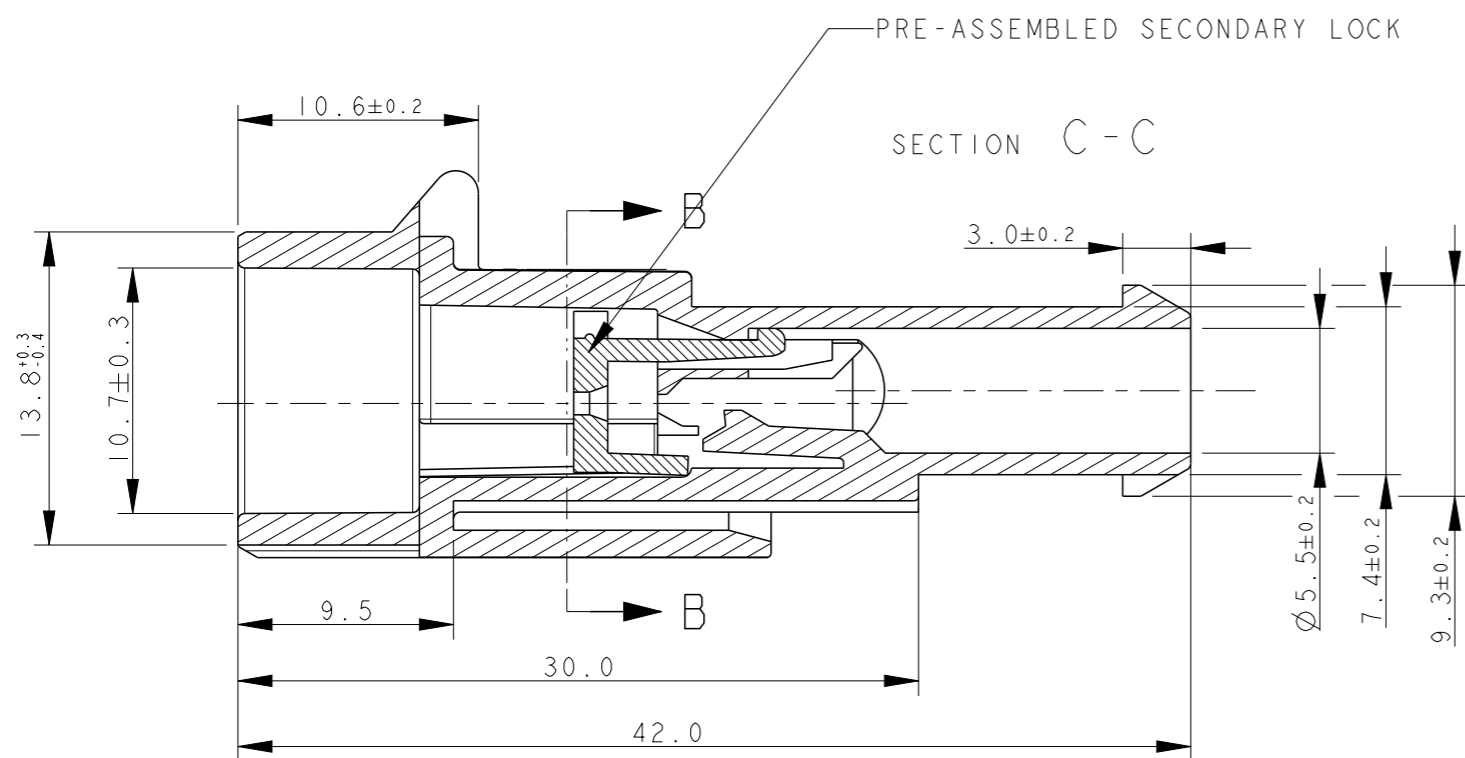


REVISIONS

P	LTR	DESCRIPTION	DATE	DWN	APVD
B1		REVISED PER ECO-17-009774	06SEP2017	M.G.	M.G.
B2		REVISED PER ECO-19-004916	29MAR2019	AP	VN

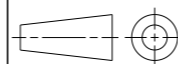


HSG: WHITE SEC. LOCK: WHITE	PA66-GF UL94-V2 ACC. TO IEC 60335-1	A	1745099-1
HSG: GREEN SEC. LOCK: RED	PA66-GF	B	282104-3
HSG: GRAY SEC. LOCK: RED	PA66-GF	B	282104-2
HSG: BLACK SEC. LOCK: RED	PA66-GF	B	282104-1
FINISH/COLOR	MATERIAL	REV	P/N

- 1 TE CONNECTIVITY TRADE MARK,  
(IN ALTERNATIVE: "AMP" LOGO, OR "Tyco Electronics" LOGO)
- 2 DATE CODE (OPTIONAL IN OLD MOULDS)

THIS DRAWING IS A CONTROLLED DOCUMENT.

DIMENSIONS:  
mm



MATERIAL  
SEE TABLE

TOLERANCES UNLESS OTHERWISE SPECIFIED:

0 PLC	±-
1 PLC	± 0.3
2 PLC	±-
3 PLC	±-
4 PLC	±-
ANGLES	± 2°

FINISH  
SEE TABLE

DWN C. BERTINI 02-1990  
CHK A. BRUNI 02-1990  
APVD -  
PRODUCT SPEC 108-20090  
APPLICATION SPEC 412-20000  
WEIGHT 3.72g  
Customer Drawing

**STE** TE Connectivity

NAME  
AMP SUPERSEAL 1.5 SRS.  
2 POSITIONS TAB ASS'Y

SIZE	CAGE CODE	DRAWING NO	RESTRICTED TO
A3	00779	C=282104	-

SCALE 3:1 SHEET 1 OF 1 REV B2