

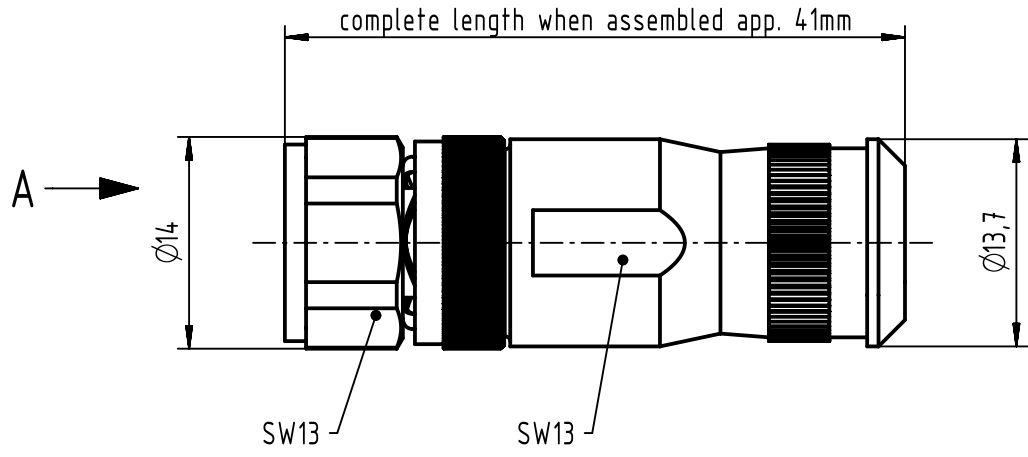
1 2 3 4 5 6

A

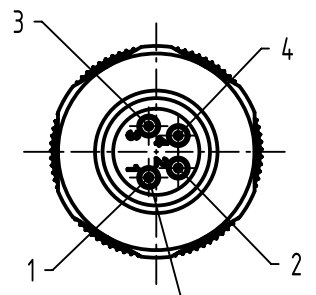
B

C

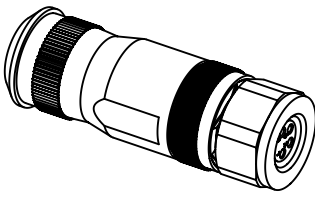
D




A (2:1)



contact face acc. to
IEC 61076-2-104



conductor cross section	0.5mm ² max. AWG20
cable outside diameter	4 - 5.5mm

	All Dimensions in mm Original Size DIN A4		Scale 2:1	Free size tol.			Ref.	
	All rights reserved Department EC PD - DE		Created by EISFELD	Inspected by WELLMANN	Standardisation SCHREIER	Date 2015-04-02	State Final Release	
HARTING Electronics GmbH D-32339 Espelkamp			Title HARTING M8 screw straight 4-pole female shielded				Doc-Key / ECM-Nr. 100617450/UGD/001/A 500000087333	
			Type TB	Number 21023692401			Rev. A	Page 1/1