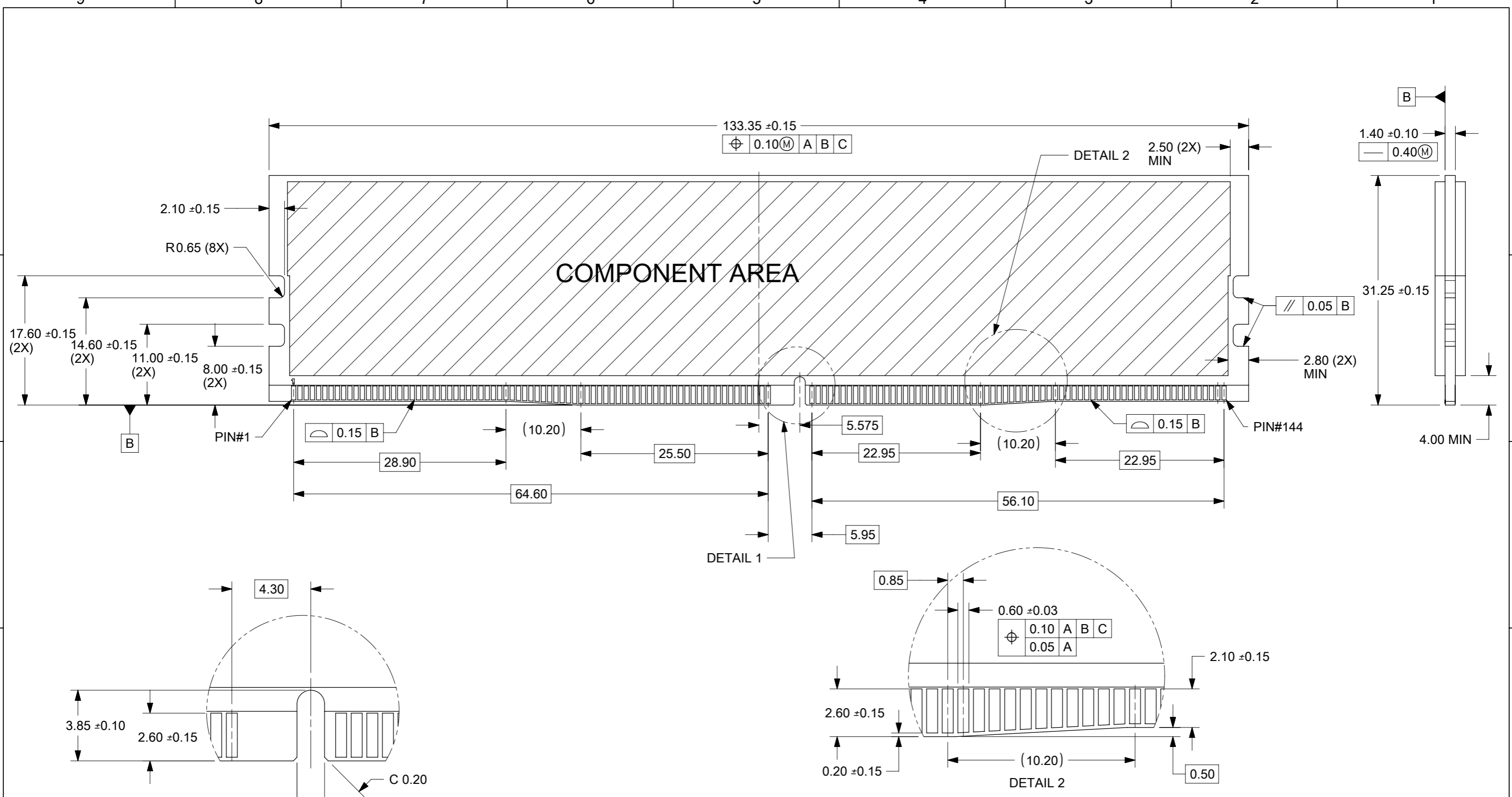


THIS DESIGN IS BASED ON DESIGN OBJECTIVES AND IS STRICTLY TENTATIVE. IT MAY CHANGE BASED ON RESULTS OF ADDITIONAL DESIGN REVIEWS & VERIFICATIONS.

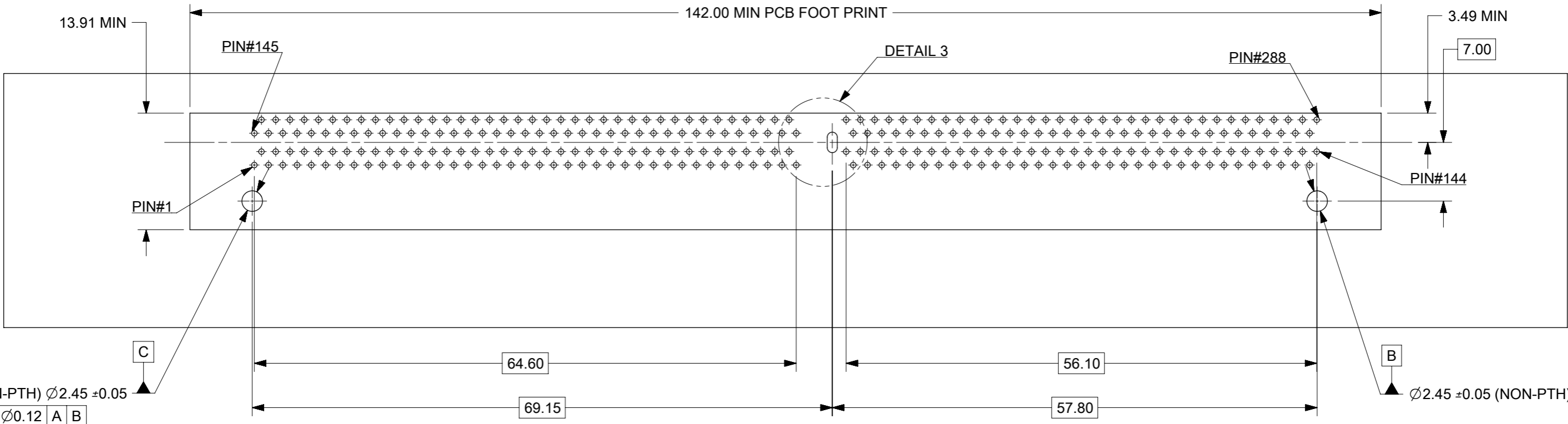
- NOTES:
- MATERIAL : HOUSING - HALOGEN FREE HIGH TEMP POLYAMIDE, GLASS FILLED, UL94V-0, BLACK.
LATCH - HALOGEN FREE HIGH TEMP POLYAMIDE, GLASS FILLED, UL94V-0, BLACK.
TERMINAL : COPPER ALLOY.
FORKLOCK: COPPER ALLOY.
 - FINISHES - SEE TABLE ON SHEET 5.
 - PRODUCT SPECIFICATION : SEE TABLE ON SHEET 5.
 - PACKAGING SPECIFICATION: PRODUCT SHALL BE PACKED IN TRAY, SEE SHEET 5
 - CARD SLOT ACCEPTS 1.40±0.10MM MODULE THICKNESS (MEASURED OVER P.C. PADS).
 - MOLEX LOGO, DATE & PART NO. INDICATED ON HOUSING.

THIS DRAWING CONTAINS INFORMATION THAT IS PROPRIETARY TO MOLEX ELECTRONIC TECHNOLOGIES, LLC AND SHOULD NOT BE USED WITHOUT WRITTEN PERMISSION																													
QUALITY SYMBOLS		AMD. DIM "Q"		EC NO: 174096		DRWN: CCTEH		CHK'D: CGTAN		REV APPR: SHLENI																			
FA	= 0	FB	= 0	FC	= 0	FD	= 0	FE	= 0	FF	= 0																		
GENERAL TOLERANCES (UNLESS SPECIFIED)				DIMENSION UNITS		SCALE		<p>DDR4 DIMM 0.85MM PITCH 25 DEG. 288CKTS T/H</p> <p>PRODUCT CUSTOMER DRAWING</p> <table border="1"> <tr> <td>SERIES</td> <td>MATERIAL NUMBER</td> <td colspan="2">CUSTOMER</td> </tr> <tr> <td>151080</td> <td>SEE TABLE</td> <td colspan="2">GENERAL MARKET</td> </tr> <tr> <td colspan="2">DOCUMENT NUMBER</td> <td>DOC TYPE</td> <td>DOC PART</td> <td>SHEET NUMBER</td> </tr> <tr> <td colspan="2">SD-151080-0001</td> <td>PSD</td> <td>000</td> <td>1 OF 5</td> </tr> </table>				SERIES	MATERIAL NUMBER	CUSTOMER		151080	SEE TABLE	GENERAL MARKET		DOCUMENT NUMBER		DOC TYPE	DOC PART	SHEET NUMBER	SD-151080-0001		PSD	000	1 OF 5
SERIES	MATERIAL NUMBER	CUSTOMER																											
151080	SEE TABLE	GENERAL MARKET																											
DOCUMENT NUMBER		DOC TYPE	DOC PART	SHEET NUMBER																									
SD-151080-0001		PSD	000	1 OF 5																									
ANGULAR TOL ± 3.0 °				MM ONLY	NTS		DRWN BY		DATE																				
4 PLACES ±				CCTEH	2014/05/19		CHK'D BY		DATE																				
3 PLACES ±				CGTAN	2015/04/30		APPR BY		DATE																				
2 PLACES ± 0.25				SHLENI	2015/05/13		DRAWING SIZE		THIRD ANGLE PROJECTION																				
1 PLACE ±				A3	THIRD ANGLE PROJECTION																								
0 PLACES ±				DRAFT WHERE APPLICABLE MUST REMAIN WITHIN DIMENSIONS																									

RELEASE STATUS	RELEASE DATE
----------------	--------------

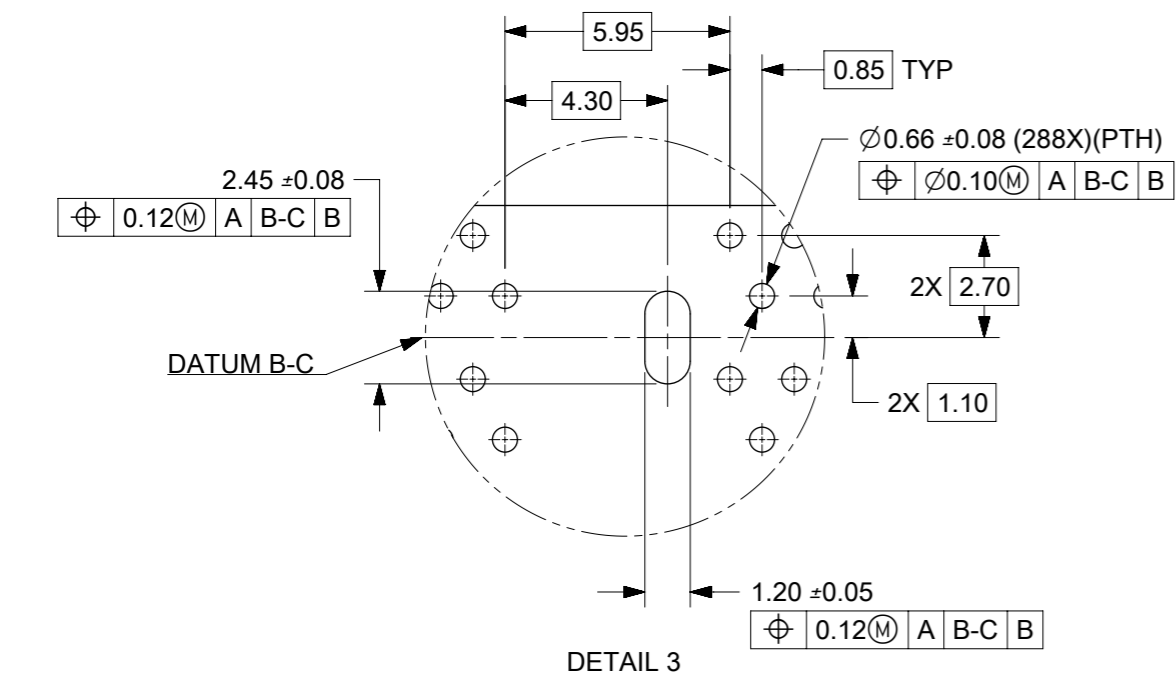


THIS DRAWING CONTAINS INFORMATION THAT IS PROPRIETARY TO MOLEX ELECTRONIC TECHNOLOGIES, LLC AND SHOULD NOT BE USED WITHOUT WRITTEN PERMISSION										
QUALITY SYMBOLS	AMD. DIM "Q"	EC NO: 174096	DRWN: CCTEH	CHK'D: CGTAN	REV APPR: SHLENI	GENERAL TOLERANCES (UNLESS SPECIFIED)		DIMENSION UNITS	SCALE	
						4 PLACES ±	3 PLACES ±	MM ONLY	NTS	
∇ = 0	∇ = 0					ANGULAR TOL ± 3.0 °		DRWN BY	DATE	
∇ = 0	∇ = 0					2 PLACES ± 0.25		CCTEH	2014/05/19	
∇ = 0	∇ = 0					1 PLACE ±		CHK'D BY	DATE	
∇ = 0	∇ = 0					0 PLACES ±		CGTAN	2015/04/30	
∇ = 0	∇ = 0					DRAFT WHERE APPLICABLE MUST REMAIN WITHIN DIMENSIONS		APPR BY	DATE	
∇ = 0	∇ = 0							SHLENI	2015/05/13	
∇ = 0	∇ = 0							DRAWING SIZE	THIRD ANGLE PROJECTION	
∇ = 0	∇ = 0							A3		
							molex ®			
							DDR4 DIMM 0.85MM PITCH 25 DEG. 288CKTS T/H			
							PRODUCT CUSTOMER DRAWING			
RELEASE STATUS		RELEASE DATE				SERIES	MATERIAL NUMBER	CUSTOMER		
						151080	SEE TABLE	GENERAL MARKET		
							DOCUMENT NUMBER	DOC TYPE	DOC PART	SHEET NUMBER
							SD-151080-0001	PSD	000	3 OF 5



(NON-PTH) $\varnothing 2.45 \pm 0.05$
 $\varnothing 0.12$ A B

$\varnothing 2.45 \pm 0.05$ (NON-PTH)



THIS DRAWING CONTAINS INFORMATION THAT IS PROPRIETARY TO MOLEX ELECTRONIC TECHNOLOGIES, LLC AND SHOULD NOT BE USED WITHOUT WRITTEN PERMISSION																				
QUALITY SYMBOLS	AMD. DIM "Q"	EC NO: 174096	DRWN: CCTEH	CHK'D: CGTAN	REV APPR: SHLENI	GENERAL TOLERANCES (UNLESS SPECIFIED)		DIMENSION UNITS	SCALE											
						ANGULAR TOL $\pm 3.0^\circ$		MM ONLY	NTS											
$\nabla_A = 0$						4 PLACES \pm		DRWN BY	DATE	DDR4 DIMM 0.85MM PITCH 25 DEG. 288CKTS T/H										
$\nabla_E = 0$						3 PLACES \pm		CCTEH	2014/05/19											
$\nabla_F = 0$						2 PLACES ± 0.25		CHK'D BY	DATE	PRODUCT CUSTOMER DRAWING										
$\nabla = 0$						1 PLACE \pm		CGTAN	2015/04/30											
$\nabla_C = 0$						0 PLACES \pm		APPR BY	DATE	<table border="1"> <tr> <td>SERIES</td> <td>MATERIAL NUMBER</td> <td>CUSTOMER</td> </tr> <tr> <td>151080</td> <td>SEE TABLE</td> <td>GENERAL MARKET</td> </tr> </table>			SERIES	MATERIAL NUMBER	CUSTOMER	151080	SEE TABLE	GENERAL MARKET		
SERIES	MATERIAL NUMBER	CUSTOMER																		
151080	SEE TABLE	GENERAL MARKET																		
$\boxtimes = 0$						DRAFT WHERE APPLICABLE MUST REMAIN WITHIN DIMENSIONS		DRAWING SIZE	THIRD ANGLE PROJECTION	<table border="1"> <tr> <td>DOCUMENT NUMBER</td> <td>DOC TYPE</td> <td>DOC PART</td> <td>SHEET NUMBER</td> </tr> <tr> <td>SD-151080-0001</td> <td>PSD</td> <td>000</td> <td>4 OF 5</td> </tr> </table>			DOCUMENT NUMBER	DOC TYPE	DOC PART	SHEET NUMBER	SD-151080-0001	PSD	000	4 OF 5
DOCUMENT NUMBER	DOC TYPE	DOC PART	SHEET NUMBER																	
SD-151080-0001	PSD	000	4 OF 5																	
$\blacksquare = 0$								A3												
$\nabla = 0$																				

RELEASE STATUS	RELEASE DATE
----------------	--------------

9 8 7 6 5 4 3 2 1

PART NO.	VOLTAGE KEY	DIM "P"	DIM"Q"	RECOMMENDED PCB THICKNESS	PLATING OPTION	HOUSING COLOUR	LATCH COLOUR	PRODUCT SPECIFICATION	PACKAGING SPECIFICATION
151080-0001	CENTER (1.2V)	3.56	4.83	2.54	0.76µM / 30 µInch MIN GOLD ON CONTACT 2.54µM / 100 µInch MIN PURE TIN ON SOLDER TAILS 1.27µM / 50 µInch MIN NICKEL UNDERPLATE	BLACK	BLACK	PS-151080-0001	PK-151080-0001
151080-0101		2.67	3.18	1.70~1.80		BLACK	BLACK		
151080-0102						BLACK	NATURAL		

E
D
C
B
A

E
D
C
B
A

THIS DRAWING CONTAINS INFORMATION THAT IS PROPRIETARY TO MOLEX ELECTRONIC TECHNOLOGIES, LLC AND SHOULD NOT BE USED WITHOUT WRITTEN PERMISSION														
QUALITY SYMBOLS 	AMD. DIM "Q" EC NO: 174096 DRWN: CCTEH CHK'D: CGTAN REV APPR: SHLENI	GENERAL TOLERANCES (UNLESS SPECIFIED) ANGULAR TOL ± 3.0 °		DIMENSION UNITS MM ONLY	SCALE NTS									
		4 PLACES ±	3 PLACES ±	2 PLACES ± 0.25	1 PLACE ±							0 PLACES ±	DRWN BY CCTEH	DATE 2014/05/19
		DRAFT WHERE APPLICABLE MUST REMAIN WITHIN DIMENSIONS		DRAWING SIZE A3	THIRD ANGLE PROJECTION 	PRODUCT CUSTOMER DRAWING								
				SERIES 151080	MATERIAL NUMBER SEE TABLE	CUSTOMER GENERAL MARKET								
				DOCUMENT NUMBER SD-151080-0001		DOC TYPE PSD	DOC PART 000	SHEET NUMBER 5 OF 5						

RELEASE STATUS	RELEASE DATE
----------------	--------------

9 8 7 6 5 4 3 2 1

FORMAT: master-ib-prod-A3
REVISION: 0
DATE: 2015/12/14