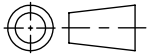
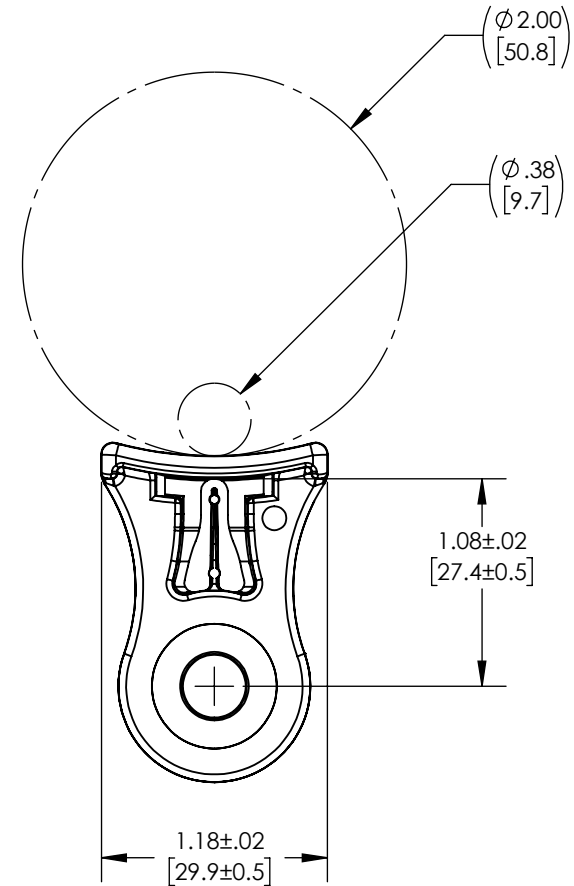
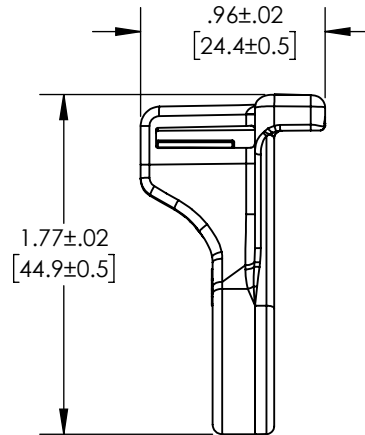
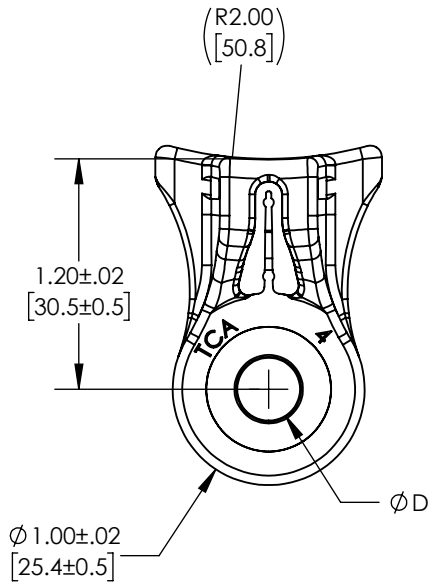
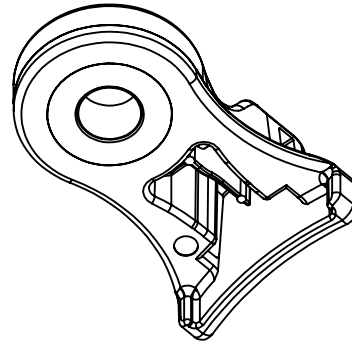
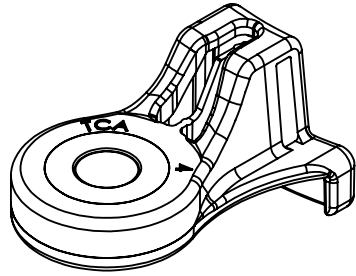


SW



Revision level			Revision Record	Changed	Date	Approved	Date
Drawing	State	Part					
01.1	Design Release	-	SEE ECN# 014960	CTF	02/27/2019	KAC	02/27/2019



- FEATURES:
- METAL BUSHING WITHSTANDS 114 lb-ft (155 N-m) OF TORQUE APPLIED TO FASTENER
 - 200 lb LOAD ASSEMBLY STRENGTH PERPENDICULAR TO BOLT AXIS

TYPE NAME	Ø D ±.010	BOLT SIZE
SAM320B-R	.327 [8.31mm]	5/16" & 8mm
SAM400B-R	.405 [10.29mm]	3/8" & 10mm
SAM500B-R	.510 [12.95mm]	1/2" & 12mm

Material
PA66HIRHSUV
 COLOR: BLACK
 METAL BUSHING, ROHS
 COMPLIANT

Units: **inches**
 Dimension without
 tolerances details to:
 .xxxx = ±.0005
 .xxx = ±.005
 .xx = ±.01
 .x = ±.03
 None = ±.06
 < = ±0.5°
 Dimension Formatted in/[mm]

The copyright of this
 drawing is reserved by
 HellermannTyton. It is
 issued on condition that it is
 not reproduced, copied, or
 disclosed to a third party,
 either wholly or in part,
 without the consent of
 HellermannTyton.

Drawn CTF 10/04/17
 Approved KAC 10/04/17

HellermannTyton
 North America
 Email: corp@htamericas.com
 Web: www.hellermann.tyton.com

Article/Type-No SEE TABLE
 Title AXIAL MOUNT WITH METAL BUSHING -
 ROHS COMPLIANT
 Drawing-No PRODUCTION : Phase
17-2117-002-CSU

Scale 1:1
 Project Number PRP 17-2117
 Format AH
 Sheet 1/1