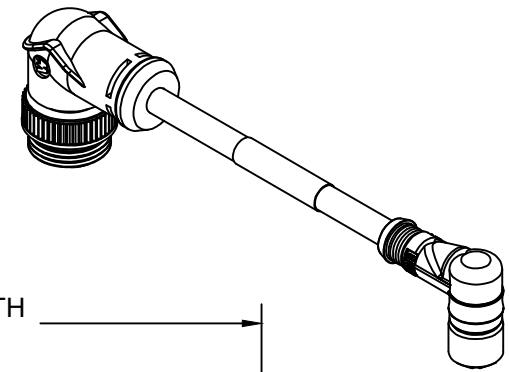


SAP P/N #	ENGINEERING P/N	FINISHED LENGTH
1300390187	DND39A-M005	0.5M [1FT 8 IN]
1300390621	DND39A-M150	15M [49FT 3 IN]
1300390623	DND39A-M300	30M [98FT 5 IN]

PART NUMBER LEGEND

DND39A-M002

LENGTH:
M005= 0.5 METER
M010= 1 METER
M100= 10 METER

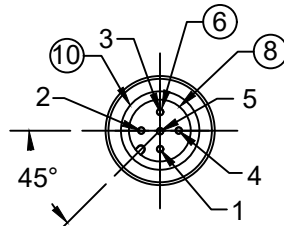
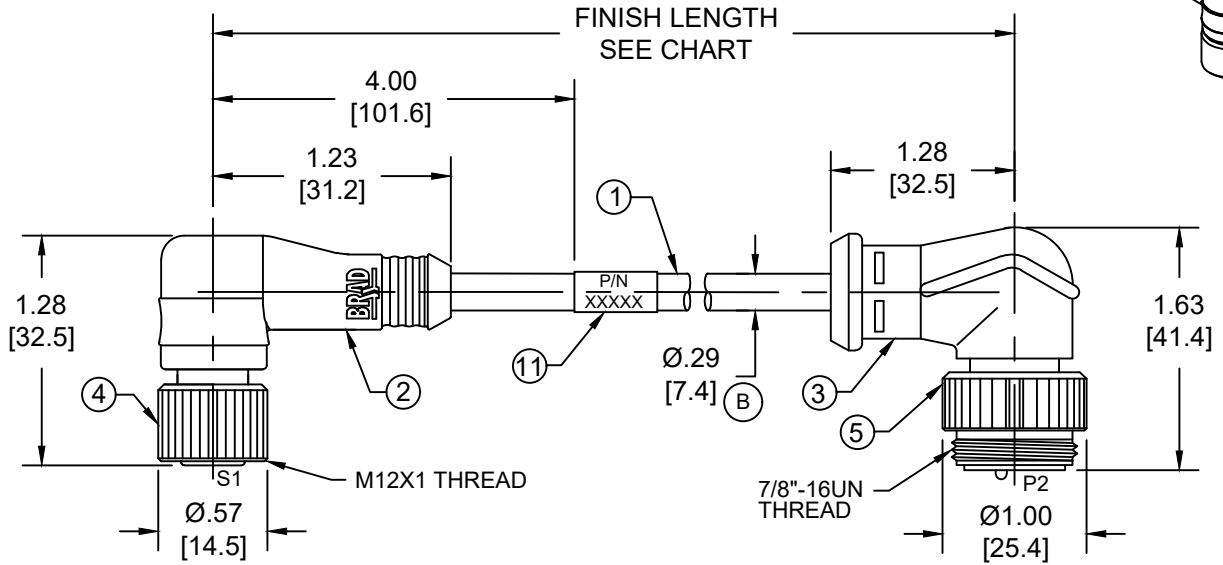


CABLE LENGTH TOLERANCES

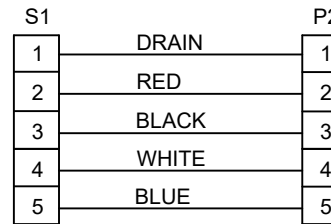
<.3M [1FT]:	+19mm-0 [+ .75in-0]
.3 - .9M [1 - 3FT]:	+44.5mm-0 [+1.75in-0]
.9 - 1.8M [3 - 6FT]:	+55.6mm-0 [+2.19in-0]
1.8 - 3.7M [6 - 12FT]:	+88.9mm-0 [+3.50in-0]
3.7 - 7.3M [12 - 24FT]:	+165.1mm-0 [+6.50in-0]
7.3-14.6M [24 - 48FT]:	+317.5mm-0 [+12.50in-0]
14.6 - 30.5M [48-100FT]:	+622.3mm-0 [+24.50in-0]
OVER 30M [100FT]	+2% OF FINISHED LENGTH

NOTES:

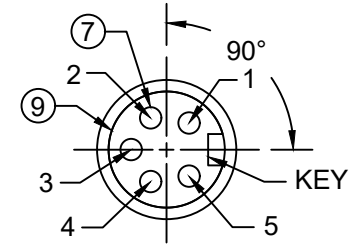
- MATERIAL: SEE TABLE
- FINISH: SEE TABLE
- ELECTRICAL:
VOLTAGE: 250V
CURRENT: 4A
- TEMP RATING: -20°C TO +80°C
- PROTECTION: IP67 (WHEN MATED)
- UL LISTED FILE: E152210
CSA CERTIFIED FILE: LR6837
- ALL DIMENSIONS ARE FOR REFERENCE UNLESS TOLERANCED OR NOTED OTHERWISE



FEMALE FACE VIEW



WIRING DIAGRAM



MALE FACE VIEW

11	WRAP LABEL	VINYL	BLACK/YELLOW
10	O-RING	NITRILE	RED
9	INSERT(MINI)	TPE	BLACK
8	INSERT(MICRO)	NYLON	BLACK
7	PIN CONTACT	COPPER ALLOY	GOLD OVER NICKEL
6	SOCKET CONTACT	COPPER ALLOY	GOLD OVER NICKEL
5	COUPLING NUT(MINI)	ZINC DIE-CAST	BLACK E-COAT
4	COUPLING NUT(MICRO)	ZINC DIE-CAST	BLACK E-COAT
3	OVERMOLD(MINI)	TPC	GRAY
2	OVERMOLD(MICRO)	TPC	GRAY
1	DEVICENET DROP CABLE	PVC JACKET	GRAY
ITEM	COMPONENT	MATERIAL	FINISH

FUNCTIONAL SYMBOLS												THIS DRAWING CONTAINS INFORMATION THAT IS PROPRIETARY TO MOLEX ELECTRONIC TECHNOLOGIES, LLC AND SHOULD NOT BE USED WITHOUT WRITTEN PERMISSION											
DIMENSION UNITS				SCALE				CURRENT REV DESC: ITEM-2, 3 & 9 WERE PVC. ADDED ITEM-10, TOL CHART, PN LEGEND, UL, CSA AND CABLE DIA. MODIFIED PN CHART															
INCH/MM				NTS				EC NO: 720800															
GENERAL TOLERANCES (UNLESS SPECIFIED)												DRWN: ABENJAMINLW 2022/07/28				mini-micro change devicenets, A-size-m12, 5 pole, male 90deg -female 90deg, single key, #22/4 awg							
DIVISIONAL SYMBOLS												CHK'D: RSTONE 2022/09/09											
4 PLACES ±----												APPR: BWOODMAN 2022/09/09				PRODUCT CUSTOMER DRAWING							
3 PLACES ±----												INITIAL REVISION:				DOCUMENT NUMBER							
2 PLACES ±----												DRWN: TWOLDEGE 2010/01/11				SD-130039-023							
1 PLACE ±----												APPR: JFMURPHY 2010/01/20				DOC TYPE/DOC PART/REVISION							
0 PLACES ±----												THIRD ANGLE PROJECTION				PSD 001 B							
ANGULAR TOL ± ---- °												DRAWING				MATERIAL NUMBER							
DRAFT WHERE APPLICABLE MUST REMAIN WITHIN DIMENSIONS												A-SIZE				CUSTOMER							
												SERIES				GENERAL MARKET							
												130039				SHEET NUMBER							
																1 OF 1							

DOCUMENT STATUS	P1	RELEASE DATE	2022/09/09	18:08:08
-----------------	----	--------------	------------	----------