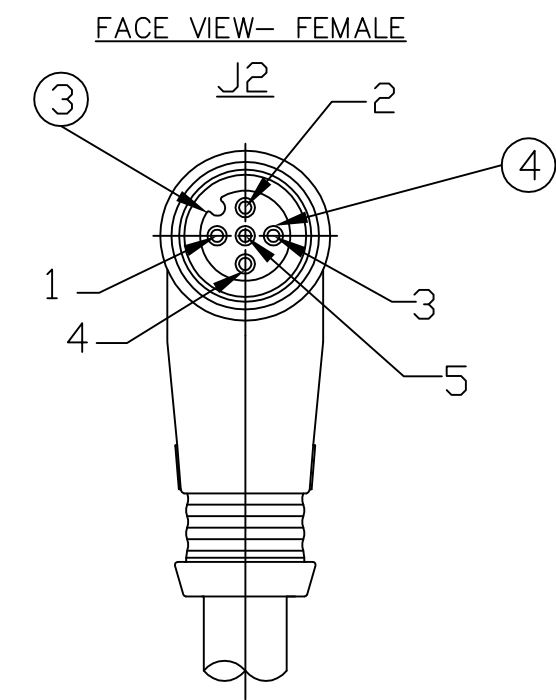
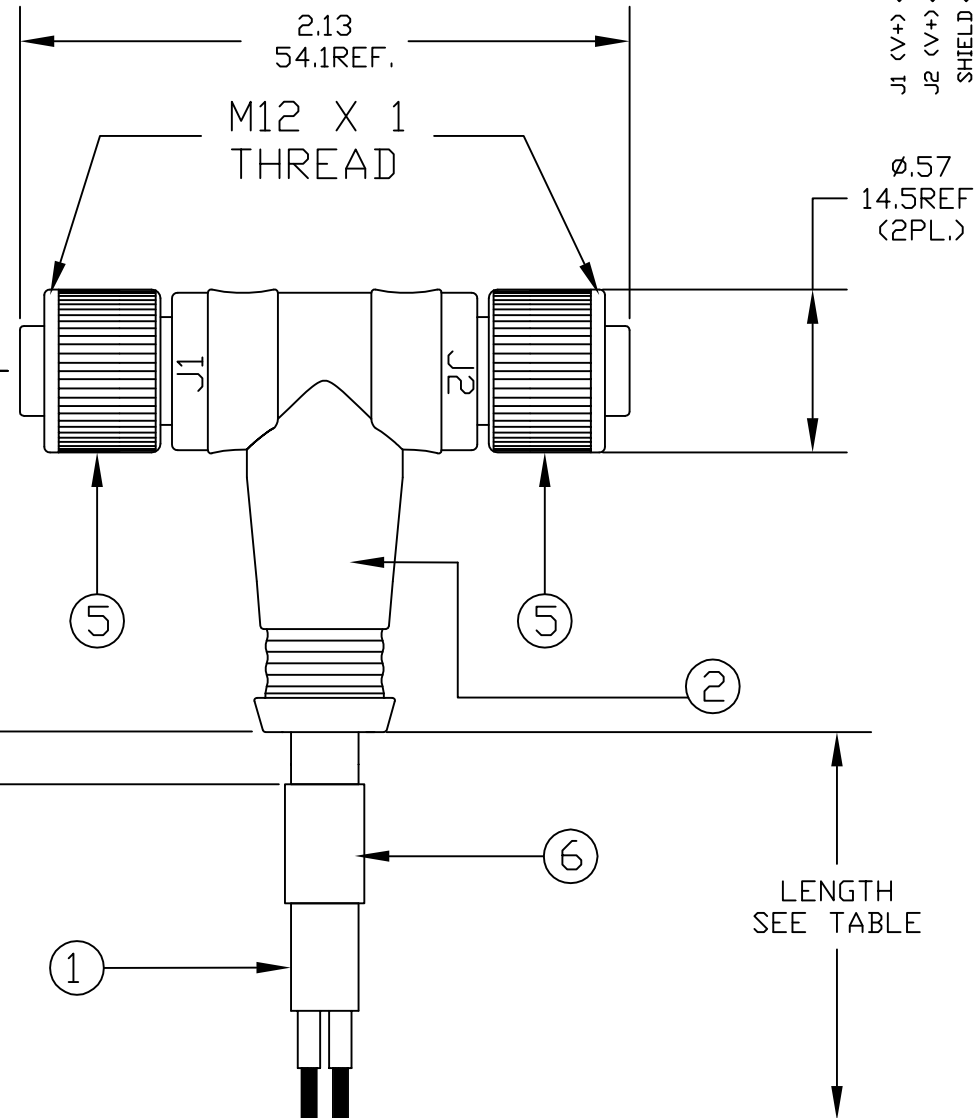
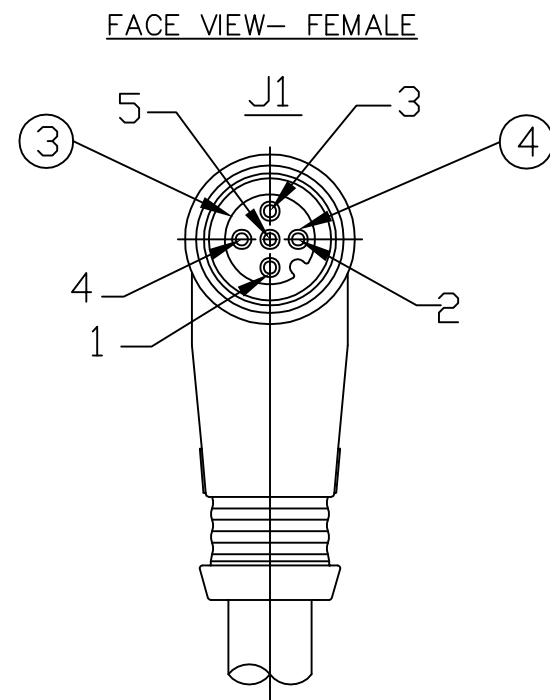
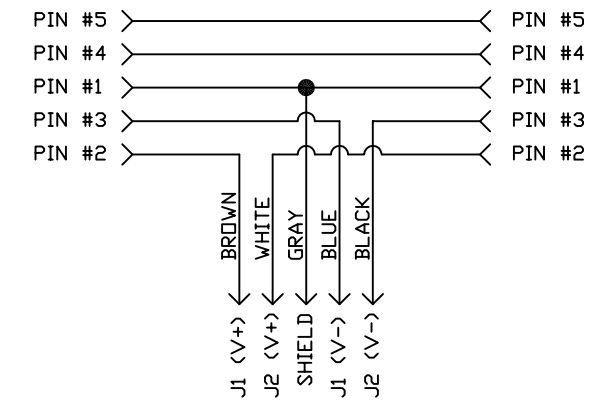


MATERIAL NO.	LENGTH	OVERALL LENGTH (REF.)
848639001	3FT. +1.75IN.-0IN. [.92M +44.5mm/-0mm]	3.25 FT. [.99M]
848639002	16FT. +6.50IN.-0IN. [4.88M +165.1mm/-0mm]	16.65 FT. [5.08M]
848639003	32FT. +12.50IN.-0IN. [9.76M +317.5mm /-0mm]	33.15 FT. [10.11M]

WIRING SCHEMATIC

PIN #	WIRE
1	GRAY (SHIELD)
2	WHITE J2 (V+)
3	BLACK J2 (V-)
4	RED (CAN H)
5	YELLOW (CAN L)



NOTE:  
ASSEMBLY IS RoHS COMPLIANT

ØAL  
SEE TABLE

LENGTH  
SEE TABLE

ITEM	QTY	DESCRIPTION	MATERIAL	FINISH
6	1	WRAP LABEL	VINYL	YELLOW/BLACK
5	2	COUPLING NUT	BRASS	NICKEL PLATED
4	10	CONTACT SOCKET	BRASS	GOLD PLATED
3	2	INSERT	NYLON	BLACK
2	1	OVER MOLD	PVC	YELLOW
1	1	#22 5/C CABLE	PVC JACKET	YELLOW

RELEASE  
EC NO: WNA2008-0363  
DRWN: TWOLDEGE 2008/06/17  
CHKD: RSTONE  
APPR: JFMURPHY 2008/07/08

QUALITY SYMBOLS  
▽=0  
▽C=0

GENERAL TOLERANCES (UNLESS SPECIFIED)	
	INCH
4 PLACES	±----
3 PLACES	±----
2 PLACES	±----
1 PLACE	±----
ANGULAR ±----°	
DRAFT WHERE APPLICABLE MUST REMAIN WITHIN DIMENSIONS	

DIMENSION STYLE	
IN/MM	
DRAWN BY	DATE
TWOLDEGE	2008/06/17
CHECKED BY	DATE
RSTONE	---
APPROVED BY	DATE
JFMURPHY	---
MATERIAL NO.	DOCUMENT NO.
	SD-84863-001

SCALE	DESIGN UNITS	THIRD ANGLE PROJECTION
1:1	INCH	
TITLE		
MICRO CHANGE PWR TAP FEMALE TEE L&R #22AWG YELLOW PVC		
MOLEX INCORPORATED		SHEET NO.
SD-84863-001		1 OF 1
THIS DRAWING CONTAINS INFORMATION THAT IS PROPRIETARY TO MOLEX INCORPORATED AND SHOULD NOT BE USED WITHOUT WRITTEN PERMISSION		