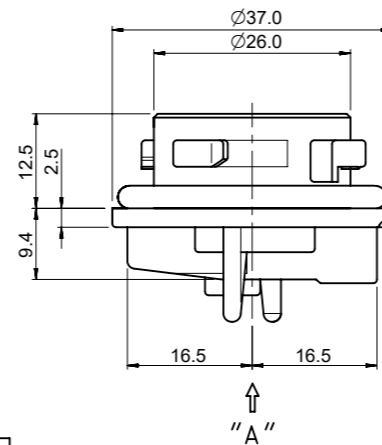
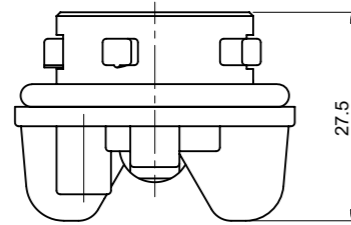
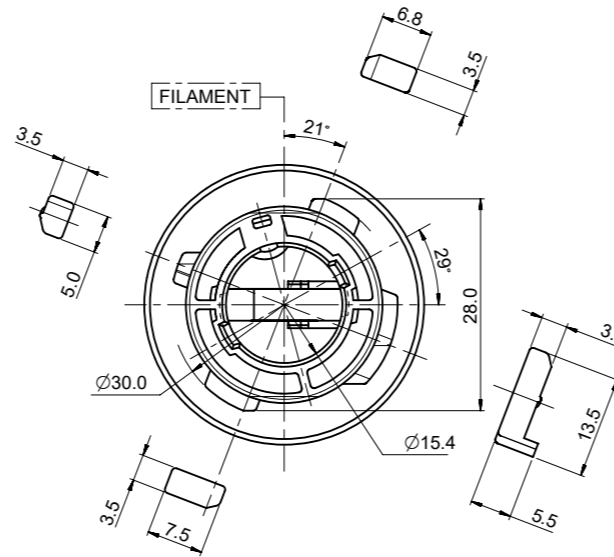
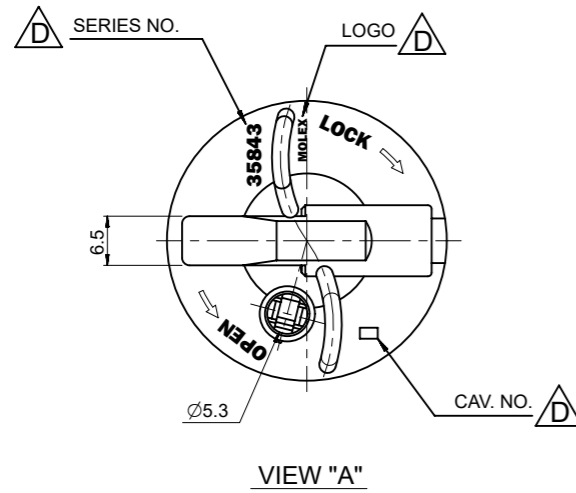


- NOTES
1. FOCAL LENGTH =31.8mm
  2. PRODUCT SPECIFICATION: PS-35842-001
  3. APPLICABLE BULB CAP: P21W(BA15s)
  4. MATES WITH

NO.	DESCRIPTION	MATERIAL	ORDER NO.	REMARK
③	POSITIVE TERMINAL	PHOSPHOR BRONZE	35464-8000	UNPLATED
④	POSITIVER WIRE SEAL	SILICONE	35903-0096	BROWN
⑤	EARTH TERMINAL	PHOSPHOR BRONZE	35465-8000	UNPLATED
⑥	EARTH WIRE SEAL	SILICONE	35903-0106	BLUE

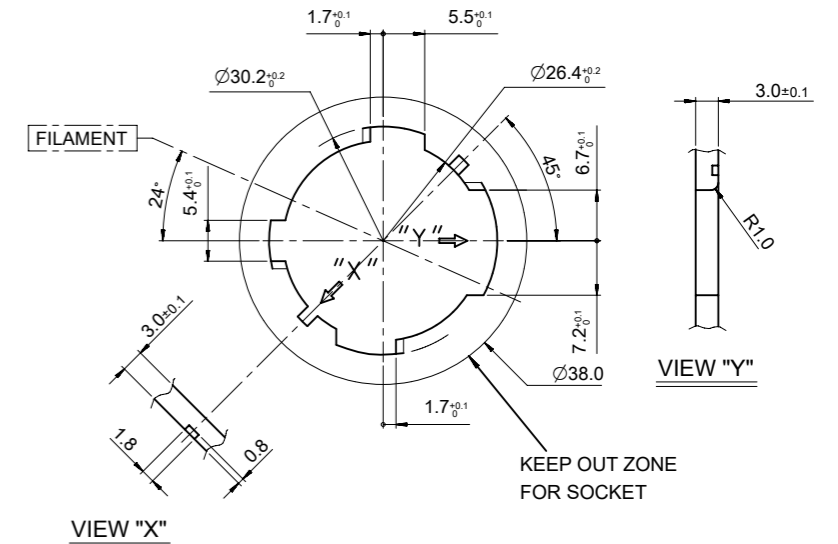
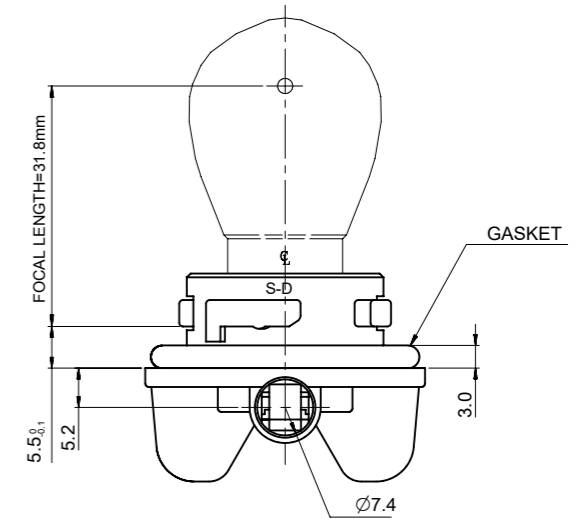
<PART LIST>

NO.	DESCRIPTION	MATERIAL	USAGE	REMARK
①	SINGLE SOCKET	PA66 M/F	1	D TYPE
②	SEAL GASKET	NBR	1	BLACK

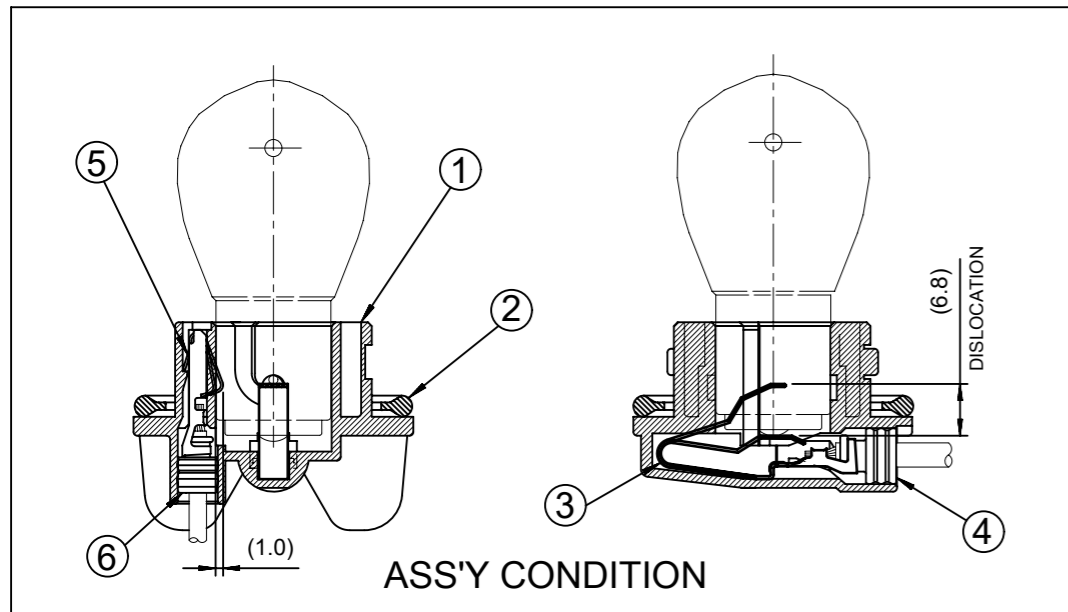


<TABLE 1>

MATERIAL NO.	ORDER NO.	COLOR
358431240	35843-1240	NATURAL
358431245	35843-1245	GRAY
358431246	35843-1246	WHITE
358431247	35843-1247	BROWN



**MOUNTING INTERFACE (MI-4)**



THIS DRAWING CONTAINS INFORMATION THAT IS PROPRIETARY TO MOLEX ELECTRONIC TECHNOLOGIES, LLC AND SHOULD NOT BE USED WITHOUT WRITTEN PERMISSION

DIMENSION UNITS	SCALE	CURRENT REV DESC: RETRACTED PART NUMBER AS PER SALES FORCE CASE#210635	<b>molex</b>		
mm	1:1				
GENERAL TOLERANCES (UNLESS SPECIFIED)			SEALED PT BULB SOCKET SINGLE HOUSING ASS'Y (D-TYPE)		
			PRODUCT CUSTOMER DRAWING		
4 PLACES ±	MM	INCH	EC NO: 674442	2021/08/18	DOCUMENT NUMBER
3 PLACES ±			DRWN: SUGEEB		DOC TYPE
2 PLACES ± 0.15			CHK'D: GGA	2021/09/08	DOC PART
1 PLACE ± 0.25			APPR: GGA	2021/09/08	REVISION
0 PLACES ±			INITIAL REVISION:		
ANGULAR TOL ± 2.0°			DRWN: YSIKKIM	1999/06/08	SD-35843-004
			APPR: CWLEE	1999/06/08	PSD 001 F
DRAFT WHERE APPLICABLE MUST REMAIN WITHIN DIMENSIONS	THIRD ANGLE PROJECTION	DRAWING	SERIES	MATERIAL NUMBER	CUSTOMER
		A3-SIZE	35843	SEE TABLE 1	GENERAL MARKET
					SHEET NUMBER
					1 OF 1