

DO NOT SCALE DRAWING
DIMENSION IN METRIC

B

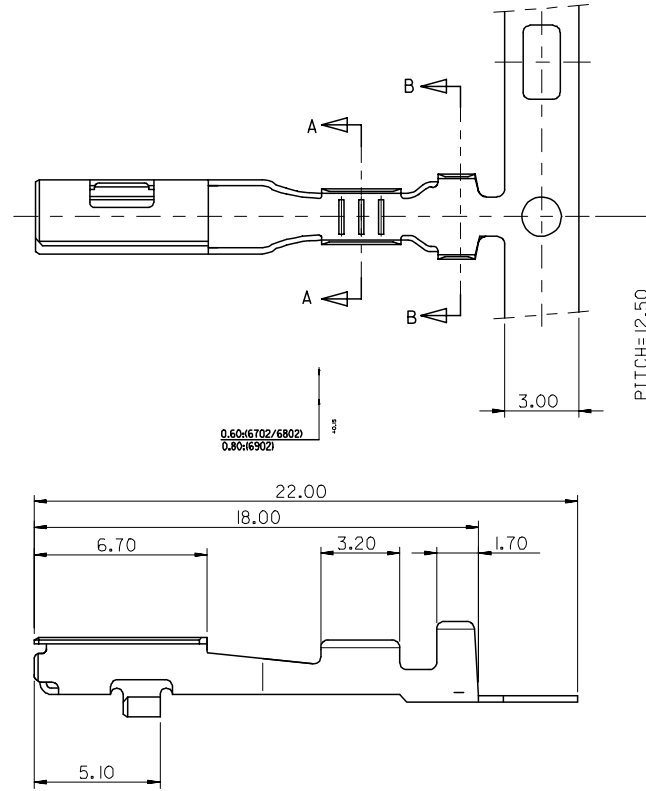
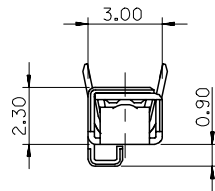
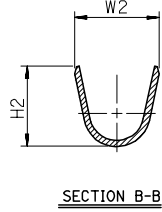
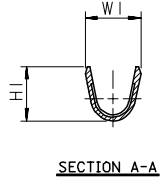
C

PROJECT NO.

SIMILAR ITEM

DWG. IO.
SD-3542I-001

ENG.NO	DESCRIPTION	DIMENSION				WIRE RANGE mm ²
		W1	H1	W2	H2	
3542I-6702	UNICONN FEMALE TERMINAL (S)	2.1	2.2	3.4	3.25	AVS(CAVS) 0.3,0.5
3542I-6802	UNICONN FEMALE TERMINAL (M)	2.6	2.95	4.0	3.8	AVS(CAVS) 0.5,0.85,1.25
3542I-6902	UNICONN FEMALE TERMINAL (L)	3.6	4.0	4.3	3.9	AVSS 2f



NOTE
 1. MATERIAL : COPPER ALLOY, ±=0.25.
 2. FINISH : PRE-TIN PLATE.
 3. INSERTION-EXTRACTION FORCE WITH TAB TERMINAL P/N 35420.
 INSERTION FORCE : 0.30±1.0 Kgf.
 AFTER SIX TIMES OF INSERTION & EXTRACTION FORCE : 0.15±1.0 Kgf.

REVISED EC NO. KOR2005-0169 DRAWN: S.M.KIM 05/02/28 CHK: B.C.YOON 05/02/28 APPR: C.W.LEE	DESCRIPTION	QUALITY SYMBOLS	GENERAL TOLERANCES: (UNLESS SPECIFIED)		SCALE 5:1	DESIGN UNITS <input checked="" type="checkbox"/> MM <input type="checkbox"/> INCH	THIRD ANGLE PROJECTION	DIMENSIONS: <input type="checkbox"/> MM <input type="checkbox"/> INCH <input type="checkbox"/> MM <input checked="" type="checkbox"/> ONLY		SHT	REV
		MAJOR =	mm	INCH	DRAWN BY & DATE Y.SIK.KIM 97/12/03	TITLE: UNICONN FEMALE TERMINAL					
REV	C	CRITICAL =	4 PLACES	±0.	±.	CHECKED BY & DATE B.K.CHOI 97/12/03	MOLEX INCORPORATED				
			3 PLACES	±0.	±.	APPROVED BY & DATE C.W.LEE 97/12/03	MATERIAL NO. SEE TABLE	DRAWING NO. SD-3542I-001	SHEET NO. 10F1		
			2 PLACES	±0.	±.	CAD FILENAME SD3542I.DGN					
			1 PLACE	±0.3	±.	THIS DRAWING CONTAINS INFORMATION THAT IS PROPRIETARY TO MOLEX INCORPORATED AND SHOULD NOT BE USED WITHOUT WRITTEN PERMISSION.			SIZE B		
			ANGULAR: ± °		DRAFT WHERE APPLICABLE MUST REMAIN WITHIN DIMENSIONS						

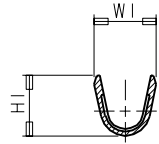
MX-A3

ENG. NO.

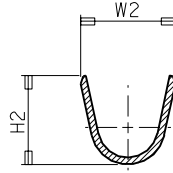
EDP NO.

SIMILAR ITEM

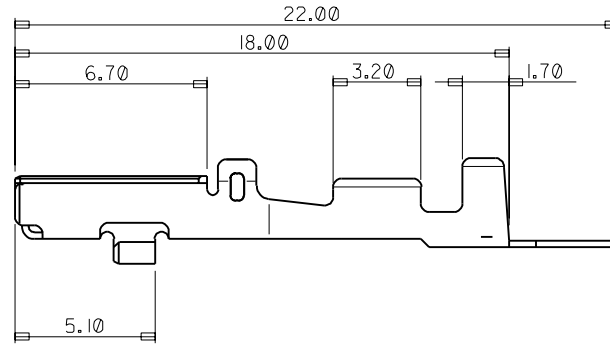
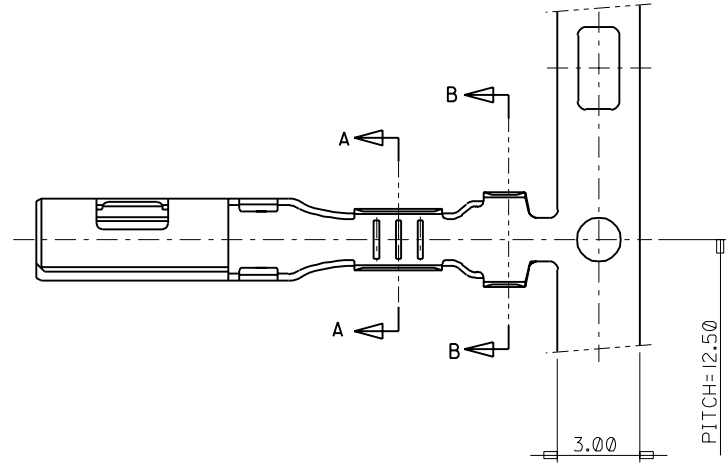
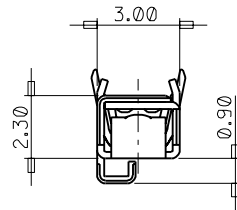
PROJECT NO.



SECTION A-A



SECTION B-B



ENG.NO	DESCRIPTION	DIMENSION				WIRE RANGE mm ²
		W1	H1	W2	H2	
35421-6702	UNICONN FEMALE TERMINAL (S)	2.1	2.2	3.4	3.25	AVS(CAVS) 0.3,0.5
35421-6802	UNICONN FEMALE TERMINAL (M)	2.6	2.95	4.0	3.8	AVS(CAVS) 0.5,0.85,1.25
35421-6902	UNICONN FEMALE TERMINAL (L)	3.6	4.0	4.3	3.9	AVSS 2f

				MATERIAL PRE-TIN PLATED COPPER ALLOY 0.25t		MOLEX-KOREA CO.,LTD.	
				GENERAL TOLERANCE DIMENSION : +0.30 ANGLE :		DRAWN BY Y.SIK,KIM	CHK'D BY
				DIMENSION CLASSIFICATION ▽ : CRITICAL ▼ : MAJOR () : REFERENCE		APP'D BY	SCALE 6:1
A	NEW RELEASE	KOR 97-0162	97.12.03	ASS'Y PART		TITLE: UNICONN	
LTR	REVISION RECORD	ECN	DATE	DESCRIPTION/ ENG. NO.		FEMALE TERMINAL	
REVISE ONLY ON CAD SYSTEM						ENG. NO. SD 35421-6*02	SHEET 1/1 REV A