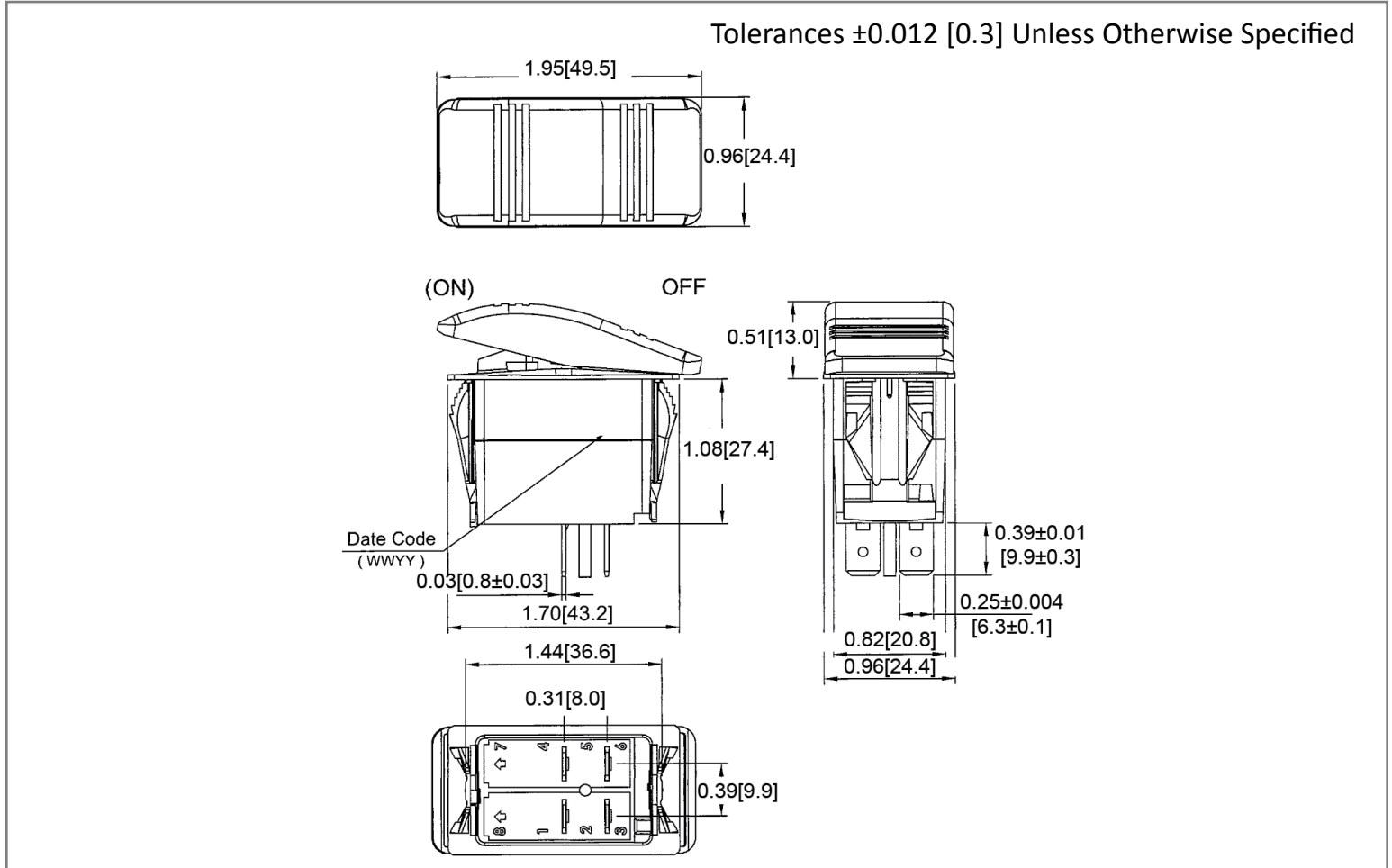
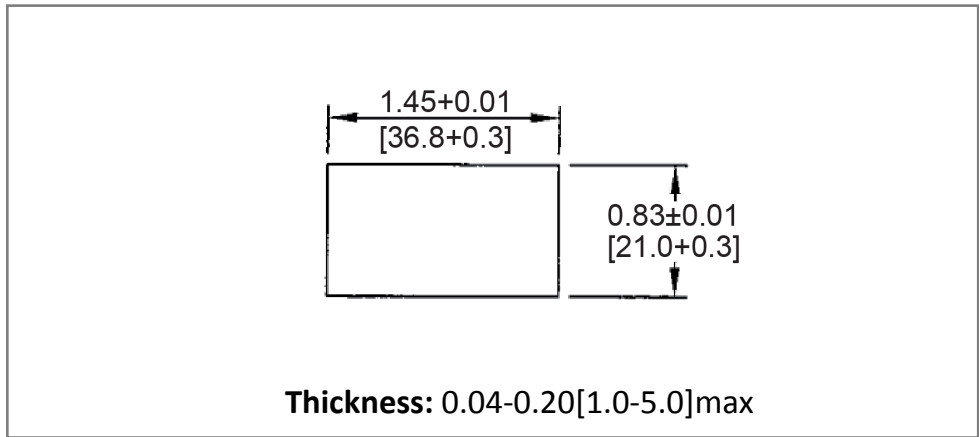


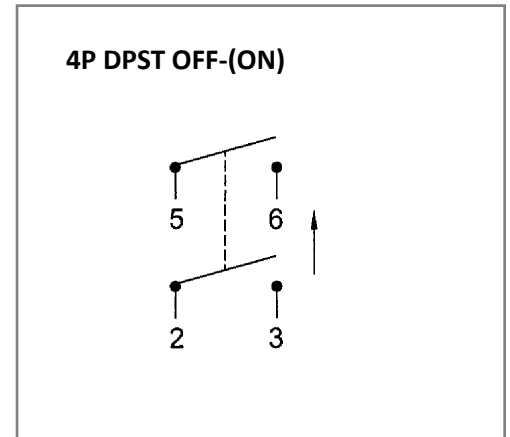
**Mechanical Dimensions: Inches [mm]**



**Mounting Hole**



**Circuit Diagram**



**Electrical Specifications**

|                              |   |
|------------------------------|---|
| <b>Rating</b>                | 20A 125V AC 1/3HP,<br>10A 250V AC 3/4HP |
| <b>Contact Resistance</b>    | 50m ohm Max                             |
| <b>Insulation Resistance</b> | DC 500V 100M ohm Min                    |
| <b>Dielectric Strength</b>   | AC 1500V 1 minute                       |
| <b>Operation Temperature</b> | -25°C~85°C                              |

**Material Specifications**

|                   |                         |
|-------------------|-------------------------|
| <b>Frame</b>      | Black, Nylon 66 (94V-2) |
| <b>Actuator</b>   | Black, Nylon 66 (94V-2) |
| <b>Terminals</b>  | Silver plated copper    |
| <b>Waterproof</b> | IP56                    |

| Rev | Date of issue | Revision Notes  | Designed | Approved |
|-----|---------------|-----------------|----------|----------|
| B   | 06-25-2021    | Initial Drawing | RC       | OF       |